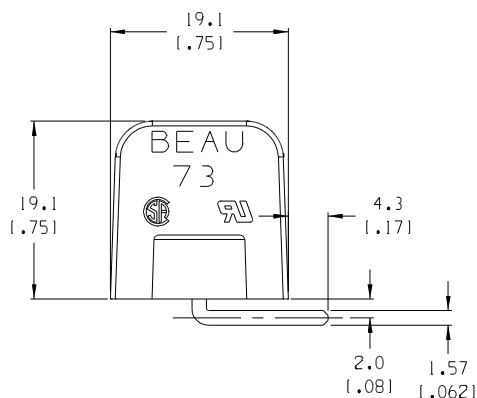
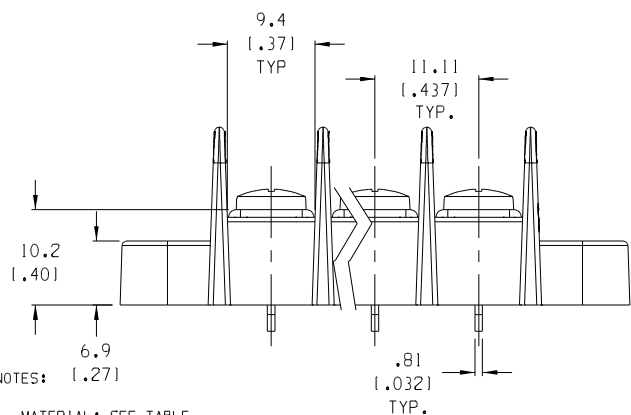


PTH PATTERN
SCALE 1:1



NUMBER OF CIRCUITS	"A" DIM.	"B" DIM.	"C" DIM.	MATERIAL NUMBER
03	54.62 (2.150)	22.23 (0.875)	44.46 (1.750)	387322103
04	65.73 (2.588)	33.34 (1.313)	55.57 (2.188)	387322104
05	76.84 (3.025)	44.45 (1.750)	66.68 (2.625)	387322105

- NOTES: (.27)
1. MATERIAL: SEE TABLE
 2. FINISHES: SEE TABLE
 3. PRODUCT SPECIFICATION: AS REQUIRED
 4. PACKAGING: NOT REQUIRED
 5. MATES WITH: NONE
 6. INCH DIMS ARE SHOWN IN PARENTHESIS (XXX)
 7. "XX" REFERS TO THE NUMBER OF CIRCUITS

ITEM	QTY.	DESCRIPTION	MATERIAL	FINISH
3	"XX"	SCREW #8-32 X .290 BINDING HEAD	STEEL	ZINC CHROMATE
2	"XX"	TERMINAL 8-32, WIRE WRAP	BRASS	TIN
1	1	INSULATOR	THERMOPLASTIC	BLACK

EC NO. RELEASED
DRAWN: JF 07-29-04
CH: K1
APPR:

DESCRIPTION
MAJOR
CRITICAL
SPC
S

QUALITY SYMBOLS
GENERAL TOLERANCES: (UNLESS SPECIFIED)
mm INCH
4 PLACES ±.0015
3 PLACES ±.038 ±.005
2 PLACES ±.13 ±.01
1 PLACE ±.3
ANGULAR: ±2°
DRAFT WHERE APPLICABLE MUST REMAIN WITHIN DIMENSIONS

SCALE 2:1
DESIGN UNITS
 mm INCH
DRAWN BY & DATE
J. FARMER 07-29-04
CHECKED BY & DATE
APPROVED BY & DATE
CAD FILENAME
738XX-A.PRT

THIRD ANGLE PROJECTION
PROJECT NO. - -
DIMENSIONS: mm INCH mm ONLY
SHT REV
REVISE ON CAD ONLY
TITLE:
SR BTS, PC, RA, -A, ASY
MOLEX INCORPORATED
MATERIAL NO. SEE CHART
DRAWING NO. SD-38732-001
SHEET NO. 1 OF 1
SIZE B

10 9 8 7 6 5 4 3 2 1

F
E
D
C
B
A