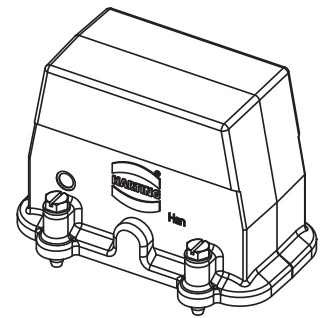
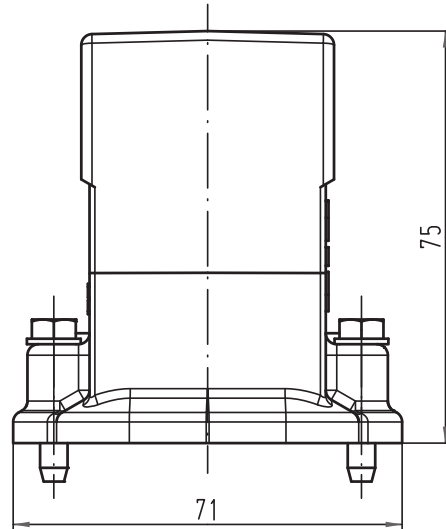
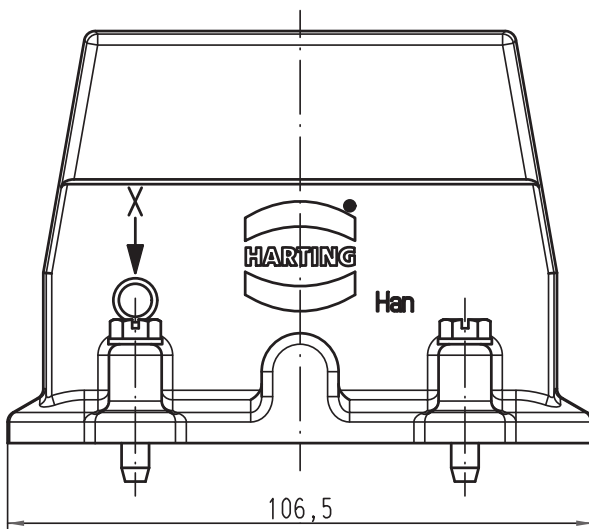
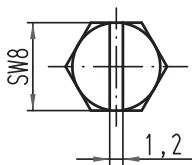


Alle Rechte vorbehalten/ All rights reserved



X (2:1)



| | | | | | | | | | |
|---|----------|------|--------------------------------|---------|----------|---|-----|-------------|--|
| All Dimensions in mm Original Size DIN A 4 | | | Techn. Character. | | | Nicht tolerierte Maß/Free size tolerances | | | |
| | | | | Dat. | Name | Maßstab/Scale | | | |
| | | | | Detail. | 02.03.10 | Rull | 1:1 | | |
| | | | | Insp. | | Sch | | | |
| | | | | Stand. | | | | | |
| B | 25.01.11 | gru | HARTING Electric GmbH & Co. KG | | | TB 09 39 016 0801 | | | |
| A | | | D-32339 Espelkamp | | | | | | |
| Mod. | Dat. | Name | | | | Sub. TB 09 39 016 0801 v. 19.09.07 | | | |
| | | | | | | | | Blatt/ page | |