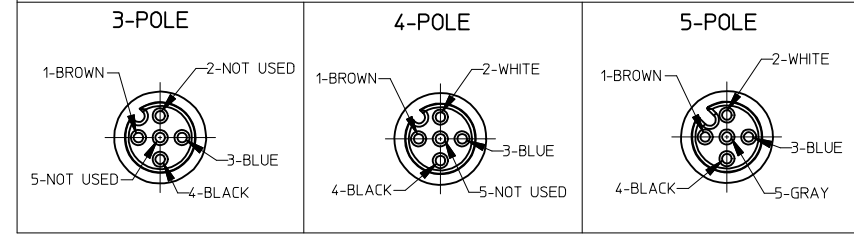


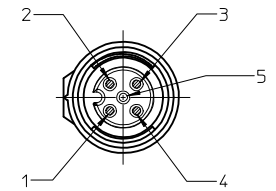
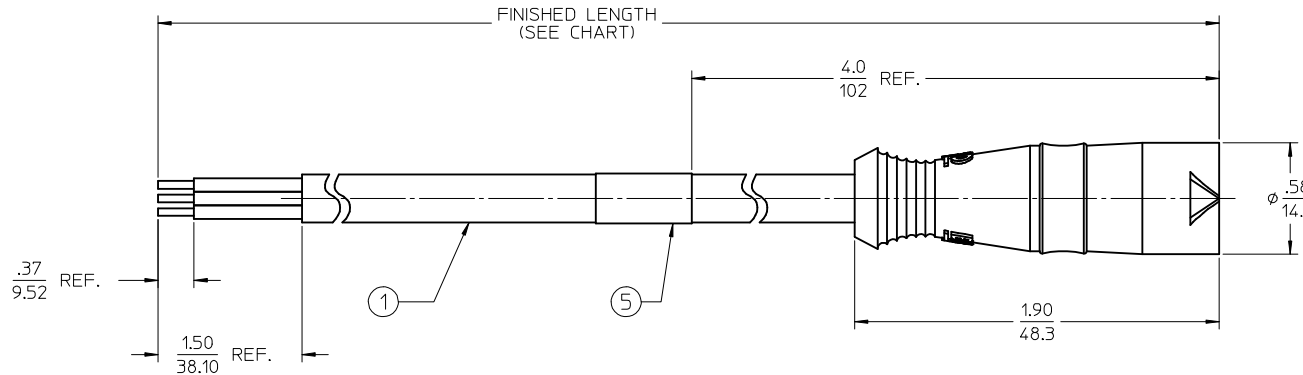
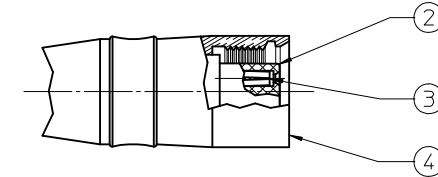
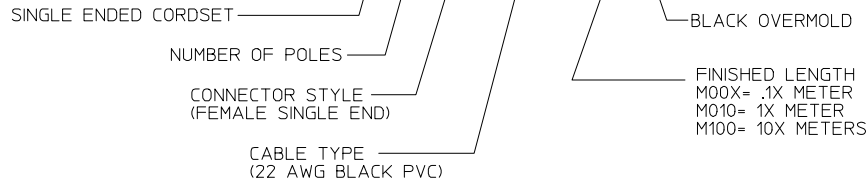
POLES	MATERIAL NO.	ENGINEERING NO.	FINISHED LENGTH
3	1200650048	N03000A41M020G	6'7" +3.50"-0 (2M +88.9mm-0)
3	1200650049	N03000A41M050G	16'5" +6.50"-0 (5M +165.1mm-0)
3	1200650050	N03000A41M100G	32'10" +12.50"-0 (10M +317.5mm-0)
4	1200650053	N04000A41M020G	6'7" +3.50"-0 (2M +88.9mm-0)
4	1200650054	N04000A41M030G	9'10" +3.50"-0 (3M +88.9mm-0)
4	1200650055	N04000A41M050G	16'5" +6.50"-0 (5M +165.1mm-0)
4	1200650056	N04000A41M100G	32'10" +12.50"-0 (10M +317.5mm-0)

FRONT VIEW - FEMALE INSERT CONFIGURATION CHART



CABLE P/N MATRIX

NOX000A41MXXXG



SEE FRONT VIEW DETAIL FOR SPECIFIC PIN-OUT FOR EACH POLE CONFIGURATION

- NOTES:
1. MATERIAL: SEE TABLE
 2. FINISHES: SEE TABLE
 3. ELECTRICAL SPECIFICATIONS
VOLTAGE RATING: 250V AC/DC
CURRENT RATING: 4 AMPS
 4. XX REFERS TO NUMBER OF CIRCUITS

5	1	WRAP LABEL	VINYL	BLACK/YELLOW
4	1	MICRO-PUSH OVERMOLD	PVC	BLACK
3	XX	CONTACT SOCKET	Cu ALLOY	GOLD PLATED
2	1	INSERT	NYLON	BLACK
1	A/R	CABLE, 22 AWG, UN SHLD	PVC JACKET	BLACK
ITEM	QTY.	DESCRIPTION	MATERIAL	FINISH

RELEASED EC NO: JPC2015-1589 DRAWNRSTONE 2015/03/09 CHKDK JOZWIK 2015/03/12 APPR: JFURPHY 2015/03/17	QUALITY SYMBOLS ▽=0 ▽=0	GENERAL TOLERANCES (UNLESS SPECIFIED)		DIMENSION STYLE IN/MM	SCALE 2:1	DESIGN UNITS INCH	THIRD ANGLE PROJECTION
		4 PLACES ± --- ± --- 3 PLACES ± --- ± --- 2 PLACES ± --- ± .01 1 PLACE ± 0.3 ± --- 0 PLACE ± --- ± ---	mm INCH DRAWN BY RSTONE DATE 2015/03/09 CHECKED BY K JOZWIK DATE 2015/03/12 APPROVED BY JFMURPHY DATE 2015/03/17	TITLE MIC PUSH-ON CABLE ASSY FEMALE STRAIGHT 22 AWG CABLE		DOCUMENT NO. SD-120065-084	
DRAFT WHERE APPLICABLE MUST REMAIN WITHIN DIMENSIONS		SEE P/N CHART		THIS DRAWING CONTAINS INFORMATION THAT IS PROPRIETARY TO MOLEX INCORPORATED AND SHOULD NOT BE USED WITHOUT WRITTEN PERMISSION			