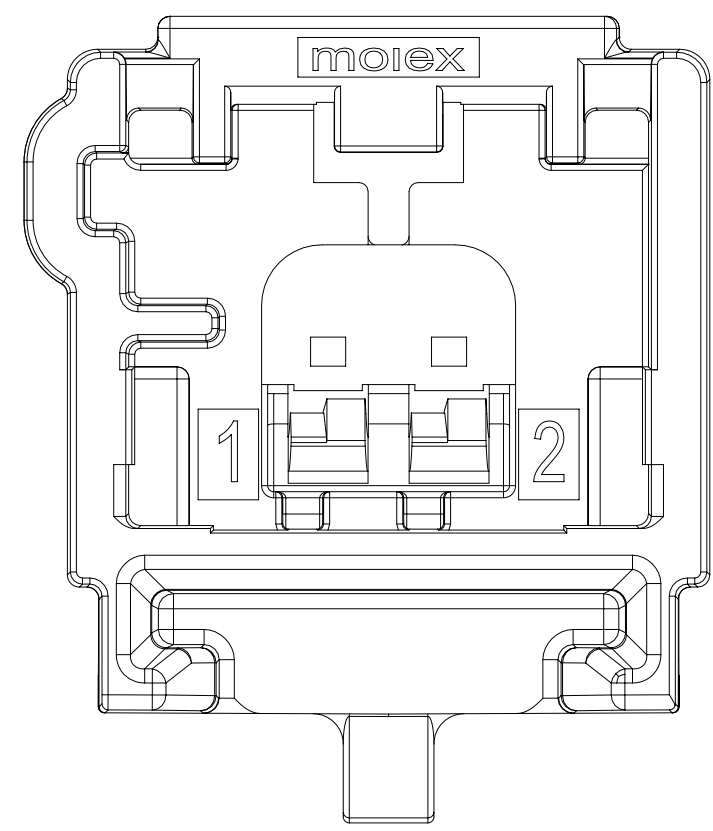
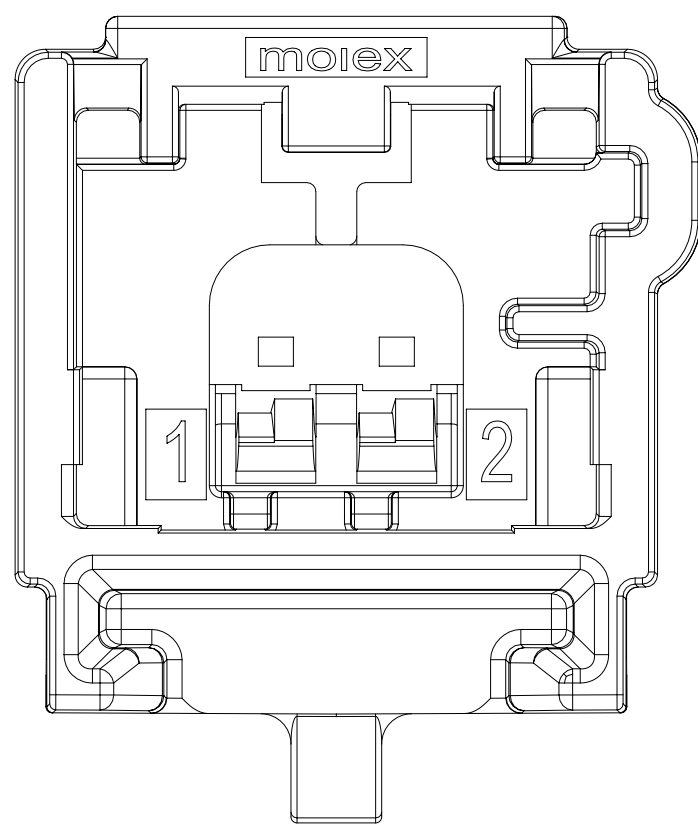


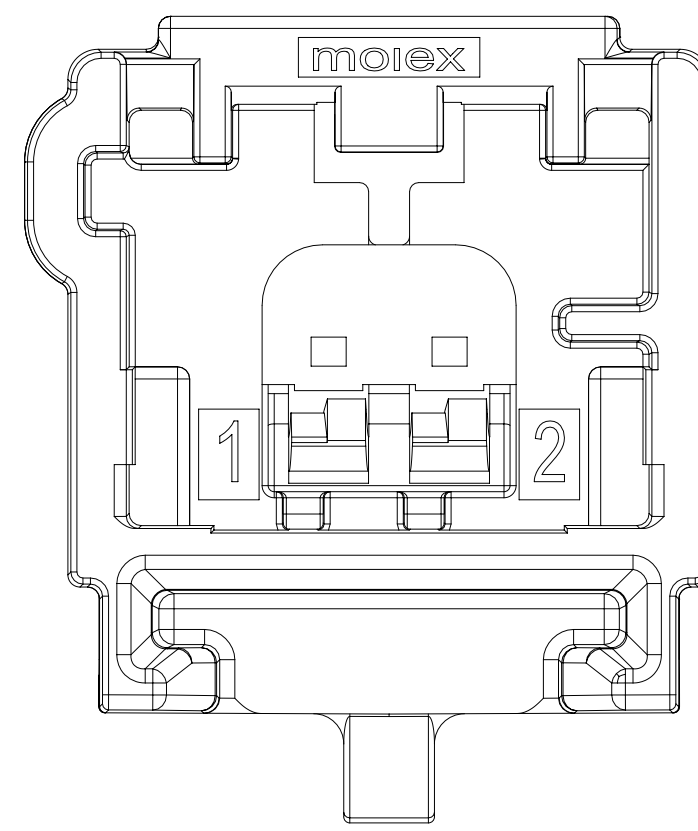
2CKT POLARIZATIONS



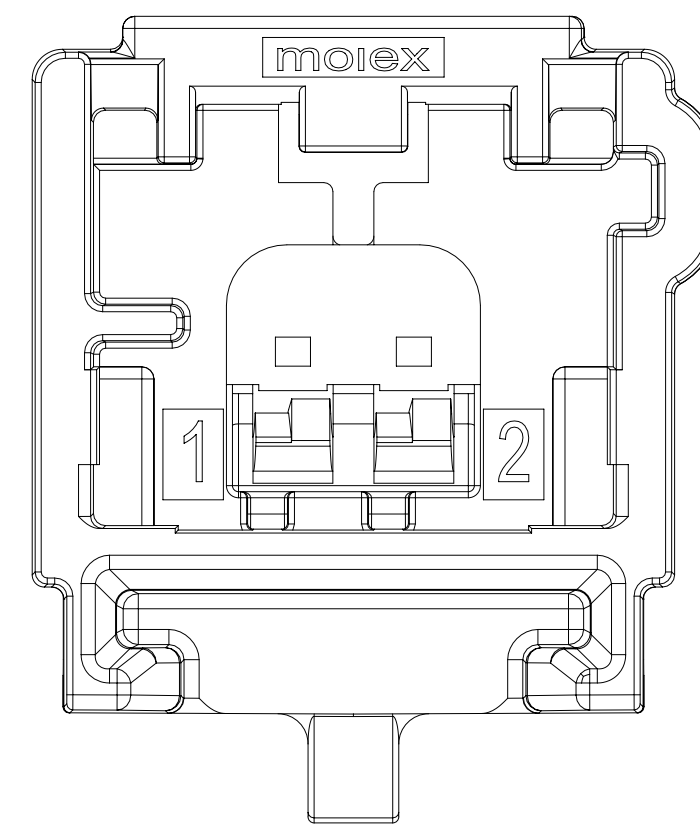
POLARIZATION A



POLARIZATION B

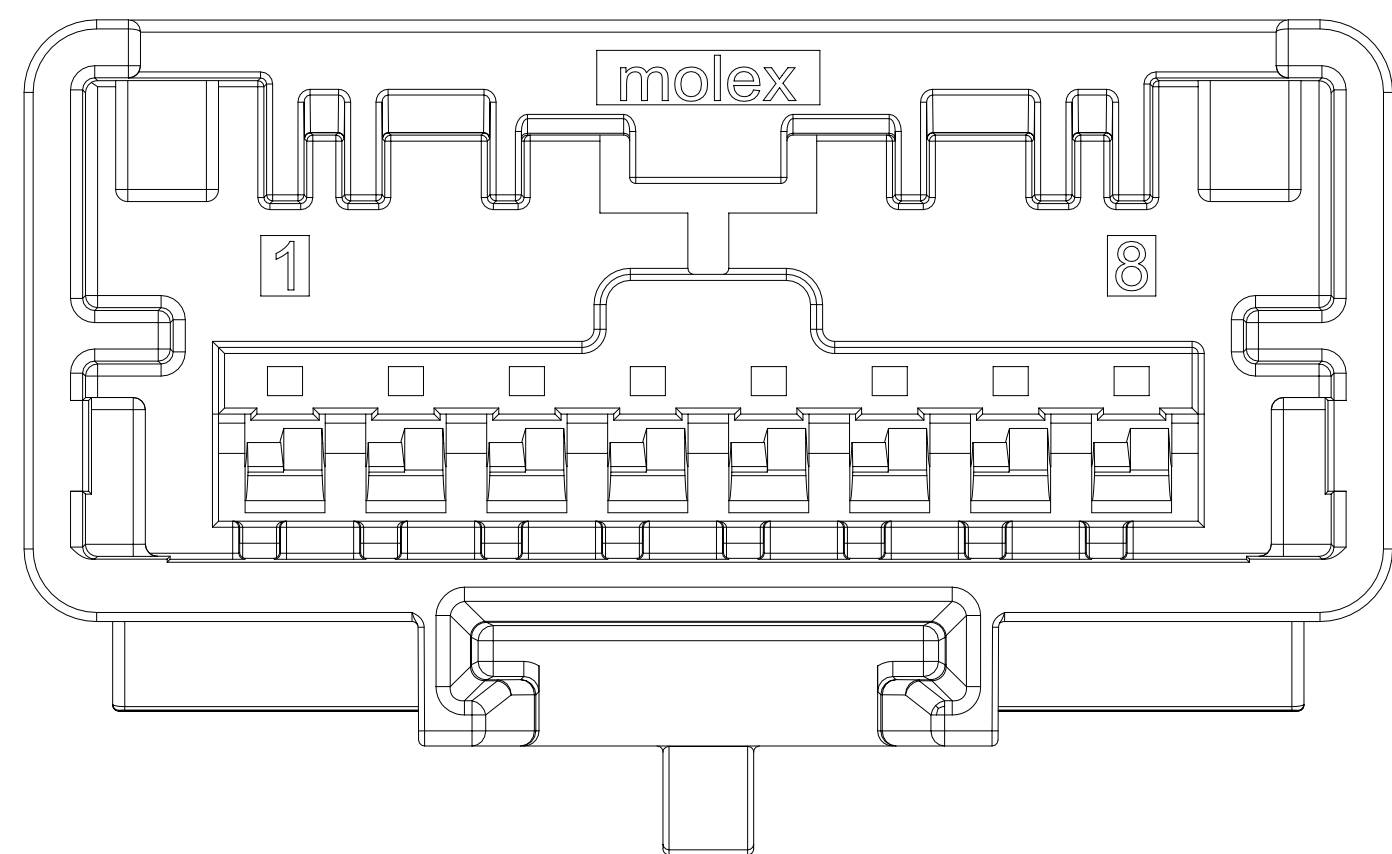


POLARIZATION C

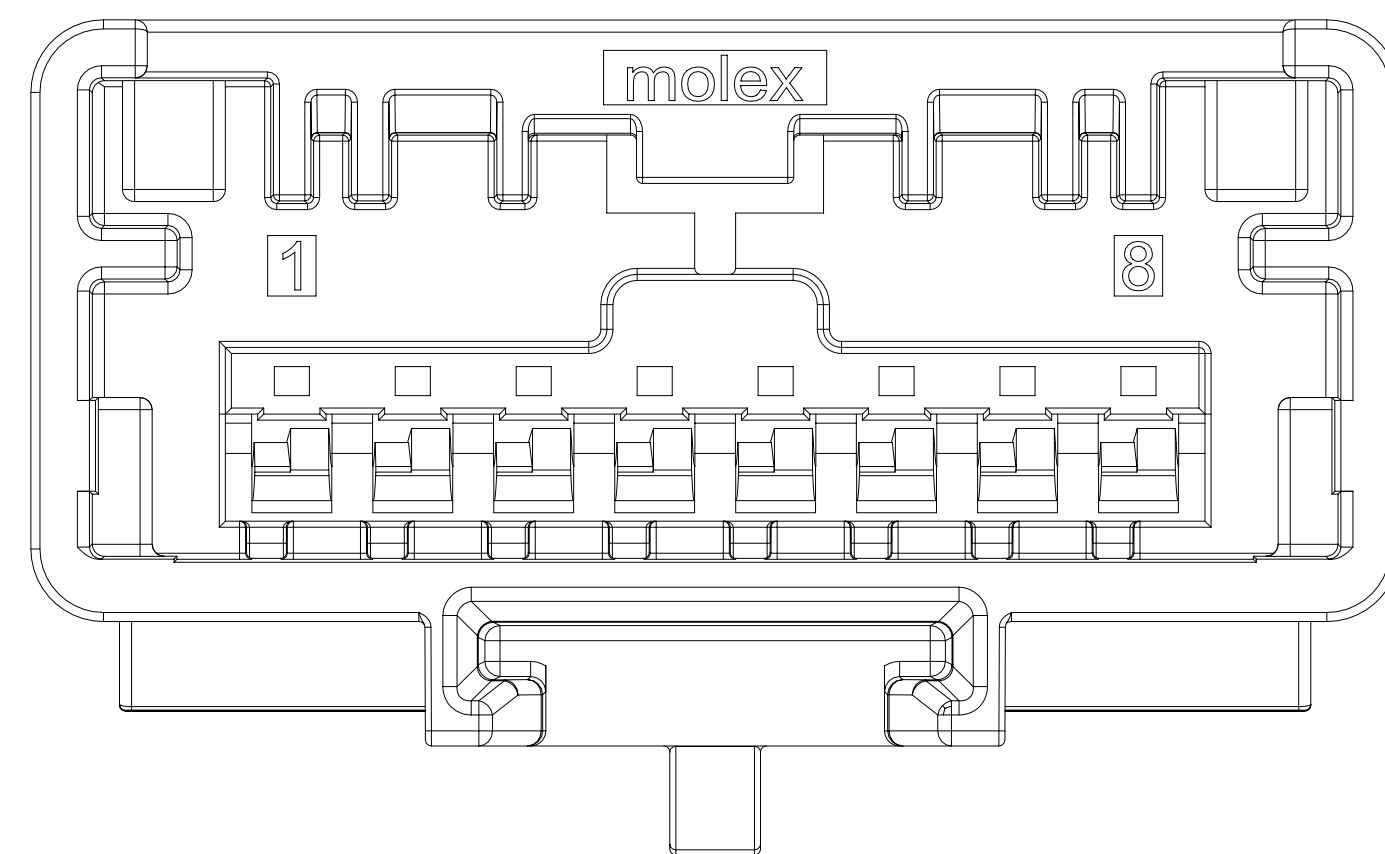


POLARIZATION D

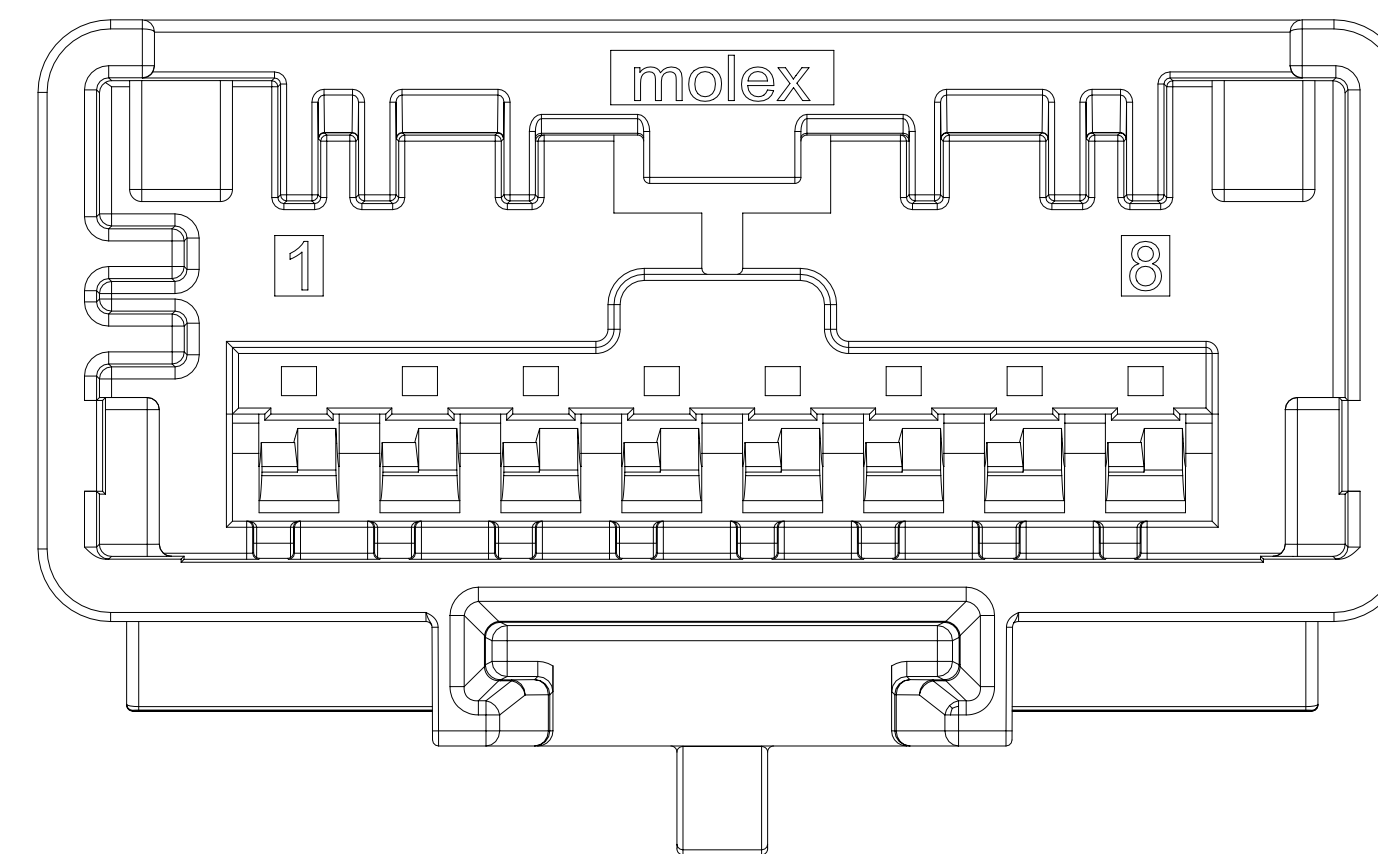
8CKT POLARIZATIONS



POLARIZATION A



POLARIZATION B



POLARIZATION C

NOTES: VALID UNLESS OTHERWISE SPECIFIED

1. GENERAL:

- 1.1 APPLICATION SPECIFICATION SEE: 2037000001_AS
- 1.2 PRODUCT SPECIFICATION SEE: 2037000001_PS
- 1.3 PACKAGING SPECIFICATION PER MOLEX DRAWING: PK-31301-898
- 1.4 PARTS MUST BE IN COMPLIANCE TO MOLEX CHEMICAL SUBSTANCES FOR PRODUCTS AND PACKAGING SPECIFICATION: QEHS-699000-300 (FOR SUPPLIERS) OR QEHS-699000-304 (INTERNAL)
- 1.5 DATA MUST BE SUBMITTED UNDER THE MOLEX PART NUMBER TO IMDS (COMPANY ID#13255)

2. DESIGN - MATERIALS:

- 2.1 RECEPTACLE HOUSING:
 - a. MATERIAL: SEE PART TABLE
 - b. COLOR: SEE PART TABLE

3. DESIGN - GEOMETRY:

- 3.1 GEOMETRIC DIMENSIONS AND TOLERANCES PER ASME Y14.5M-2009
- 3.2 EDGES AND UNDIMENSIONED DETAILS PER ISO13715
- 3.3 CORNERS SHOWN AS SHARP TO BE R 0.2 MAX.
- 3.4 MARKED TEXT TO INCLUDE: RECYCLING CODE, CAVITY ID, AND VENDOR IDENTIFICATION.
- 3.5 DATUM A5 IS SPECIFIC FOR THE MOLEX INLINE SYSTEM. THIS DATUM IS NOT APART OF THE USCAR INTERFACE
- 3.6 CLIP SLOT FOLLOWS USCAR 7MM DESIGN STANDARD.

BILL OF MATERIALS

MOLEX P/N	DESCRIPTION	COLOR	MATERIAL	WEIGHT (IN G)	CLIP SLOT SIZE (MM)	MATING COMPONENT P/N		STATUS
						CPA OPTION	NO CPA OPTION	
2037000020	MINI50 2CKT INLINE HOUSING POL A	BLACK	PBT GF 7.5	1.47	7	N/A	34791-0020	AVAILABLE
2037000021	MINI50 2CKT INLINE HOUSING POL B	LIGHT GRAY				N/A	34791-0021	
2037000022	MINI50 2CKT INLINE HOUSING POL C	DARK GRAY				N/A	34791-0022	
2037000023	MINI50 2CKT INLINE HOUSING POL D	GREEN				N/A	34791-0023	
2037000080	MINI50 8CKT INLINE HOUSING POL A	BLACK	PBT GF 7.5	2.87	7	34791-5180	34791-5180	AVAILABLE
2037000081	MINI50 8CKT INLINE HOUSING POL B	LIGHT GRAY				34791-5181	34791-5181	
2037000082	MINI50 8CKT INLINE HOUSING POL C	DARK GRAY				34791-5182	34791-5182	

A3	PAGE 2: SERIES NUMBER CALL OUT ADDED
A2	PAGE 1: ADDED CLIP SLOT SIZE TO BOM ADDED NOTES 3.5 AND 3.6 PAGE 2: ADDED DATUM A-C CALLOUTS ADDED DIM F & G TO VARIABLE CHART TABLE
A1	PAGE 2: ADDED WEIGHT & CHANGED DIM B & DIM D
A	INITIAL RELEASE
REV	DESCRIPTION

THIS DRAWING CONTAINS INFORMATION THAT IS PROPRIETARY TO MOLEX ELECTRONIC TECHNOLOGIES, LLC AND SHOULD NOT BE USED WITHOUT WRITTEN PERMISSION

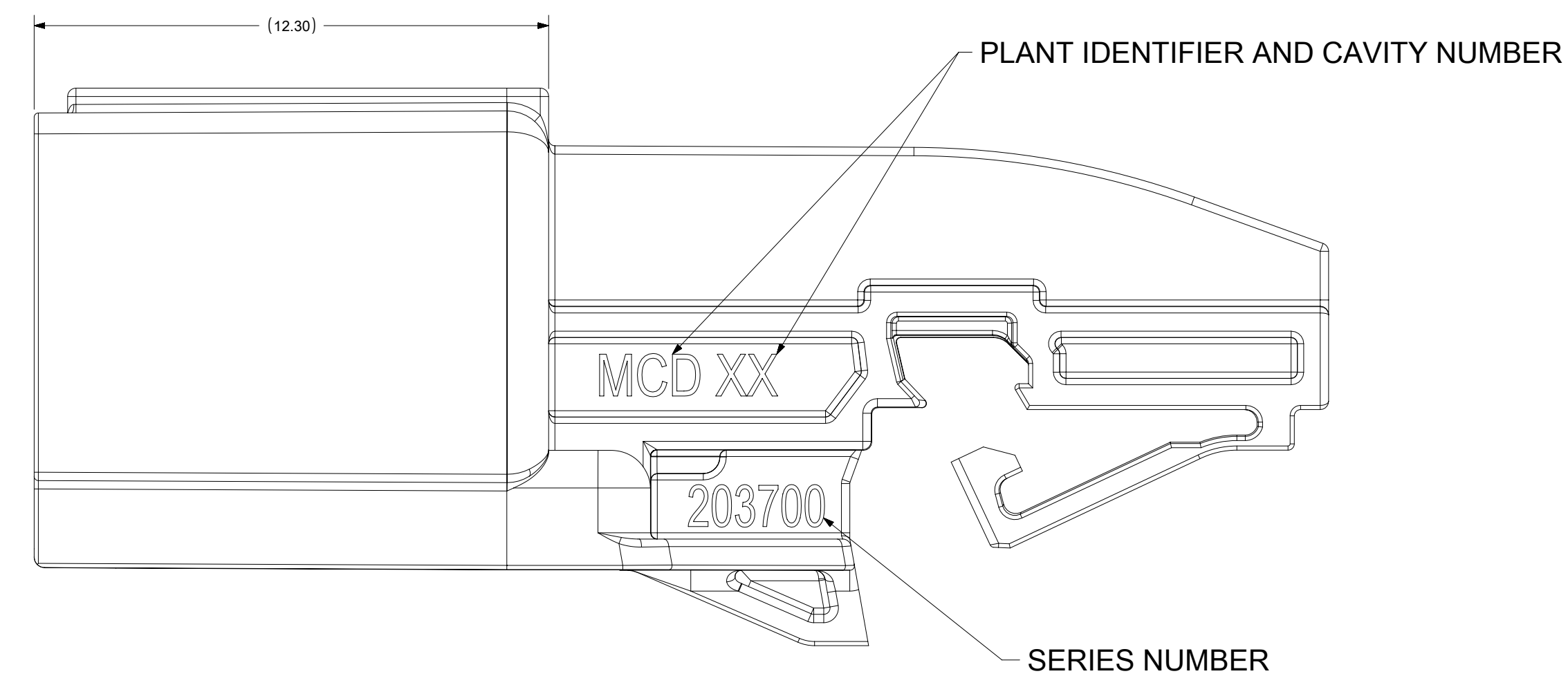
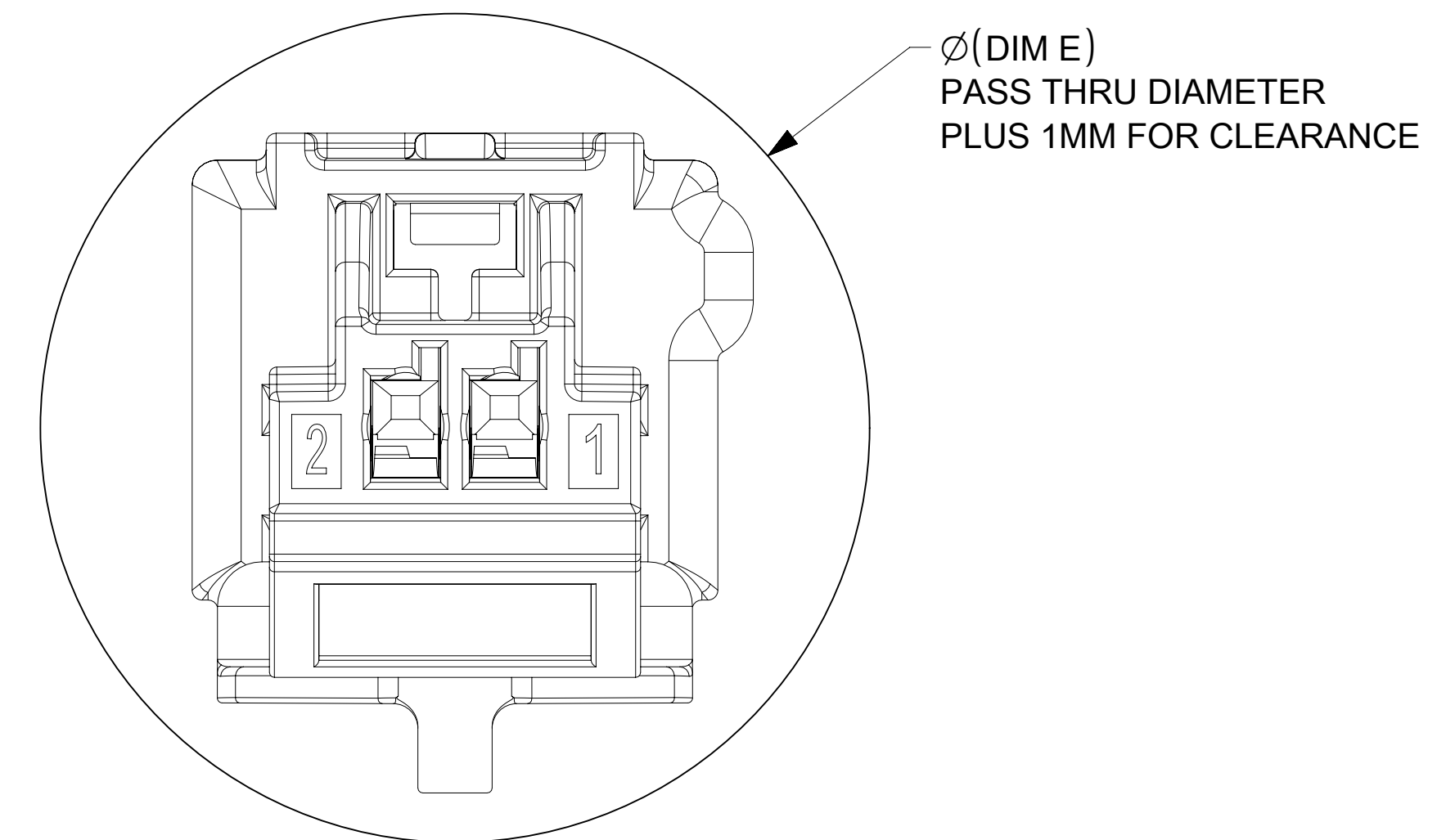
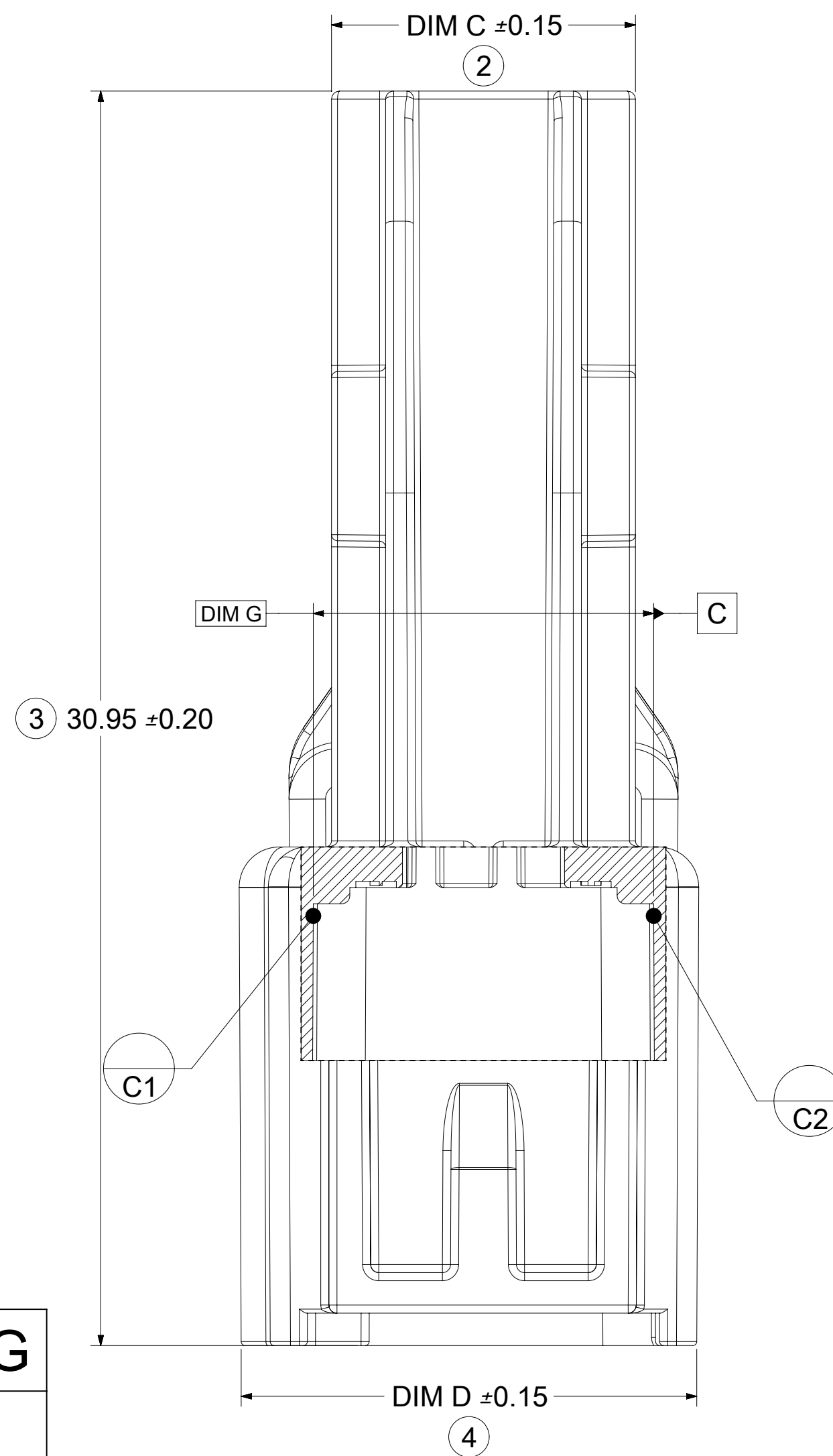
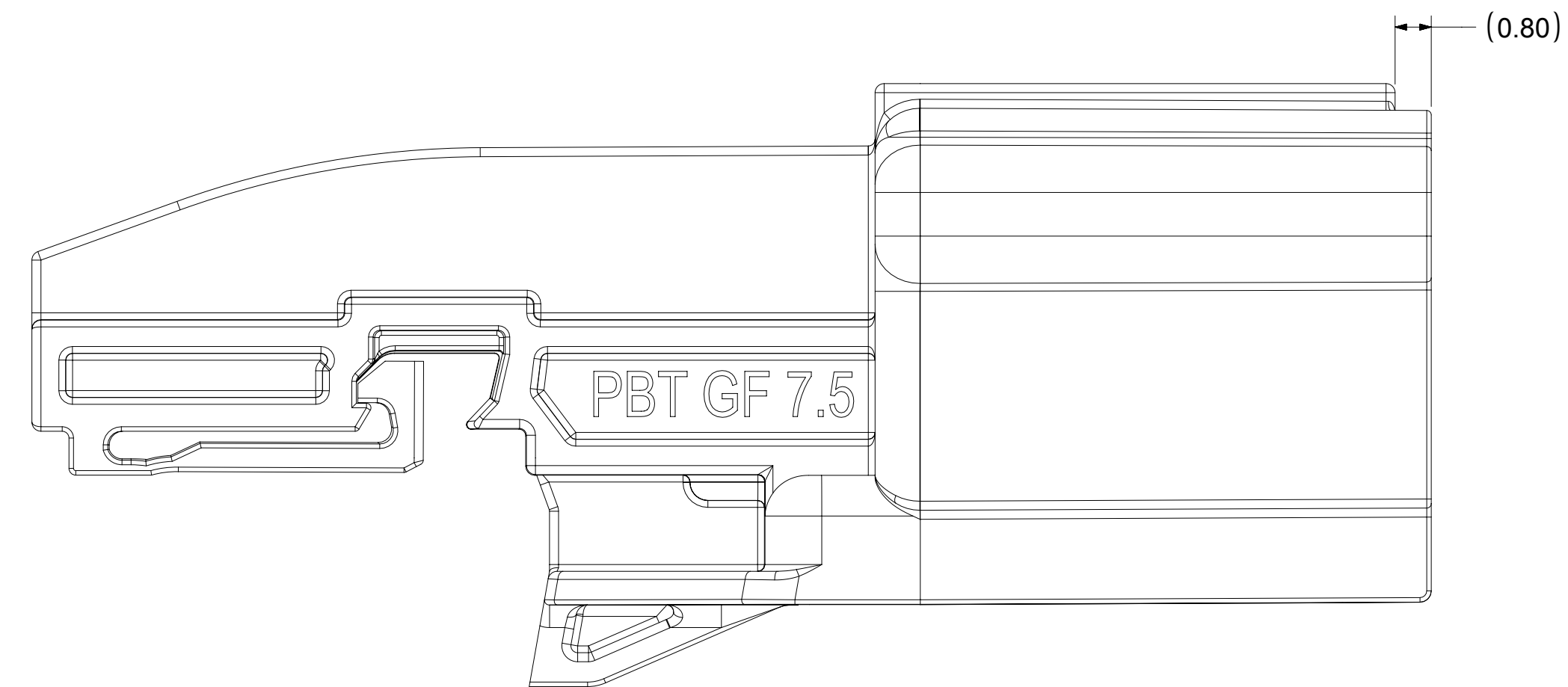
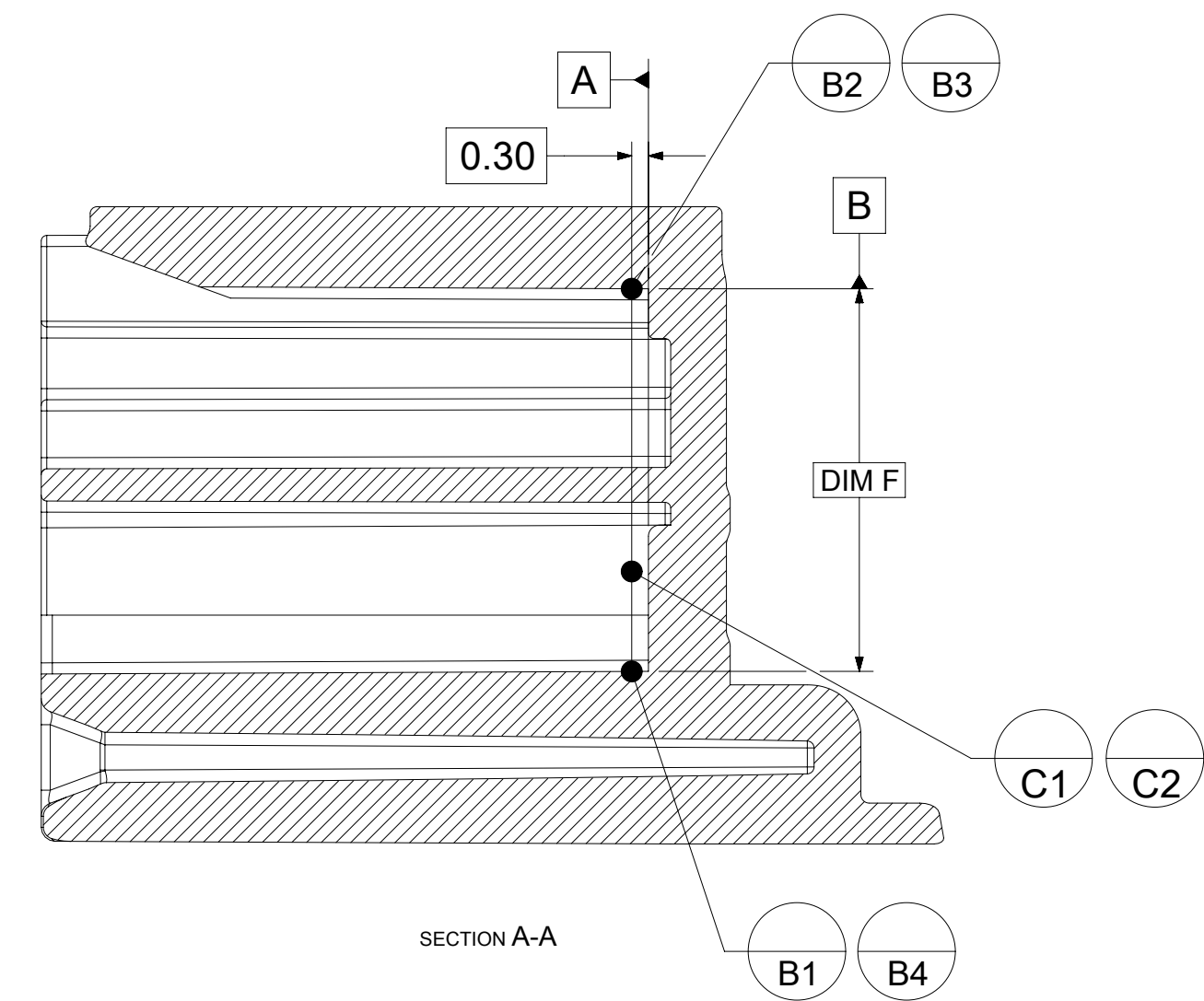
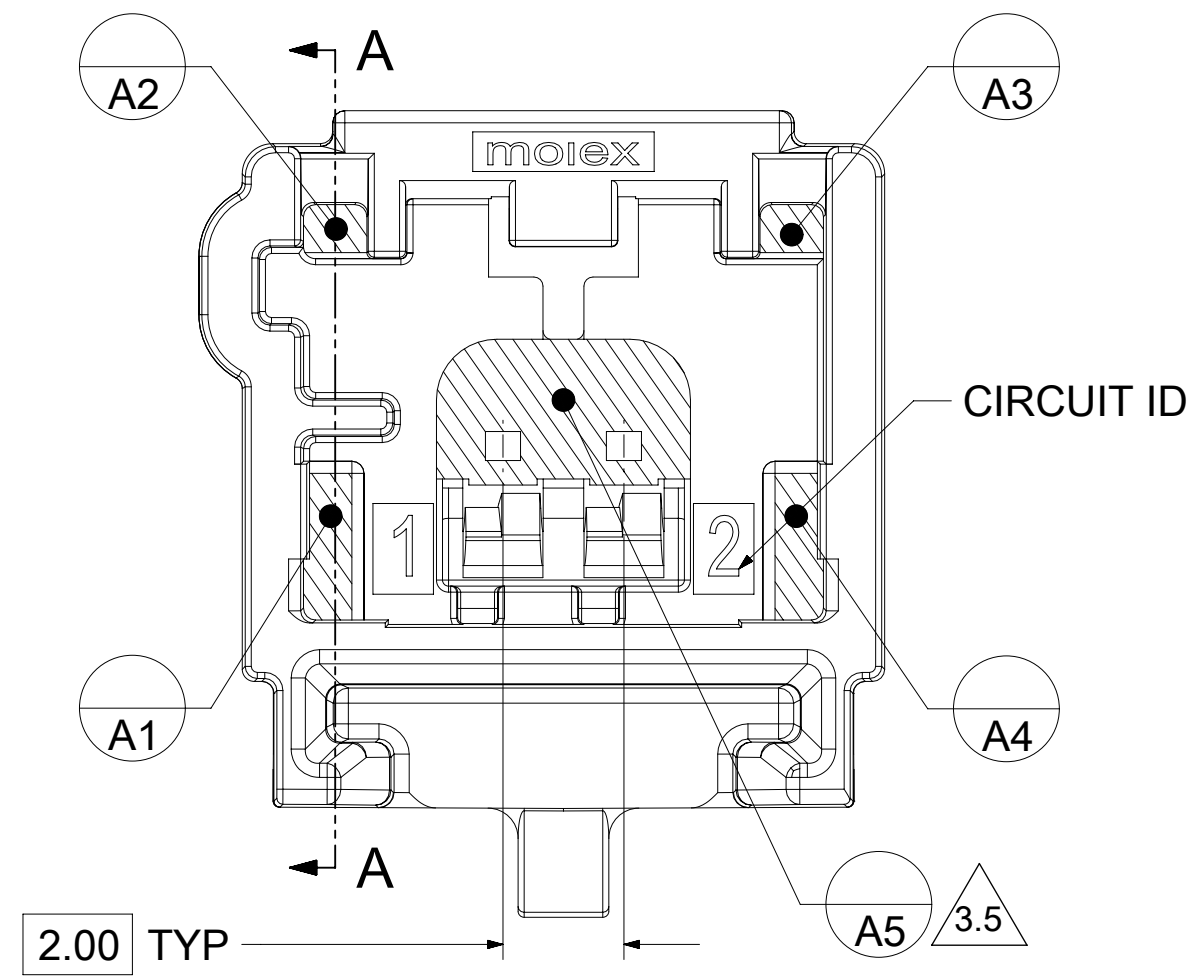
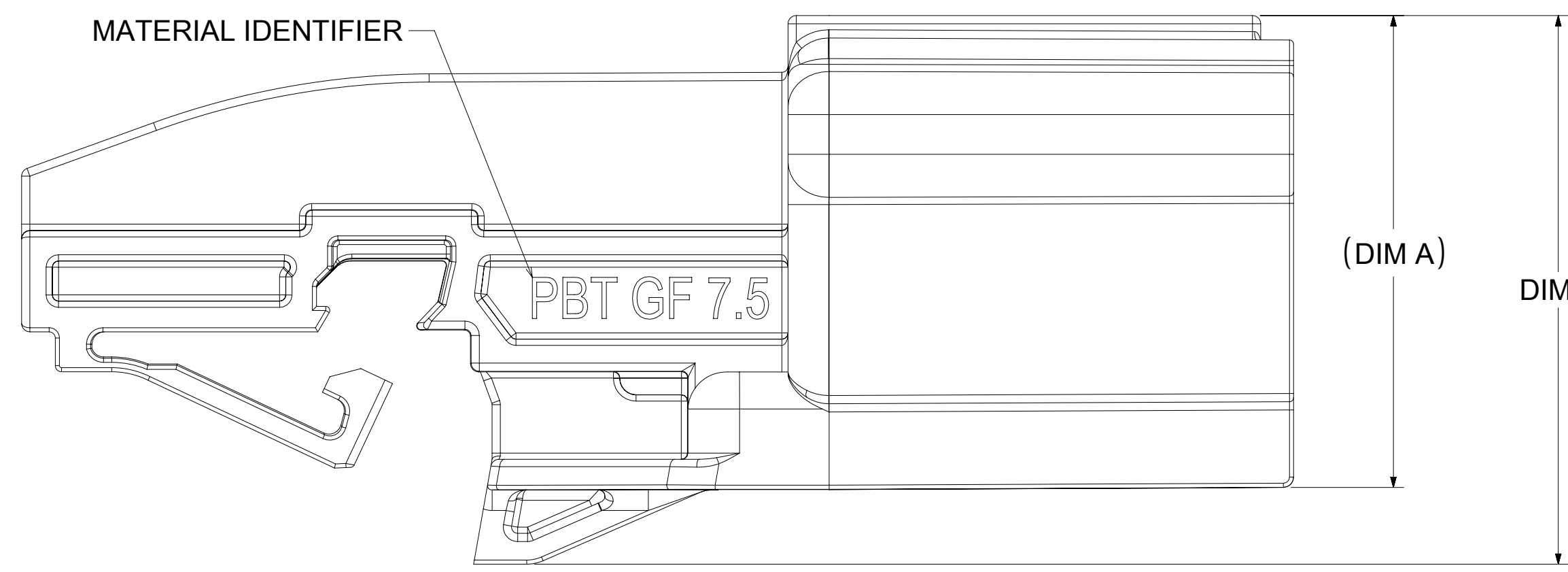
DIMENSION UNITS	SCALE
mm	8:1
GENERAL TOLERANCES (UNLESS SPECIFIED)	
ANGULAR TOL	± °
4 PLACES	±
3 PLACES	±
2 PLACES	±
1 PLACE	±
0 PLACES	±
DRAFT WHERE APPLICABLE MUST REMAIN WITHIN DIMENSIONS	

CURRENT REV DESC:	
EC NO: 639225	2020/05/07
DRWN: KHEWITT	2020/06/09
CHK'D: KHEWITT	2020/06/09
APPR: JDUNAJ	2020/06/09
INITIAL REVISION:	
DRWN: VBALASUBRAMA	2019/04/24
APPR: JDUNAJ	2019/06/18
DRAWING	SERIES
D-SIZE	203700

molex			
MINI50 MALE INLINE SALES DRAWING			
PRODUCT CUSTOMER DRAWING			
DOCUMENT NUMBER	DOC TYPE	DOC PART	REVISION
2037000003	PSD	000	A3
MATERIAL NUMBER	CUSTOMER	SHEET NUMBER	
	GENERAL MARKET	1 OF 2	

DOCUMENT STATUS	P1	RELEASE DATE	2020/06/09	16:36:18
-----------------	----	--------------	------------	----------

3.6



ISL IN FINAL POSITION

VARIABLE DIMENSION TABLE

PART NO	DIM A	DIM B	DIM C	DIM D	DIM E	DIM F	DIM G
2037000020	11.47	13.34	7.50	11.24	16.76	6.87	8.40
2037000021							
2037000022							
2037000023	12.01	13.81	19.70	22.63	27.00	7.87	20.40
2037000080							
2037000081							
2037000082							

THIS DRAWING CONTAINS INFORMATION THAT IS PROPRIETARY TO MOLEX ELECTRONIC TECHNOLOGIES, LLC AND SHOULD NOT BE USED WITHOUT WRITTEN PERMISSION

DIMENSION UNITS mm	SCALE 8:1	CURRENT REV DESC:	molex		
GENERAL TOLERANCES (UNLESS SPECIFIED)		EC NO: 639225			
ANGULAR TOL ± °	4 PLACES ±	DRWN: KHEWITT 2020/05/07	PRODUCT CUSTOMER DRAWING		
3 PLACES ±	2 PLACES ±	CHK'D: KHEWITT 2020/06/09	DOCUMENT NUMBER		
1 PLACE ±	0 PLACES ±	APPR: JDUNAJ 2020/06/09	2037000003		
DRAFT WHERE APPLICABLE MUST REMAIN WITHIN DIMENSIONS		INITIAL REVISION:	DOC TYPE	DOC PART	REVISION
THIRD ANGLE PROJECTION		DRWN: VBALASUBRAMA 2019/04/24	PSD	000	A3
DRAWING		APPR: JDUNAJ 2019/06/18	MATERIAL NUMBER		SHEET NUMBER
D-SIZE		SERIES	CUSTOMER		2 OF 2
		203700	GENERAL MARKET		