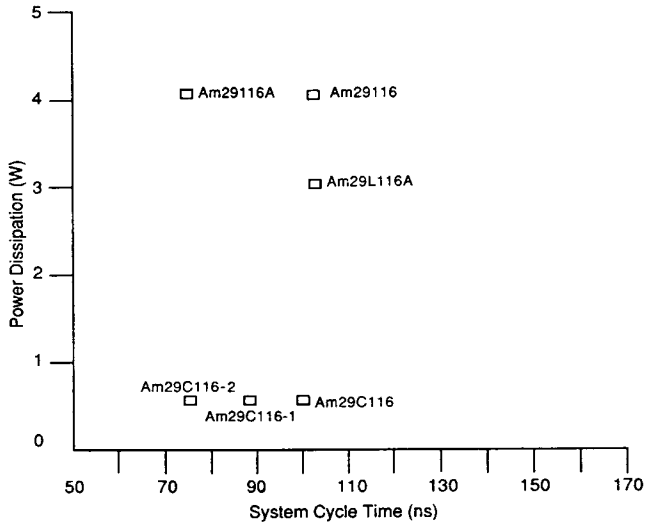


RELATED AMD PRODUCTS

Part No.	Description
Am29C10A	CMOS 12-Bit Sequencer
Am29C111	CMOS 16-Bit Microsequencer
Am29114	8-Level Real-Time Interrupt Controller
Am29117	2-Port 16-Bit Microprocessor
Am29C117	CMOS Version of Am29117
Am29118	8-Bit Am29C116 I/O Support
Am29130	16-Bit Barrel Shifter
Am29PL131	64 x 32 Field-Programmable Controller
Am29PL141	64 x 32 Field-Programmable Controller
Am29CPL141	CMOS Version of Am29PL141
Am29PL142	128 x 32 Field-Programmable Controller
Am29CPL144	CMOS 512 x 32 Field-Programmable Controller
Am29C331	CMOS 16-Bit Microsequencer
Am29C516A	CMOS 16 x 16 Multiplier
Am29C517A	CMOS 2-Port 16 x 16 Multiplier

The following diagram (Figure 1) is a summary of devices within the Am29116 Family, showing performance versus power.

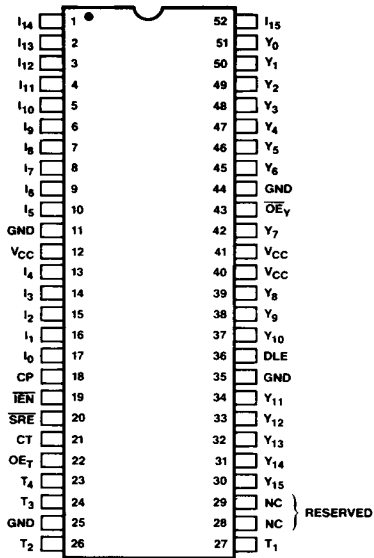


OP002292

**Figure 1. Am29116 Family
(Performance vs. Power)**

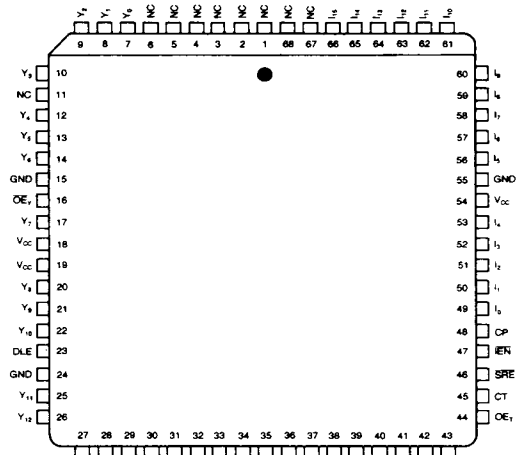
CONNECTION DIAGRAMS Top View

DIPs



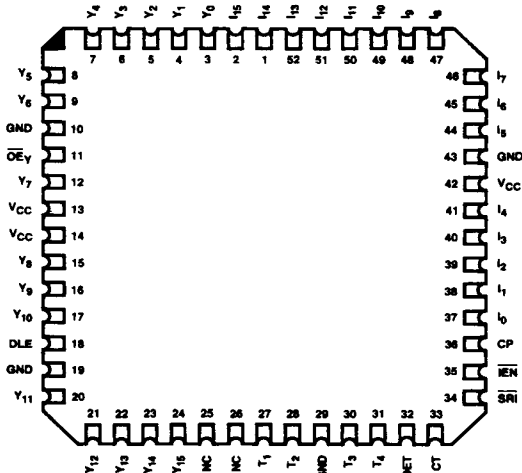
CD004190

PLCC



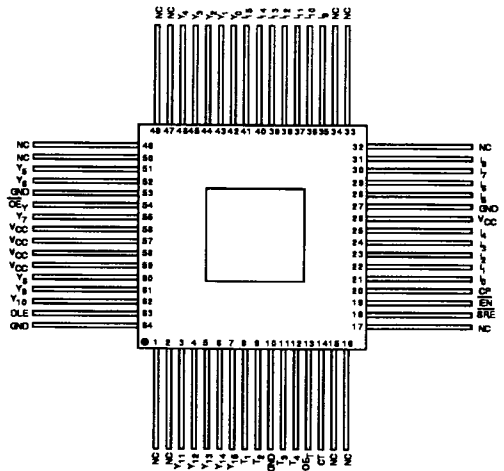
CD009470

LCC



CD004180

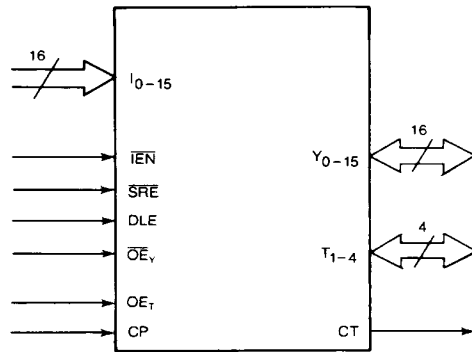
Flatpack



©1988

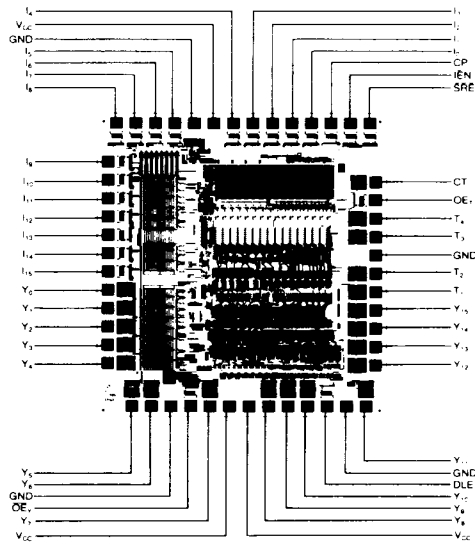
Note: Pin 1 is marked for orientation.

LOGIC SYMBOL



LS002254

METALLIZATION AND PAD LAYOUT

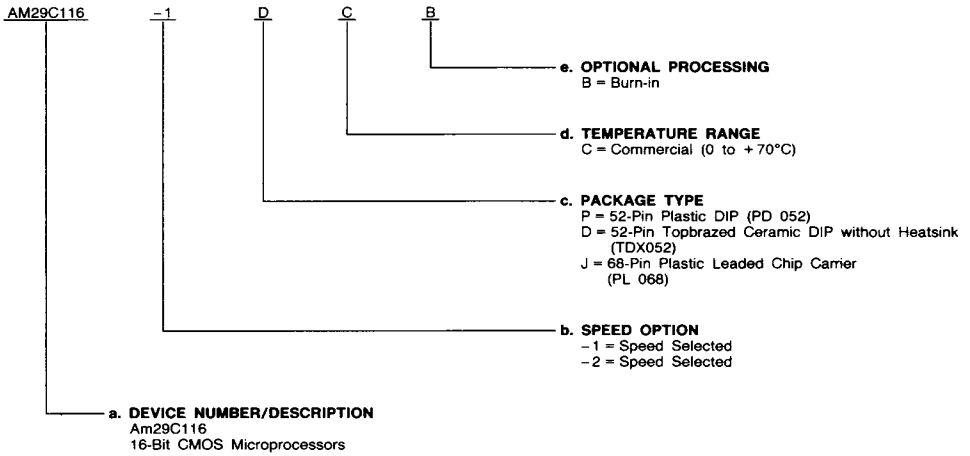


Die Size: 0.169" x 0.179"
Component Count: 14,000

ORDERING INFORMATION Standard Products

AMD standard products are available in several packages and operating ranges. The order number (Valid Combination) is formed by a combination of:

- a. Device Number
- b. Speed Option (if applicable)
- c. Package Type
- d. Temperature Range
- e. Optional Processing



Valid Combinations	
AM29C116	PC, PCB, DC, DCB, JC
AM29C116-1	
AM29C116-2	

Valid Combinations

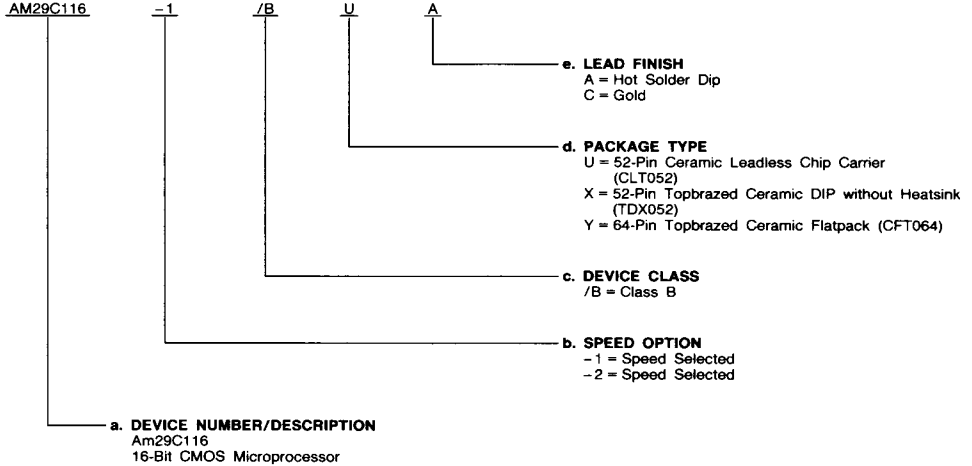
Valid Combinations list configurations planned to be supported in volume for this device. Consult the local AMD sales office to confirm availability of specific valid combinations, to check on newly released valid combinations, and to obtain additional data on AMD's standard military grade products.

ORDERING INFORMATION (Cont'd.)

APL Products

AMD products for Aerospace and Defense applications are available in several packages and operating ranges. APL (Approved Products List) products are fully compliant with MIL-STD-883C requirements. The order number (Valid Combination) for APL products is formed by a combination of:

- a. Device Number**
- b. Speed Option** (if applicable)
- c. Device Class**
- d. Package Type**
- e. Lead Finish**



Valid Combinations

Valid Combinations list configurations planned to be supported in volume for this device. Consult the local AMD sales office to confirm availability of specific valid combinations or to check for newly released valid combinations.

Valid Combinations	
AM29C116	/BUA, /BXC, /BYC
AM29C116-1	
AM29C116-2	

Group A Tests

Group A tests consist of Subgroups
1, 2, 3, 7, 8, 9, 10, 11

PIN DESCRIPTION

CP Clock Pulse (Input)

The clock input to the Am29C116. The RAM latch is transparent when the clock is HIGH. When the clock goes LOW, the RAM output is latched. Data is written into the RAM during the low period of the clock provided \overline{IEN} is LOW and if the instruction being executed designates the RAM as the destination of operation. The Accumulator and Status Register will accept data on the LOW-HIGH transition of the clock if \overline{IEN} is also LOW. The instruction latch becomes transparent when it exits an immediate instruction mode during a LOW-HIGH transition of the clock.

CT Conditional Test (Output)

The condition code multiplexer selects one of the twelve condition code signals and places them on the CT output. A HIGH on the CT output indicates a passed condition and a LOW indicates a failed condition.

DLE Data Latch Enable (Input)

When DLE is HIGH, the 16-bit data latch is transparent and is latched when DLE is LOW.

\overline{IEN} Instruction Enable (Input)

With \overline{IEN} LOW, data can be written into the RAM when the clock is LOW. The Accumulator can accept data during the LOW-HIGH transition of the clock. Having \overline{IEN} LOW, the Status Register can be updated when \overline{SRE} is LOW. With \overline{IEN} HIGH, the conditional test output, CT, is disabled as a function of the instruction inputs. \overline{IEN} should be LOW for the first half of the first cycle of an immediate instruction.

$I_0 - I_{15}$ Instruction Inputs — 16 (Input)

Used to select the operations to be performed in the Am29C116. Also used as data inputs while performing immediate instructions.

OE_T Output Enable (Input)

When OE_T is LOW, the 4-bit T outputs are disabled (high-impedance); when OE_T is HIGH, the 4-bit T outputs are enabled (HIGH or LOW).

\overline{OE}_Y Output Enable (Input)

When \overline{OE}_Y is HIGH, the 16-bit Y outputs are disabled (high-impedance); when \overline{OE}_Y is LOW, the 16-bit Y outputs are enabled (HIGH or LOW).

\overline{SRE} Status Register Enable (Input)

When \overline{SRE} and \overline{IEN} are both LOW, the Status Register is updated at the end of all instructions with the exception of NO-OP, Save Status, and Test Status. Having either \overline{SRE} or \overline{IEN} HIGH will inhibit the Status Register from changing.

$T_1 - T_4$ Input/Output Pins — 4 (Input/Output)

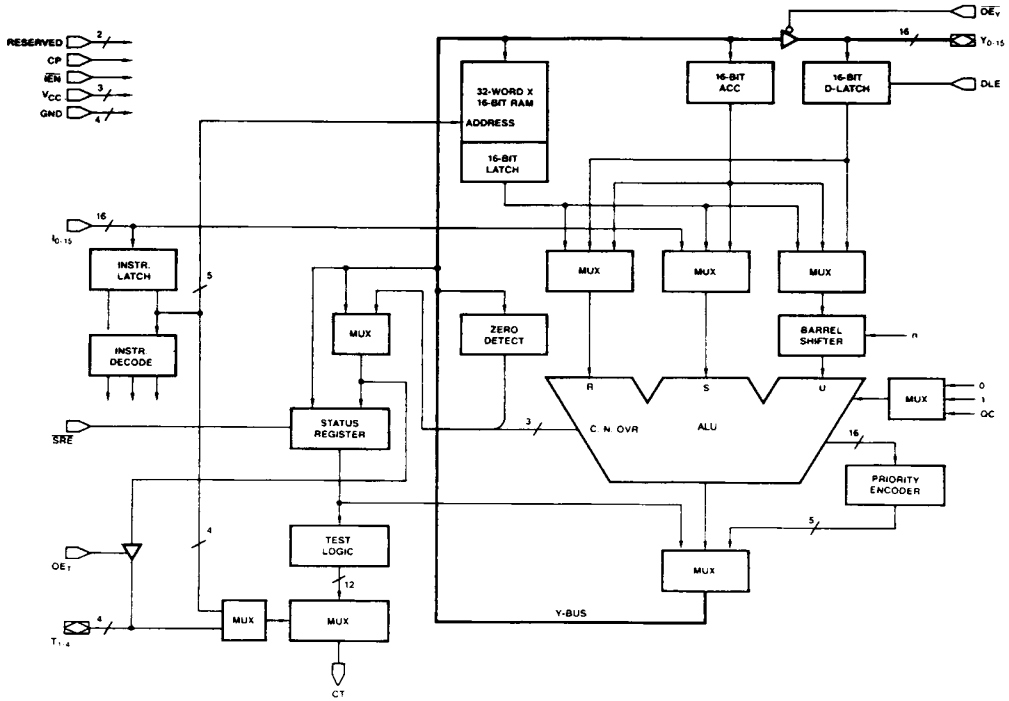
Under the control of OE_T , the four lower status bits Z, C, N, OVR, become outputs on $T_1 - T_4$, respectively, when OE_T goes HIGH. When OE_T is LOW, $T_1 - T_4$ are used as inputs to generate the CT output.

$Y_0 - Y_{15}$ Data I/O Lines — 16 (Input/Output)

When \overline{OE}_Y is HIGH, $Y_0 - Y_{15}$ are used as external data inputs which allow data to be directly loaded into the 16-bit data latch. Having \overline{OE}_Y LOW allows the ALU data to be output on $Y_0 - Y_{15}$.

FUNCTIONAL DESCRIPTION

The following diagram (Figure 2) shows a detailed block diagram of the Am29C116.



BD006540

Figure 2. Detailed Am29C116 Block Diagram

Architecture of the Am29C116

The Am29C116 is a high-performance, microprogrammable 16-bit CMOS microprocessor.

As shown in the Block Diagrams, the device consists of the following elements interconnected with 16-bit data paths.

- 32-Word by 16-Bit RAM
- Accumulator
- Data Latch
- Barrel Shifter
- ALU
- Priority Encoder
- Status Register
- Condition-Code Generator/Multiplexer
- Three-State Output Buffers
- Instruction Latch and Decoder

32-Word by 16-Bit RAM

The 32-Word by 16-Bit RAM is a single-port RAM with a 16-bit latch at its output. The latches are transparent when the clock input (CP) is HIGH and latched when the clock input is LOW. Data is written into the RAM while the clock is LOW if the \overline{IEN} input is also LOW and if the instruction being executed defines the RAM as the destination of the operation. For byte instructions, only the lower eight RAM bits are written into; for word instructions, all 16 bits are written into. With the use of an external multiplexer on five of the instruction inputs, it is possible to select separate read and write addresses for the same instruction. This two-address operation is not allowed for immediate instructions.

Accumulator

The 16-bit Accumulator is an edge-triggered register. The Accumulator accepts data on the LOW-to-HIGH transition of the clock input if the \overline{IEN} input is LOW and if the instruction being executed defines the Accumulator as the destination of the operation. For byte instructions, only the lower eight bits of the Accumulator are written into; for word instructions, all 16 bits are written into.

Data Latch

The 16-bit Data Latch holds the data input to the Am29C116 on the bi-directional Y bus. The latch is transparent when the DLE input is HIGH and latched when the DLE input is LOW.

Barrel Shifter

A 16-bit Barrel Shifter is used as one of the ALU inputs. This permits rotating data from either the RAM, the Accumulator or the Data Latch up to 15 positions. In the word mode, the Barrel Shifter rotates a 16-bit word; in the byte mode, it rotates only the lower eight bits.

Arithmetic Logic Unit

The Am29C116 contains a 16-bit ALU with full carry lookahead across all 16 bits in the arithmetic mode. The ALU is capable of operating on either one, two or three operands, depending upon the instruction being executed. It has the ability to execute all conventional one and two operand operations, such as pass, complement, two's complement, add, subtract, AND, NAND, OR, NOR, EXOR, and EX-NOR. In addition, the ALU can also execute three-operand instructions such as rotate and merge and rotate and compare with mask. All ALU operations can be performed on either a word or byte basis, byte operations being performed on the lower eight bits only.

The ALU produces three status outputs, C (carry), N (negative) and OVR (overflow). The appropriate flags are generated at the byte or word level, depending upon whether the device is executing in the byte or word mode. The Z (zero) flag,

although not generated by the ALU, detects zero at both the byte and word level.

The carry input to the ALU is generated by the Carry Multiplexer which can select an input of zero, one, or the stored carry bit from the Status Register, QC. Using QC as the carry input allows execution of multiprecision addition and subtractions.

Priority Encoder

The Priority Encoder produces a binary-weighted code to indicate the locations of the highest order ONE at its input. The input to the Priority Encoder is generated by the ALU which performs an AND operation on the operand to be prioritized and a mask. The mask determines which bit locations to eliminate from prioritization. In the word mode, if no bit is HIGH, the output is a binary zero. If bit 15 is HIGH, the output is a binary one. Bit 14 produces a binary two, etc. Finally, if only bit 0 is HIGH, a binary 16 is produced.

In the byte mode, bits 8 thru 15 do not participate. If none of bits 7 thru 0 are HIGH, the output is a binary zero. If bit 7 is HIGH a binary one is produced. Bit 6 produces a binary two, etc. Finally, if only bit 0 is HIGH, a binary 8 is produced.

Status Register

The Status Register holds the 8-bit status word. With the Status-Register Enable, (\overline{SRE}) input LOW and the \overline{IEN} input LOW, the Status Register is updated at the end of all instructions except NO-OP, Save-Status and Test-Status instructions. \overline{SRE} going HIGH or \overline{IEN} going HIGH inhibits the Status Register from changing.

The lower four bits of the Status Register contain the ALU status bits of Zero (Z), Carry (C), Negative (N), and Overflow (OVR). The upper four bits contain a Link bit and three user-definable status bits (Flag 1, Flag 2, Flag 3).

With \overline{SRE} LOW and \overline{IEN} LOW, the lower four status bits are updated after each instruction except those mentioned above, NO-OP, Save Status, Status Test and the Status Set/Reset instruction for the upper four bits. Under the same conditions, the upper four status bits are changed only during their respective Status Set/Reset instructions and during Status Load instructions in the word mode. The Link-Status bit is also updated after each shift instruction.

The Status Register can be loaded from the internal Y-bus, and can also be selected as a source for the internal Y-bus. When the Status Register is loaded in the word mode, all 8-bits are updated; in the byte mode, only the lower 4 bits (Z, C, N, OVR) are updated.

When the Status Register is selected as a source in the word mode, all eight bits are loaded into the lower byte of the destination; the upper byte of the destination is loaded with all zeros. In the byte mode, the Status Register again loads into the lower byte of the destination, but the upper byte remains unchanged. This Store and Load combination allows saving and restoring the Status Register for interrupt and subroutine processing. The four lower status bits (Z, C, N, OVR) can be read directly via the bidirectional T bus. These four bits are available as outputs on the T₁₋₄ outputs whenever OE_T is HIGH.

Condition-Code Generator/Multiplexer

The Condition-Code Generator/Multiplexer contains the logic necessary to develop the 12 condition-code test signals. The multiplexer portion can select one of these test signals and place it on the CT output for use by the microprogram sequence. The multiplexer may be addressed in two different ways. One way is through the Test Instruction. This instruction specifies the test condition to be placed in the CT output, but

does not allow an ALU operation at the same time. The second method uses the bidirectional T bus as an input. This requires extra bits in the microword, but provides the ability to simultaneously test and execute. The test instruction lines, I_{0-4} , have priority over T_{1-4} , for testing status.

Three-State Output Buffers

There are two sets of Three-State Output Buffers in the Am29C116. One set controls the bidirectional, 16-bit Y bus. These outputs are enabled by placing a LOW on the \overline{OE} input. A HIGH puts the Y outputs in the high-impedance state, allowing data to be input to the Data latch from an external source.

The second set of Three-State Output Buffers controls the bidirectional 4-bit T bus and is enabled by placing a HIGH on the OE_T input. This allows storing the four internal ALU status bits (Z, C, N, OVR) externally. A LOW OE_T input forces the T outputs into the high-impedance state. External devices can

then drive the T bus to select a test condition for the CT output.

Instruction Latch and Decoder

The 16-bit Instruction Latch is normally transparent to allow decoding of the Instruction Inputs by the Instruction Decoder into the internal control signals for the Am29C116. All instructions except Immediate Instructions are executed in a single clock cycle.

Immediate instructions require two clock cycles for execution. During the first clock cycle, the Instruction Decoder recognizes that an Immediate Instruction is being specified and captures the data on the Instruction Inputs in the Instruction Latch. During the second clock cycle, the data on the Instruction Inputs is used as one of the operands for the function specified during the first clock cycle. At the end of the second clock cycle, the Instruction Latch is returned to its transparent state.

Instruction Set

The instruction set of the Am29C116 is very powerful. In addition to the single and two operand logical and arithmetic instructions, the Am29C116 instruction set contains functions particularly useful in controller applications: bit set, bit reset, bit test, rotate and merge, rotate and compare, and cyclic-redundancy-check (CRC) generation. Complex instructions like rotate and merge, rotate and compare, and prioritize are executed in a single microcycle.

Three data types are supported by the Am29C116.

- Bit
- Byte
- Word (16-bit)

In the byte mode, data is written into the lower half of the word and the upper half is unchanged. The special case is when the status register is specified as the destination. In the byte mode, the LSH (OVR, N, C, Z) of the status register is updated and in the word mode all eight bits of the status register are updated. The status register does not change for save status and test status instructions. In the test status instructions, the CT output has the result and the Y-bus is undefined.

The Am29C116 Instruction Set can be divided into eleven types of instructions. These are:

- Single Operand
- Two Operand
- Single Bit Shift
- Rotate and Merge
- Bit Oriented
- Rotate by n Bits
- Rotate and Compare
- Prioritize
- Cyclic-Redundancy-Check
- Status
- No-Op

Each instruction type is arbitrarily divided into quadrants. Two of the sixteen instruction lines decode to four quadrants labelled from 0 to 3. The quadrants were defined mainly for convenience in classification of the instruction set and addressing modes and can be used together with the OP CODES to distinguish the instructions.

The following pages describe each of the instruction types in detail. Throughout the description \overline{OE}_Y is assumed to be LOW allowing ALU outputs on the Y-bus.

Table 1 illustrates operand source-destination combinations for each instruction type.

TABLE 1. OPERAND SOURCE DESTINATION COMBINATIONS

Instruction Type	Operand Combinations (Note 1)		
	Source (R/S)		Destination
Single Operand	RAM (Note 2)		RAM
	ACC		ACC
	D		Y Bus
	D(OE)		Status
	D(SE)		ACC and Status
Two Operand	Source (R)		Destination
	Source (S)		
	RAM	ACC	RAM
	RAM	I	ACC
	D	RAM	Y Bus
Single Bit Shift	Source (U)		Destination
	RAM		RAM
	ACC		ACC
	ACC		Y Bus
	D		RAM
Rotate n Bits	Source (U)		Destination
	RAM		RAM
	ACC		ACC
Bit Oriented	Source (R/S)		Destination
	RAM		RAM
	ACC		ACC
Rotate and Merge	Rotated Source (U)	Mask (S)	Non-Rotated Source/ Destination (R)
	D	I	ACC
	D	RAM	ACC
	D	I	RAM
	D	ACC	RAM
ACC	I	RAM	
RAM	I	ACC	

Instruction Type	Operand Combinations (Note 1)		
	Rotated Source (U)	Mask (S)	Non-Rotated Source/ Destination (R)
Rotate and Compare	D	I	
	D	I	
	D	ACC	RAM
	RAM	I	ACC
Prioritize (Note 3)	Source (R)	Mask (S)	Destination
	RAM	RAM	RAM
	ACC	ACC	ACC
Cyclic Redundancy Check	Data In	Destination	Polynomial
	QLINK	RAM	ACC
No Operation	-		
Set Reset Status	Bits Affected		
	OVR, N, C, Z		
	LINK Flag1 Flag2 Flag3		
Store Status	Source	Destination	
	Status	RAM ACC Y Bus	
Status Load	Source (R)	Source (S)	Destination
	D	ACC	Status
	ACC	I	Status and ACC
Test Status	Test Condition (CT)		
	(N⊕OVR) + Z N⊕OVR Z OVR Low C Z + C̄ N LINK Flag 1 Flag 2 Flag 3		

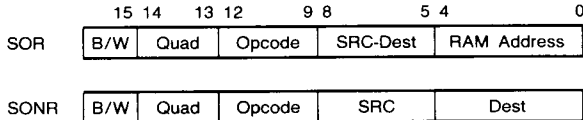
- Notes: 1. When there is no dividing line between the R&S OPERAND or SOURCE and DESTINATION, the two must be used as a given pair. But where there exists such a separation, any combination of them is possible.
2. In the SINGLE OPERAND INSTRUCTION, RAM cannot be used when both ACC and STATUS are designated as a DESTINATION.
3. In the PRIORITIZE INSTRUCTION, OPERAND and MASK must be different sources.

SINGLE OPERAND INSTRUCTIONS

The Single Operand Instructions contain four indicators: byte or word mode, opcode, source and destination. They are further subdivided into two types. The first type uses RAM as a source or destination or both, and the second type does not use RAM as a source or destination. Both types have different instruction formats as shown below. Under the control of instruction inputs, the desired function is performed on the source and the result is either stored in the specified destination or placed on the Y-bus or both. For a special case where

8-bit to 16-bit conversion is needed, the Am29C116 is capable of extending sign bit (D(SE)) or binary zero (D(OE)) over 16-bits in the word mode. The least significant four bits of the Status Register (OVR, N, C, Z) are affected by the function performed in this category. The most significant bits of status register (FLAG1, FLAG2, FLAG3, LINK) are not affected. The only limitation in this type is that the RAM cannot be used as a source when both ACC and the Status Register are specified as a destination.

SINGLE OPERAND FIELD DEFINITIONS



SINGLE OPERAND INSTRUCTION

	15	14	13	12	9	8	5	4	0			
Instruction ¹	B/W ²	Quad ³	Opcode			R/S ⁴ Dest ⁴			RAM Address			
SOR	0 = B 1 = W	10	1100	MOVE	SRC ..Dest	0000	SORA	RAM	ACC	00000	R00	RAM Reg 00
			1101	COMP	SRC ..Dest	0010	SORY	RAM	Y Bus
			1110	INC	SRC + 1 ..Dest	0011	SORS	RAM	Status	11111	R31	RAM Reg 31
			1111	NEG	SRC + 1 ..Dest	0100	SOAR	ACC	RAM			
						0110	SODR	D	RAM			
			0111	SOIR	I	RAM						
			1000	SOZR	0	RAM						
			1001	SOZER	D(OE)	RAM						
			1010	SOSE	D(SE)	RAM						
			1011	SORR	RAM	RAM						
Instruction	B/W	Quad	Opcode			R/S ⁴			Destination			
SONR	0 = B 1 = W	11	1100	MOVE	SRC ..Dest	0100	SOA	ACC	00000	NRY	Y Bus	
			1101	COMP	SRC ..Dest	0110	SOD	D	00001	NRA	ACC	
			1110	INC	SRC + 1 ..Dest	0111	SOI	I	00100	NRS	Status ⁵	
			1111	NEG	SRC + 1 ..Dest	1000	SOZ	0	00101	NRAS	ACC, Status ⁵	
						1001	SOZE	D(OE)				
			1010	SOSE	D(SE)							

- Notes: 1. The instruction mnemonic designates different instruction formats used in the Am29C116. They are useful in microcode assembly.
 2. B = Byte Mode, W = Word Mode.
 3. See Instruction Set description.
 4. R = Source; S = Source; Dest = Destination.
 5. When status is destination,
 Status i - Yi = 0 to 3 (Byte mode)
 i = 0 to 7 (Word mode)

Y BUS AND STATUS - SINGLE OPERAND INSTRUCTIONS

Instruction	Opcode	Description	B/W	Y - Bus	Flag3	Flag2	Flag1	LINK	OVR	N	C	Z
SOR	MOVE	SRC ..Dest	0 = B	Y .. SRC	NC	NC	NC	NC	0	U	0	U
	COMP	SRC ..Dest	1 = W	Y .. SRC	NC	NC	NC	NC	0	U	0	U
SONR	INC	SRC + 1 .. Dest		Y .. SRC + 1	NC	NC	NC	NC	U	U	U	U
	NEG	SRC + 1 ..Dest		Y .. SRC + 1	NC	NC	NC	NC	U	U	U	U

SRC = Source
 U = Update
 NC = No Change

0 = Reset
 1 = Set
 i = 0 to 15 when not specified

TWO OPERAND INSTRUCTIONS

The Two Operand Instructions contain five indicators: byte or word mode, opcode, R source, S source, and destination. They are further subdivided into two types. The first type uses RAM as the source and/or destination and the second type does not use RAM as source or destination. The first type has two formats; the only difference is in the quadrant. Under the control of instruction inputs, the desired function is performed on the specified sources and the result is stored in the

specified destination or placed on the Y-bus or both. The least significant four bits of the status register (OVR, N, C, Z) are affected by the arithmetic functions performed and only the N and Z bits are affected by the logical functions performed. The OVR and C bits of the status register are forced to ZERO for logical functions. Add with carry and Subtract with carry instructions are useful for Multiprecision Add or Subtract.

TWO OPERAND FIELD DEFINITIONS

	15	14	13	12	9	8	5	4	0	
TOR1	B/W		Quad		SRC-SRC -Dest		Opcode		RAM Address	
TOR2	B/W		Quad		SRC-SRC -Dest		Opcode		RAM Address	
TONR	B/W		Quad		SRC-SRC		Opcode		Dest	

TWO OPERAND INSTRUCTIONS

Instruction	B/W	Quad	R ¹	S ¹	Dest ¹	Opcode	RAM Address				
TOR1	0 = B 1 = W	00	0000	TORAA	RAM	ACC	ACC	0000	SUBR	S minus R	00000 R00 RAM Reg 00 11111 R31 RAM Reg 31
			0010	TORIA	RAM	I	ACC	0001	SUBRC ²	S minus R with carry	
			0011	TODRA	D	RAM	ACC				
			1000	TORAY	RAM	ACC	Y Bus	0010	SUBS	R minus S	
			1010	TORIY	RAM	I	Y Bus	0011	SUBSC ²	R minus S with carry	
			1011	TODRY	D	RAM	Y Bus				
			1100	TORAR	RAM	ACC	RAM	0100	ADD	R plus S	
			1110	TORIR	RAM	I	RAM	0101	ADDC	R plus S with carry	
			1111	TODRR	D	RAM	RAM				
								0110	AND	R • S	
								0111	NAND	R • S	
								1000	EXOR	R ⊕ S	
								1001	NOR	R + S	
								1010	OR	R + S	
					1011	EXNOR	R ⊕ S				
Instruction	B/W	Quad	R ¹	S ¹	Dest ¹	Opcode	RAM Address				
TOR2	0 = B 1 = W	10	0001	TODAR	D	ACC	RAM	0000	SUBR	S minus R	00000 R00 RAM Reg 00 11111 R31 RAM Reg 31
			0010	TOAIR	ACC	I	RAM	0001	SUBRC ²	S minus R with carry	
			0101	TODIR	D	I	RAM				
								0010	SUBS	R minus S	
					0011	SUBSC ²	R minus S with carry				
					0100	ADD	R plus S				
					0101	ADDC	R plus S with carry				
					0110	AND	R • S				
					0111	NAND	R • S				
					1000	EXOR	R ⊕ S				
					1001	NOR	R + S				
					1010	OR	R + S				
					1011	EXNOR	R ⊕ S				

Note 1: R = Source

S = Source

Dest = Destination

Note 2: During subtraction the carry is interpreted as borrow.

TWO OPERAND INSTRUCTIONS

Instruction	B/W	Quad	R ¹	S ¹	Opcode	Destination						
TONR	0 = B	11	0001	TODA	D	ACC	0000	SUBR	S minus R	00000	NRY	Y Bus
	1 = W		0010	TOAI	ACC	I	0001	SUBRC	S minus R with carry	00001	NRA	ACC
			0101	TODI	D	I	0010	SUBS	R minus S	00100	NRS	Status ²
			0011	SUBSC	R minus S with carry	00110	AND	R·S	00101	NRAS	ACC, Status ²	
			0100	ADD	R plus S	0110	NAND	$\overline{R \cdot S}$				
			0101	ADDC	R plus S with carry	0111	EXOR	$R \oplus S$				
			1000	EXOR	$R \oplus S$	1000	NOR	$\overline{R + S}$				
			1001	NOR	$\overline{R + S}$	1001	OR	$R + S$				
			1010	OR	$R + S$	1010	EXNOR	$\overline{R \oplus S}$				
			1011	EXNOR	$\overline{R \oplus S}$	1011						

- Notes 1: R = Source
S = Source
- 2: When status is destination,
Status i... Y_i i = 0 to 3 (Byte mode)
i = 0 to 7 (Word mode)
- 3: During subtraction the carry is interpreted as borrow.
- 4: OVR = C₈ ⊕ C₇ (Byte mode)
OVR = C₁₆ ⊕ C₁₅ (Word mode)

Y BUS AND STATUS CONTENTS - TWO OPERAND INSTRUCTIONS

Instruction	Opcode	Description	B/W	Y - Bus	Flag3	Flag2	Flag 1	LINK	OVR	N	C	Z
TOR1 TOR2 TONR	SUBR	S minus R	0 = B	$Y_{i-1} - S + \overline{R} + 1$	NC	NC	NC	NC	U	U	U	U
	SUBRC	S minus R with carry	1 = w	$Y_{i-1} - S + \overline{R} + QC$	NC	NC	NC	NC	U	U	U	U
	SUBS	R minus S		$Y_{i-1} - R + \overline{S} + 1$	NC	NC	NC	NC	U	U	U	U
	SUBSC	R minus S with carry		$Y_{i-1} - R + \overline{S} + QC$	NC	NC	NC	NC	U	U	U	U
	ADD	R plus S		$Y_{i-1} - R + S$	NC	NC	NC	NC	U	U	U	U
	ADDC	R plus S with carry		$Y_{i-1} - R + S + QC$	NC	NC	NC	NC	U	U	U	U
	AND	R·S		$Y_{i-1} - R_i \text{ AND } S_i$	NC	NC	NC	NC	0	U	0	U
	NAND	$\overline{R \cdot S}$		$Y_{i-1} - R_i \text{ NAND } S_i$	NC	NC	NC	NC	0	U	0	U
	EXOR	$R \oplus S$		$Y_{i-1} - R_i \text{ EXOR } S_i$	NC	NC	NC	NC	0	U	0	U
	NOR	$\overline{R + S}$		$Y_{i-1} - R_i \text{ NOR } S_i$	NC	NC	NC	NC	0	U	0	U
	OR	R + S		$Y_{i-1} - R_i \text{ OR } S_i$	NC	NC	NC	NC	0	U	0	U
	EXNOR	$\overline{R \oplus S}$		$Y_{i-1} - R_i \text{ EXNOR } S_i$	NC	NC	NC	NC	0	0	0	U

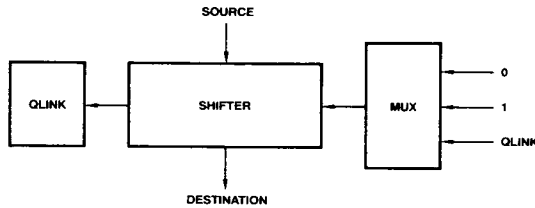
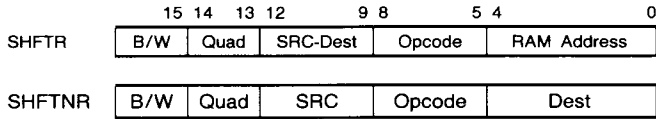
U = Update
NC = No Change
0 = Reset
1 = Set
i = 0 to 15 when not specified

SINGLE BIT SHIFT INSTRUCTIONS

The Single Bit Shift Instructions contain four indicators: byte or word mode, direction and shift linkage, source and destination. They are further subdivided into two types. The first type uses RAM as the source and/or destination and the second type does not use RAM as source or destination. Under the control of the instruction inputs, the desired shift function is performed on the specified source and the result is stored in the specified destination or placed on the Y-bus or both. The direction and shift linkage indicator defines the direction of the shift (up or down) as well as what will be shifted into the vacant bit. On a shift-up instruction, the LSB may be loaded with ZERO, ONE,

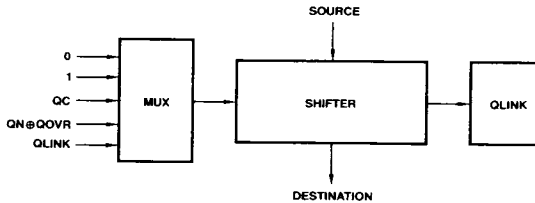
or the Link-Status bit (QLINK). The MSB is loaded into the Link-Status bit as shown in Figure 3. On a shift-down instruction, the MSB may be loaded with ZERO, ONE, the contents of the Status Carry flip-flop, (QC), the Exclusive-OR of the Negative-Status bit and the Overflow-Status bit (QN ⊕ QOVR) or the Link-Status bit. The LSB is loaded into the Link-Status bit as shown in Figure 4. The N and Z bits of the Status register are affected but the OVR and C bits are forced to ZERO. The Shift-Down with QN ⊕ QOVR is useful for Two's Complement multiplication.

SINGLE BIT SHIFT FIELD DEFINITIONS:



PF000360

Figure 3. Shift Up Function



PF000350

Figure 4. Shift Down Function

SINGLE BIT SHIFT INSTRUCTIONS

SINGLE BIT SHIFT

Instruction	B/W	Quad	U ¹	Dest ¹	Opcode	RAM Address		
SHFTR	0 = B 1 = W	10	0110	SHRR	RAM	RAM	0000 SHUPZ Up 0	00000 R00 RAM Reg 00 11111 R31 RAM Reg 31
				SHDR	D	RAM	0001 SHUP1 Up 1	
							0010 SHUPL Up QLINK	
							0100 SHDNZ Down 0	
							0101 SHDN1 Down 1	
							0110 SHDNL Down QLINK	
							0111 SHDNC Down QC	
							1000 SHDNOV Down QN⊕QOVR	
Instruction	B/W	Quad	U ¹	Dest ¹	Opcode	Destination		
SHFTNR	0 = B 1 = W	11	0110	SHA	ACC	0000 SHUPZ Up 0	00000 NRY Y Bus 00001 NRA ACC	
				SHD	D	0001 SHUP1 Up 1		
						0010 SHUPL Up QLINK		
						0100 SHDNZ Down 0		
						0101 SHDN1 Down 1		
						0110 SHDNL Down QLINK		
						0111 SHDNC Down QC		
						1000 SHDNOV Down QN⊕QOVR		

Note 1. U = Source
Dest = Destination

Y BUS AND STATUS - SINGLE BIT SHIFT INSTRUCTIONS

Instruction	Opcode	Description	B/W	Y - Bus	Flag3	Flag2	Flag1	LINK	OVR	N	C	Z
SHR SHNR	SHUPZ SHUP1 SHUPL	Up 0 Up 1 Up QLINK	1 = W	Y _i - SRC _{i-1} , i = 1 to 15; Y ₀ - Shift Input	NC	NC	NC	SRC ₁₅ *	0	SRC ₁₄	0	U
			0 = B	Y _i - SRC _{i-1} , i = 1 to 7; Y ₀ - Shift Input; Y ₈ - SRC ₇ , Y _i - SRC _{i-9} for i = 9 to 15	NC	NC	NC	SRC ₇ *	0	SRC ₆	0	U
	SHDNZ SHDN1 SHDNL SHDNC SHCNOV	Down 0 Down 1 Down QLINK Down QC Down QN⊕QOVR	1 = W	Y _i - SRC _{i+1} , i = 0 to 14; Y ₁₅ - Shift Input	NC	NC	NC	SRC ₀ *	0	Shift Input	0	U
			0 = B	Y _i - SRC _{i+1} , i = 0 to 6; Y _i - SRC _{i-7} , i = 8 to 14; Y _{7,15} - Shift Input	NC	NC	NC	SRC ₀ *	0	Shift Input	0	U

SRC = Source
U = Update
NC = No Change
0 = Reset
1 = Set
i = 0 to 15 when not specified

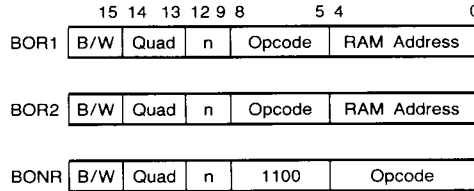
*Shifted Output is loaded into the QLINK.

BIT ORIENTED INSTRUCTIONS

The Bit Oriented Instructions contain four indicators: byte or word mode, operation, source/destination, and the bit position of the bit to be operated on (Bit 0 is the least significant bit). They are further subdivided into two types. The first type uses the RAM as both source and destination and has two kinds of formats which differ only by quadrant. The second type does not use the RAM as a source or a destination. Under the control of the instruction inputs, the desired function is performed on the specified source and the result is stored in the specified destination or placed on the Y-bus or both. The operations which can be performed are: Set Bit n which forces the n^{th} bit to a ONE leaving other bits unchanged; Reset Bit n

which forces the n^{th} bit to ZERO leaving the other bits unchanged; Test Bit n, which sets the ZERO Status Bit depending on the state of bit n leaving all the bits unchanged; Load 2^n , which loads ONE in Bit position n and ZERO in all other bit positions; Load 2^n which loads ZERO in bit position n and ONE in all other bit positions; increment by 2^n , which adds 2^n to the operand; and decrement by 2^n which subtracts 2^n from the operand. For all the Load, Set, Reset and Test instructions, the N and Z bits are affected and OVR and C bit of the Status register are forced to ZERO. For all arithmetic instructions the LSH (OVR, C, N, Z bits) of the Status register is affected.

BIT ORIENTED FIELD DEFINITIONS



BIT ORIENTED INSTRUCTIONS

Instruction	B/W	Quad	n	Opcode	RAM Address
BOR1	0 = B 1 = W	11	0 to 15	1101 SETNR Set RAM, bit n	00000 R00 RAM Reg 00
				1110 RSTNR Reset RAM, bit n
				1111 TSTNR Test RAM, bit n	11111 R31 RAM Reg 31
Instruction	B/W	Quad	n	Opcode	RAM Address
BOR2	0 = B 1 = W	10	0 to 15	1100 LD2NR 2^n - RAM	00000 R00 RAM Reg 00
				1101 LDC2NR 2^n - RAM
				1110 A2NR RAM plus 2^n - RAM	11111 R31 RAM Reg 31
				1111 S2NR RAM minus 2^n - RAM	
Instruction	B/W	Quad	n	Opcode	
BONR	0 = B 1 = W	11	0 to 15	1100	00000 TSTNA Test ACC, bit n
					00001 RSTNA Reset ACC, bit n
					00010 SETNA Set ACC, bit n
					00100 A2NA ACC plus 2^n - ACC
					00101 S2NA ACC minus 2^n - ACC
					00110 LD2NA 2^n - ACC
					00111 LDC2NA 2^n - ACC
					10000 TSTND Test D, bit n
					10001 RSTND Reset D, bit n
					10010 SETND Set D, bit n
					10100 A2NDY D plus 2^n - Y BUS
					10101 S2NDY D minus 2^n - Y BUS
					10110 LS2NY 2^n - Y Bus
					10111 LDC2NY 2^n - Y Bus

BIT ORIENTED INSTRUCTIONS

Y BUS AND STATUS – BIT ORIENTED INSTRUCTIONS

Instruction	Opcode	Description	B/W	Y – Bus	Flag3	Flag2	Flag1	LINK	OVR	N	C	Z
BOR1	SETNR	Set RAM Bit n	0 = B 1 = W	$Y_i - RAM_i$ for $i \neq n$; $Y_n - 1$	NC	NC	NC	NC	0	U	0	0
	RSTNR	Reset RAM, Bit n		$Y_i - RAM_i$ for $i \neq n$; $Y_n - 0$	NC	NC	NC	NC	0	U	0	U
	TSTNR	Test Ram, Bit n		$Y_i - 0$ for $i \neq n$; $Y_n - SRC_n$	NC	NC	NC	NC	0	U	0	U
BOR2	LD2NR	$2^n - RAM$		$Y_i - 0$ for $i \neq n$; $Y_n - 1$	NC	NC	NC	NC	0	U	0	0
	LDC2NR	$2^n - RAM$		$Y_i - 1$ for $i \neq n$; $Y_n - 0$	NC	NC	NC	NC	0	U	0	0
	A2NR	$RAM + 2^n - RAM$		$Y - RAM + 2^n$	NC	NC	NC	NC	U	U	U	U
	S2NR	$RAM - 2^n - RAM$		$Y - RAM - 2^n$	NC	NC	NC	NC	U	U	U	U
BONR	TSTNA	Test ACC, Bit n		$Y_i - 0$ for $i \neq n$; $Y_n - ACC_n$	NC	NC	NC	NC	0	U	0	U
	RSTNA	Reset ACC, Bit n		$Y_i - ACC_i$ for $i \neq n$; $Y_n - 0$	NC	NC	NC	NC	0	U	0	U
	SETNA	Set ACC, Bit n		$Y_i - ACC_i$ for $i \neq n$; $Y_n - 1$	NC	NC	NC	NC	0	U	0	0
	A2NA	$ACC + 2^n - ACC$		$Y - ACC + 2^n$	NC	NC	NC	NC	U	U	U	U
	S2NA	$ACC - 2^n - ACC$		$Y - ACC - 2^n$	NC	NC	NC	NC	U	U	U	U
	LD2NA	$2^n - ACC$		$Y_i - 0$ for $i \neq n$; $Y_n - 1$	NC	NC	NC	NC	0	U	0	0
	LDC2NA	$2^n - ACC$		$Y_i - 1$ for $i \neq n$; $Y_n - 0$	NC	NC	NC	NC	0	U	0	0
	TSTND	Test D, Bit n		$Y_i - 0$ for $i \neq n$; $Y_n - D_n$	NC	NC	NC	NC	0	U	0	U
	RSTND	Reset D, Bit n*		$Y_i - D_i$ for $i \neq n$; $Y_n - 0$	NC	NC	NC	NC	0	U	0	U
	SETND	Set D, Bit n*		$Y_i - D_i$ for $i \neq n$; $Y_n - 1$	NC	NC	NC	NC	0	U	0	0
	A2NDY	$D + 2^n - Y$ Bus		$Y - D + 2^n$	NC	NC	NC	NC	U	U	U	U
	S2NDY	$D - 2^n - Y$ Bus		$Y - D - 2^n$	NC	NC	NC	NC	U	U	U	U
	LD2NY	$2^n - Y$ Bus		$Y_i - 0$ for $i \neq n$; $Y_n - 1$	NC	NC	NC	NC	0	U	0	0
	LDC2NY	$2^n - Y$ Bus		$Y_i - 1$ for $i \neq n$; $Y_n - 0$	NC	NC	NC	NC	0	U	0	0

SRC = Source

U = Update

NC = No Change

0 = Reset

1 = Set

i = 0 to 15 when not specified

*Destination is not D Latch but Y Bus.

ROTATE BY n BITS INSTRUCTIONS

The Rotate by n Bits Instructions contain four indicators: byte or word mode, source, destination and the number of places the source is to be rotated. They are further subdivided into two types. The first type uses RAM as a source and/or a destination and the second type does not use RAM as a source or destination. The first type has two different formats and the only difference is in the quadrant. The second type has only one format as shown in the table. Under the control of instruction inputs, the n indicator specifies the number of bit positions the source is to be rotated up (0 to 15), and the result

is either stored in the specified destination or placed on the Y bus or both. An example of this instruction is given in Figure 5. In the Word mode, all 16-bits are rotated up; while in the Byte mode, only the lower 8-bits (0-7) are rotated up. In the Word mode, a rotate up by n bits is equivalent to a rotate down by (16-n) bits. Similarly, in the Byte mode a rotate up by n bits is equivalent to a rotate down by (8-n) bits. The N and Z bits of the Status Register are affected and OVR and C bits are forced to ZERO.

EXAMPLE: n = 4, Word Mode

Source 0001 0011 0111 1111
 Destination 0011 0111 1111 0001

EXAMPLE: n = 4, Byte Mode

Source 0001 0011 0111 1111
 Destination 0001 0011 1111 0111

Figure 5. Rotate by n Example

ROTATE BY n BITS FIELD DEFINITIONS

		15 14 13 12 9 8		5 4	0
ROTR1	B/W	Quad	n	SRC-Dest	RAM Address
ROTR2	B/W	Quad	n	SRC-Dest	RAM Address
ROTNR	B/W	Quad	n	1100	SRC-Dest

ROTATE BY n BITS INSTRUCTIONS

Instruction	B/W	Quad	n	U ¹	Dest ¹	RAM Address
ROTR1	0 = B 1 = W	00	0 to 15	1100	RTRA	RAM ACC
				1110	RTRY	RAM Y Bus
				1111	RTRR	RAM RAM
				00000	R00	RAM Reg 00
				11111	R31	RAM Reg 31

Instruction	B/W	Quad	n	U ¹	Dest ¹	RAM Address
ROTR2	0 = B 1 = W	01	0 to 15	0000	RTAR	ACC RAM
				0001	RTDR	D RAM
				00000	R00	RAM Reg 00
				11111	R31	RAM Reg 31

Instruction	B/W	Quad	n	U ¹	Dest ¹	RAM Address	
ROTNR	0 = B 1 = W	11	0 to 15	1100	11000	RTDY	D Y Bus
					11001	RTDA	D ACC
					11100	RTAY	ACC Y Bus
					11101	RTAA	ACC ACC

Note 1: U = Source
 Dest = Destination

Y BUS AND STATUS - ROTATE BY n BITS INSTRUCTIONS

Instruction	Op-code	B/W	Y - Bus	Flag3	Flag2	Flag1	LINK	OVR	N	C	Z
ROTR1 ROTR2 ROTNR		1 = W	$Y_i - SRC(i-n) \bmod 16$	NC	NC	NC	NC	0	SRC_{15-n}	0	U
		0 = B	$Y_i - SRC_i + 8 = SRC(i-n) \bmod 8$ for $i = 0$ to 7	NC	NC	NC	NC	0	SRC_{8-n}	0	U

SRC = Source
 U = No Change
 0 = Reset
 1 = Set
 i = 0 to 15 when not specified

ROTATE AND MERGE INSTRUCTION

The Rotate and Merge Instructions contain five indicators: byte or word mode, rotated source, non-rotated source/destination, mask and the number of bit positions a source is to be rotated. The function performed by the Rotate and Merge instruction is illustrated in Figure 6. The rotated source, U, is rotated up by the Barrel Shifter n places. The mask input then selects, on a bit by bit basis, the rotated U input or R

input. A ZERO in bit i of the mask will select the ith bit of the R input as the ith output bit, while ONE in bit i will select the ith rotated U input as the output bit. The output word is stored in the non-rotated operand location. The N and Z bits are affected. The OVR and C bits of the Status register are forced to ZERO. An example of this instruction is given in Figure 7.

ROTATE AND MERGE FIELD DEFINITIONS:

	15	14	13	12	9	8	5	4	0
ROTM	B/W		Quad	n	ROT SRC- Non ROT SRC- Mask			RAM Address	

EXAMPLE: n = 4, Word Mode

U	0011	0001	0101	0110
Rotated U	0001	0101	0110	0011
R	1010	1010	1010	1010
Mask (S)	0000	1111	0000	1111
Destination	1010	0101	1010	0011

Figure 7. Rotate and Merge Example

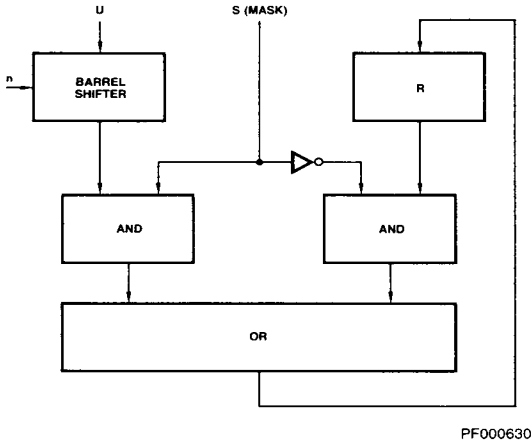


Figure 6. Rotate and Merge Function

ROTATE AND MERGE INSTRUCTION

Instruction	B/W	Quad	n	U ¹ R/Dest ¹ S ¹			RAM Address				
ROTM	0 = B 1 = W	01	0 to 15	0111	MDAI	D	ACC	I	00000	R00	RAM Reg 00
				1000	MDAR	D	ACC	RAM
				1001	MDRI	D	RAM	I
				1010	MDRA	D	RAM	ACC	11111	R31	RAM Reg 31
				1100	MARI	ACC	RAM	I
				1110	MRAI	RAM	ACC	I

Note 1. U = Rotated Source
R/Dest = Non-Rotated Source and Destination
S = Mask

Y BUS AND STATUS - ROTATED MERGE

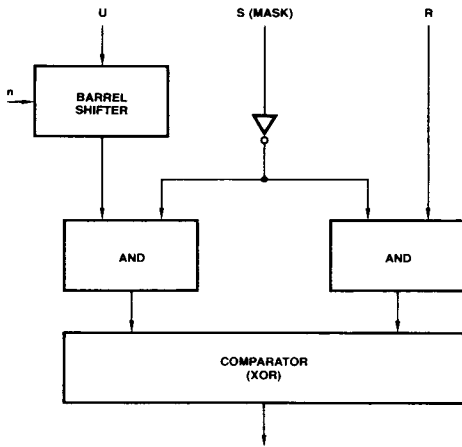
Instruction	Opcode	B/W	Y - Bus	Flag3	Flag2	Flag1	LINK	OVR	N	C	Z
ROTM		1=W	Y _i ← (Non Rot Op) _i · (mask) _i + (Rot Op) _{(i-n)mod 16} · (mask) _i	NC	NC	NC	NC	0	U	0	U
		0=B	Y _i ← (Non Rot Op) _i · (mask) _i + (Rot Op) _{(i-n)mod 8} · (mask) _i	NC	NC	NC	NC	0	U	0	U

U = Update
NC = No Change
0 = Reset
1 = Set
i = 0 to 15 when not specified

ROTATE AND COMPARE INSTRUCTIONS

The Rotate and Compare Instructions contain five indicators: byte or word mode, rotated source, non-rotated source, mask, and the number of bit positions the rotated source is to be rotated up. Under the control of instruction inputs, the function performed by the Rotate and Compare instruction is illustrated in Figure 8. The rotated operand is rotated by the Barrel Shifter in places. The mask is inverted and ANDed on a bit-by-bit basis

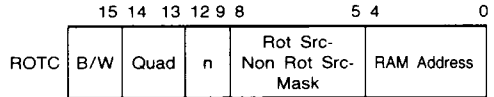
with the output of the Barrel Shifter and R input. Thus, a ONE in the mask input eliminates that bit from the comparison. A ZERO allows the comparison. If the comparison passes, the Zero flag is set. If it fails, the Zero flag is reset. The N and Z bit are affected. The OVR and C bits of the Status register are forced to ZERO. An example of this instruction is given in Figure 9.



PF000650

Figure 8. Rotate and Compare Function

ROTATE AND COMPARE FIELD DEFINITIONS



EXAMPLE: n = 4, Word Mode

U	0011	0001	0101	0110
U Rotated	0001	0101	0110	0011
R	0001	0101	1111	0000
Mask (S)	0000	0000	1111	1111
Z (status) = 1				

Figure 9. Rotate and Compare Examples

ROTATE AND COMPARE INSTRUCTIONS

Instruction	B/W	Quad	n	U ¹ R ¹ S ¹			RAM Address				
ROTC	0 = B	01	0 to 15	0010	CDAI	D	ACC	I	00000	R00	RAM Reg 00
	1 = W			0011	CDRI	D	RAM	I
				0100	CDRA	D	RAM	ACC	11111	R31	RAM Reg 31
				0101	CRAI	RAM	ACC	I			

Note 1. U = Rotated Source
R = Non-Rotated Source
S = Mask

Y BUS AND STATUS - ROTATE AND COMPARE

Instruction	Opcode	B/W	Y - Bus	Flag3	Flag2	Flag1	LINK	OVR	N	C	Z
ROTC		1 = W	$Y_i \leftarrow ((\text{Non Rot Op})_i \cdot (\text{mask})_i) \oplus ((\text{Rot Op})_{(i-n) \bmod 16} \cdot (\text{mask})_i)$	NC	NC	NC	NC	0	U	0	U
		0 = B	$Y_i \leftarrow ((\text{Non Rot Op})_i \cdot (\text{mask})_i) \oplus ((\text{Rot Op})_{(i-n) \bmod 8} \cdot (\text{mask})_i)$	NC	NC	NC	NC	0	U	0	U

U = Update
NC = No Change
0 = Reset
1 = Set
i = 0 to 15 when not specified

PRIORITIZE INSTRUCTION

The Prioritize Instructions contain four indicators: byte or word mode, operand source (R), mask source (S) and destination. They are further subdivided into two types. The function performed by the Prioritize instruction is shown in Figure 10. The R operand is ANDed with the complement of the Mask operand. A ZERO in the Mask operand allows the corresponding bit in the R operand to participate in the priority encoding function. A ONE in the Mask operand forces the corresponding bit in the R operand to a ZERO, eliminating it from participation in the priority encoding function.

The priority encoder accepts a 16-bit input and produces a 5-bit binary-weighted code indicating the bit position of the highest priority active bit. If none of the inputs are active, the output is ZERO. In the Word mode, if input bit 15 is active, the output is 1, etc. Figure 11 lists the output as a function of the highest-priority active-bit position in both the Word and Byte mode. The N and Z bits are affected and the OVR and C bits of the status register are forced to ZERO. The only limitation in this instruction is that the operand and the mask must be different sources.

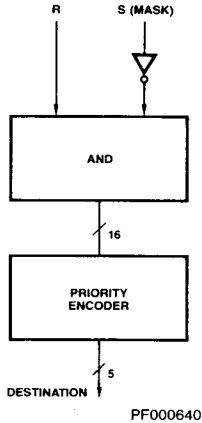


Figure 10. Prioritize Function

PRIORITIZE INSTRUCTION FIELD DEFINITIONS

		15	14	13	12			9	8			5	4			0
B/W	Quad	Destination				Source (R)				RAM Address/ Mask (S)						
B/W	Quad	Mask (S)				Destination				RAM Address/ Source (R)						
B/W	Quad	Mask (S)				Source (R)				RAM Address/ Destination						
B/W	Quad	Mask (S)				Source (R)				Destination						

WORD MODE

BYTE MODE*

Highest Priority Active Bit	Encoder Output	Highest Priority Active Bit	Encoder Output
None	0	None	0
15	1	7	1
14	2	6	2
.	.	.	.
.	.	.	.
1	15	1	7
0	16	0	8

*Bits 8 through 15 do not participate.

Figure 11.

PRIORITIZE INSTRUCTION

Instruction	B/W	Quad	Destination			Source (R)			RAM Address/Mask (S)		
PRT1	0 = B 1 = W	10	1000 1010 1011	PRIA PR1Y PR1R	ACC Y Bus RAM	0111 1001	RPT1A PR1D	ACC D	00000 .. 11111	R00 .. R31	RAM Reg 00 RAM Reg 31
Instruction	B/W	Quad	Mask (S)			Destination			RAM Address/Source (R)		
PRT2	0 = B 1 = W	10	1000 1010 1011	PRA PRZ PRI	Acc 0 I	0000 0010	PR2A PR2Y	ACC Y Bus	00000 .. 11111	R00 .. R31	RAM Reg 00 RAM Reg 31
Instruction	B/W	Quad	Mask (S)			Source (R)			RAM Address/Dest		
PRT3	0 = B 1 = W	10	1000 1010 1011	PRA PRZ PRI	ACC 0 I	0011 0100 0110	PR3R PR3A PR3D	RAM ACC D	00000 .. 11111	R00 .. R31	RAM Reg 00 RAM Reg 31
Instruction	B/W	Quad	Mask (S)			Source (R)			Destination		
PRTNR	0 = B 1 = W	11	1000 1010 1011	PRA PRZ PRI	ACC 0 I	0100 0110	PRTA PRTD	ACC D	00000 00001	NRY NRA	Y Bus ACC

Y BUS AND STATUS - PRIORITIZE INSTRUCTION

Instruction	Opcode	B/W	Y - Bus	Flag3	Flag2	Flag1	LINK	OVR	N	C	Z
PRT1 PRT2		1 = W	$Y_i = \text{CODE} (\overline{\text{SCR}_n \cdot \text{mask}_n})$; $Y_m = 0$; $i = 0$ to 4 and $n = 0$ to 15 $m = 5$ to 15	NC	NC	NC	NC	0	U	0	U
PRT3 PRTNR		0 = B	$Y_i = \text{CODE} (\overline{\text{SCR}_n \cdot \text{mask}_n})$; $Y_m = 0$; $i = 0$ to 3 and $n = 0$ to 7 $m = 4$ to 15	NC	NC	NC	NC	0	U	0	U

SRC = Source
U = Update

NC = No Change
0 = Reset

1 = Set
 $i = 0$ to 15 when not specified

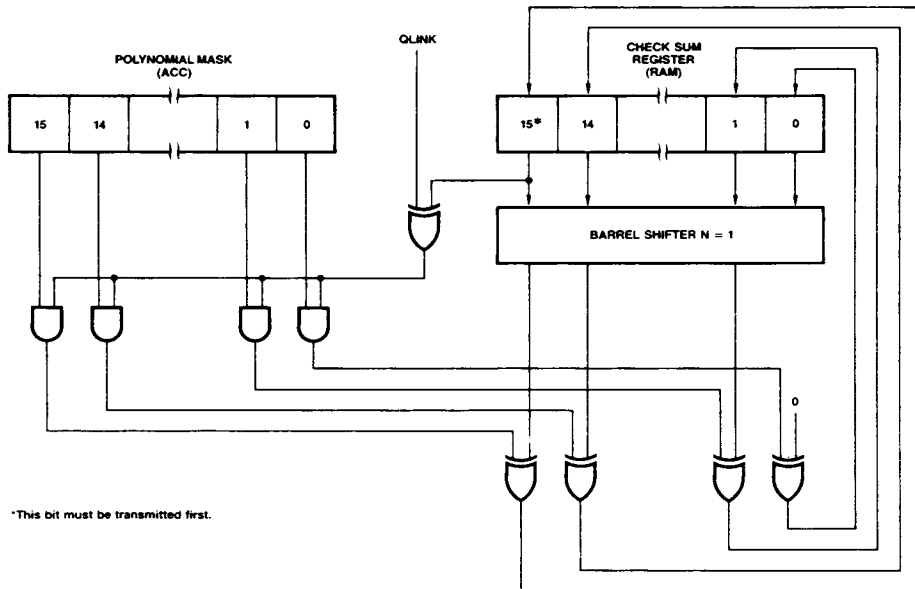
CRC INSTRUCTION

The CRC (Cyclic-Redundancy-Check) Instructions contain one indicator: address of a RAM register to use as the check sum register. The CRC instruction provides a method for generation of the check bits in a CRC calculation. Two CRC instructions are provided - CRC Forward and CRC Reverse. The reason for providing two instructions is that CRC standards do not specify which data bit is to be transmitted first, the LSB or the MSB, but they do specify which check bit must be transmitted first. Figure 12 illustrates the method used to generate these check bits for the CRC Forward function and

Figure 13 illustrates method used for the 2CRC Reverse function. The ACC serves as a polynomial mask to define the generating polynomial while the RAM register holds the partial result and eventually the calculated check sum. The LINK-bit is used as the serial input. The serial input combines with the MSB of the check-sum register, according to the polynomial defined by the polynomial mask register. When the last input bit has been processed, the check-sum register contains the CRC check bits. The LINK, N and Z bits are affected and the OVR and C bits of the Status register are forced to ZERO.

CYCLIC-REDUNDANCY-CHECK DEFINITIONS:

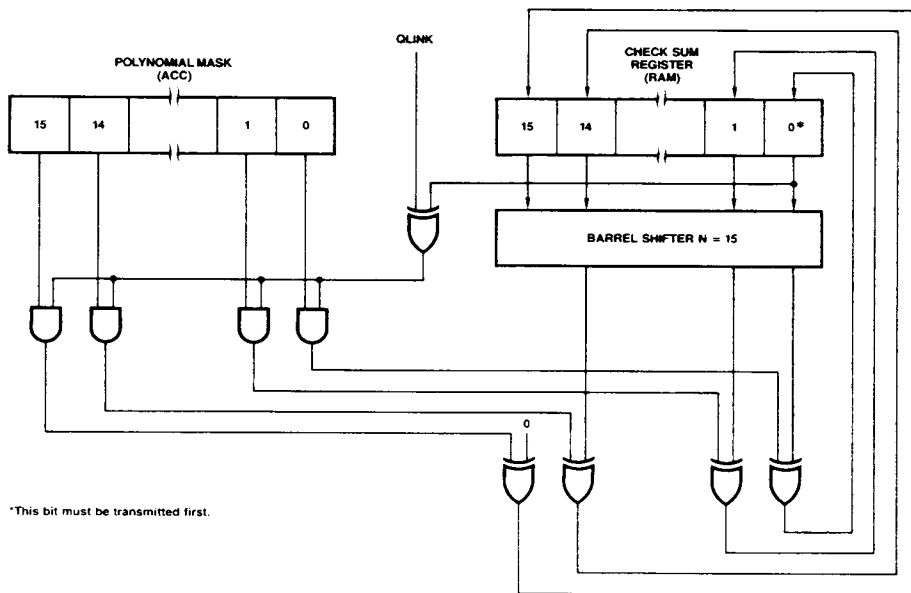
	15	14	13	12	9	8	5	4	0
CRCF	1	Quad	0110	0011	RAM	Address			
CRCR	1	Quad	0110	1001	RAM	Address			



PF000330

Figure 12. CRC Forward Function

CRC INSTRUCTION



PF000320

Figure 13. CRC Reverse Function

CYCLIC REDUNDANCY CHECK

Instruction	B/W	Quad			RAM Address		
CRCF	1	10	0110	0011	00000	R00	RAM Reg 00
					11111	R31	RAM Reg 31
Instruction	B/W	Quad			RAM Address		
CRCR	1	10	0110	1001	00000	R00	RAM Reg 00
					11111	R31	RAM Reg 31

Y BUS AND STATUS - CYCLIC REDUNDANCY CHECK

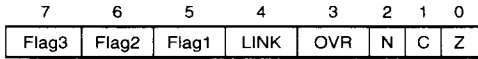
Instruction	Opcode	B/W	Y - Bus	Flag3	Flag2	Flag1	LINK	OVR	N	C	Z
CRCF		1 = W	$Y_1 = [(QLINK \oplus RAM_{15}) \cdot ACC_1]$ $\oplus RAM_{i-1} \text{ for } i = 15 \text{ to } 1$ $Y_0 = [(QLINK \oplus RAM_{15}) \cdot ACC_0] \oplus 0$	NC	NC	NC	RAM ₁₅ *	0	U	0	U
CRCR		1 = W	$Y_1 = [(QLINK \oplus RAM_0) \cdot ACC_1]$ $\oplus RAM_{i+1} \text{ for } i = 14 \text{ to } 0$ $Y_{15} = [(QLINK \oplus RAM_0) \cdot ACC_{15}] \oplus 0$	NC	NC	NC	RAM ₀ *	0	U	0	U

*QLINK is loaded with the shifted out bit from the checksum register.

U = Update
 NC = No Change
 0 = Reset
 1 = Set
 i = 0 to 15 when not specified

STATUS INSTRUCTIONS

Status Instructions – The Set Status Instruction contains a single indicator. This indicator specifies which bit or group of bits, contained in the status register (Figure 14), are to be set (forced to a ONE).



MPR-775

Figure 14. Status Byte

The Reset Status Instruction contains a single indicator. This indicator specifies which bit or group of bits, contained in the status register, are to be reset (forced to ZERO).

The Store Status Instruction contains two indicators; byte/word and a second indicator that specifies the destination of the status register. The Store Status Instruction allows the status of the processor to be saved and restored later, which is an especially useful function for interrupt handling.

The status register is always stored in the lower byte of the RAM or the ACC register. Depending upon byte or word mode the upper byte is unchanged or loaded with all ZEROS respectively.

The Load Status instructions are included in the single operand and two operand instruction types.

The Test Status Instructions contain a single indicator which specifies which one of the 12 possible test conditions are to be placed on the Conditional-Test output. Besides the eight bits in the Status register (QZ, QC, QN, QOVR, QLINK, QFlag1, QFlag 2, and QFlag3), four logical functions (QN ⊕ QOVR), (QN ⊕ QOVR) + QZ, QZ + Q̄C and LOW may also be selected. These functions are useful in testing results of Two's Complement and unsigned number arithmetic operations. The status register may also be tested via the bidirectional T bus. The code to test the status register via T bus is similar to the code used by instruction lines I₁ to I₄ as shown below. Instruction lines I₀ – 4 have priority over T bus for testing the

status register on CT output. See the discussion on the status register for a full description.

T ₄ I ₄	T ₃ I ₃	T ₂ I ₂	T ₁ I ₁	CT
0	0	0	0	(N ⊕ OVR) + Z
0	0	0	1	N ⊕ OVR
0	0	1	0	Z
0	0	1	1	OVR
0	1	0	0	LOW*
0	1	0	1	C
0	1	1	0	Z + C̄
0	1	1	1	N
1	0	0	0	LINK
1	0	0	1	Flag1
1	0	1	0	Flag2
1	0	1	1	Flag3

*LOW = CT is forced LOW

STATUS

	15	14	13	12	9	8	5	4	0
SETST	0	Quad	1011	1010	Opcode				
RSTST	0	Quad	1010	1010	Opcode				
SVSTR	B/W	Quad	0111	1010	RAM Address/Dest				
SVSTNR	B/W	Quad	0111	1010	Destination				

STATUS INSTRUCTIONS

Instruction	B/W	Quad			Opcode		
SETST	0	11	1011	1010	00011 00101 00110 01001 01010	SONCZ SL SF1 SF2 SF3	Set OVR, N, C, Z Set LINK Set Flag1 Set Flag2 Set Flag3
Instruction	B/W	Quad			Opcode		
RSTST	0	11	1010	1010	00011 00101 00110 01001 01010	RONCZ RL RF1 RF2 RF3	Reset OVR, N, C, Z Reset LINK Reset Flag1 Reset Flag2 Reset Flag3
Instruction	B/W	Quad			RAM Address/Dest		
SVSTR	0 = B 1 = W	10	0111	1010	00000 .. 11111	R00 .. R31	RAM Reg 00 RAM Reg 31
Destination							
SVSTNR	0 = B 1 = W	11	0111	1010	00000 00001	NRY NRA	Y Bus ACC

STATUS INSTRUCTIONS

Instruction	B/W	Quad			Opcode (CT)		
Test	0	11	1001	1010	00000 00010 00100 00110 01000 01010 01100 01110 10000 10010 10100 10110	TNOZ TNO TZ TOVR TLOW TC TZC TN TL TF1 TF2 TF3	Test (N≠OVR) + Z Test N≠OVR Test Z Test OVR Test LOW Test C Test Z + \bar{C} Test N Test LINK Test Flag1 Test Flag2 Test Flag3

Note: $\bar{I}EN$ - test status instruction has priority over T_{1-4} instruction.

Y BUS AND STATUS - FOR STATUS INSTRUCTIONS

Instruction	Opcode	Description	B/W	Y - Bus	Flag3	Flag2	Flag1	LINK	OVR	N	C	Z	
SETST	SONCZ	Set OVR, N, C, Z	0 = B	Y_{i-1} for $i = 0$ to 15	NC	NC	NC	NC	1	1	1	1	
	SL	Set LINK			NC	NC	NC	1	NC	NC	NC	NC	NC
	SF1	Set Flag1			NC	NC	1	NC	NC	NC	NC	NC	NC
	SF2	Set Flag2			NC	1	NC	NC	NC	NC	NC	NC	NC
	SF3	Set Flag3			1	NC	NC	NC	NC	NC	NC	NC	NC
RSTST	RONCZ	Reset OVR, N, C, Z	0 = B	Y_{i-0} for $i = 0$ to 15	NC	NC	NC	NC	0	0	0	0	
	RL	Reset LINK			NC	NC	NC	0	NC	NC	NC	NC	
	RF1	Reset Flag1			NC	NC	0	NC	NC	NC	NC	NC	
	RF2	Reset Flag2			NC	0	NC	NC	NC	NC	NC	NC	
	RF3	Reset Flag3			0	NC	NC	NC	NC	NC	NC	NC	
SVSTR SVSTNR		Save Status*	0 = B 1 = W	Y_{i-} Status for $i = 0$ to 7; Y_{i-0} for $i = 8$ to 15	NC	NC	NC	NC	NC	NC	NC		
Test	TNOZ	Test (N≠OVR) + Z	0 = B	**	NC	NC	NC	NC	NC	NC	NC	NC	
	TNO	Test N≠OVR			NC	NC	NC	NC	NC	NC	NC	NC	
	TZ	Test Z			NC	NC	NC	NC	NC	NC	NC	NC	
	TOVR	Test OVR			NC	NC	NC	NC	NC	NC	NC	NC	
	TLOW	Test LOW			NC	NC	NC	NC	NC	NC	NC	NC	
	TC	Test C			NC	NC	NC	NC	NC	NC	NC	NC	
	TZC	Test Z + \bar{C}			NC	NC	NC	NC	NC	NC	NC	NC	
	TN	Test N			NC	NC	NC	NC	NC	NC	NC	NC	
	TL	Test LINK			NC	NC	NC	NC	NC	NC	NC	NC	
	TF1	Test Flag1			NC	NC	NC	NC	NC	NC	NC	NC	
	TF2	Test Flag2			NC	NC	NC	NC	NC	NC	NC	NC	
	TF3	Test Flag3			NC	NC	NC	NC	NC	NC	NC	NC	

U = Update

NC = No Change

0 = Reset

1 = Set

$i = 0$ to 15 when not specified

*In byte mode only the lower byte from the Y bus is loaded into the RAM or ACC and in word mode all 16-bits from the Y bus are loaded into the RAM or ACC.

**Y-Bus is Undefined.

NO-OP INSTRUCTION

The NO-OP Instruction has a fixed 16-bit code. This instruction does not change any internal registers in the Am29C116. It preserves the status register, RAM register and the ACC register.

NO OPERATION FIELD DEFINITION

	15	14	13	12	9	8	5	4	0
NOOP	0	11	1000	1010	00000				

NO-OP INSTRUCTION

Instruction	B/W	Quad			
NOOP	0	11	1000	1010	00000

Y BUS AND STATUS - NO-OP INSTRUCTION

Instruction	Opcode	B/W	Y - Bus	Flag3	Flag2	Flag1	LINK	OVR	N	C	Z
NOOP		0 = B	*	NC	NC	NC	NC	NC	NC	NC	NC

SRC = Source
 U = Update
 NC = No Change
 0 = Reset
 1 = Set
 i = 0 to 15 when not specified
 *Y-Bus is undefined.

SUMMARY OF MNEMONICS

Instruction Type

SOR	Single Operand RAM
SONR	Single Operand Non-RAM
TOR1	Two Operand RAM (Quad 0)
TOR2	Two Operand RAM (Quad 2)
TONR	Two Operand Non-RAM
SHFTR	Single Bit Shift RAM
SHFTNR	Single Bit Shift Non-RAM
ROTR1	Rotate n Bits RAM (Quad 0)
ROTR2	Rotate n Bits RAM (Quad 1)
ROTNR	Rotate n Bits Non-RAM
BOR1	Bit Oriented RAM (Quad 3)
BOR2	Bit Oriented RAM (Quad 2)
BONR	Bit Oriented Non-RAM
ROTM	Rotate and Merge
ROTC	Rotate and Compare
PRT1	Prioritize RAM; Type 1
PRT2	Prioritize RAM; Type 2
PRT3	Prioritize RAM; Type 3
PRTNR	Prioritize Non-RAM
CRCF	Cyclic Redundancy Check Forward
CRCR	Cyclic Redundancy Check Reverse
NOOP	No Operation
SETST	Set Status
RSTST	Reset Status
SVSTR	Save Status RAM
SVSTNR	Save Status Non-RAM
TEST	Test Status

SOURCE AND DESTINATION

Single Operand

SORA	Single Operand RAM to ACC
SORY	Single Operand RAM to Y Bus
SORS	Single Operand RAM to Status
SOAR	Single Operand ACC to RAM
SODR	Single Operand D to RAM
SOIR	Single Operand I to RAM
SOZR	Single Operand 0 to RAM
SOZER	Single Operand D(OE) to RAM
SOSER	Single Operand D(SE) to RAM
SORR	Single Operand RAM to RAM
SOA	Single Operand ACC
SOD	Single Operand D
SOI	Single Operand I
SOZ	Single Operand 0
SOZE	Single Operand D(OE)
SOSE	Single Operand D(SE)
NRY	Non-RAM Y Bus
NRA	Non-RAM ACC
NRS	Non-RAM Status
NRAS	Non-RAM ACC, Status

Two Operand

TORAA	Two Operand RAM, ACC to ACC
TORIA	Two Operand RAM, I to ACC
TODRA	Two Operand D, RAM to ACC
TORAY	Two Operand RAM, ACC to Y Bus
TORIY	Two Operand RAM, I to Y Bus
TODRY	Two Operand D, RAM to Y Bus
TORAR	Two Operand RAM, ACC to RAM
TORIR	Two Operand RAM, I to RAM
TODRR	Two Operand D, RAM to RAM
TODAR	Two Operand D, ACC to RAM
TOAIR	Two Operand ACC, I to RAM
TODIR	Two Operand D, I to RAM
TODA	Two Operand D, ACC
TOAI	Two Operand ACC, I
TODI	Two Operand D, I

Single Bit Shift

SHRR	Shift RAM, Store in RAM
SHDR	Shift D, Store in RAM
SHA	Shift ACC
SHD	Shift D

Rotate n Bits

RTRA	Rotate RAM, Store in ACC
RTRY	Rotate RAM, Place on Y Bus
RTRR	Rotate RAM, Store in RAM
RTAR	Rotate ACC, Store in RAM
RTDR	Rotate D, Store in RAM
RTDY	Rotate D, Place on Y Bus
RTDA	Rotate D, Store in ACC
RTAY	Rotate ACC, Place on Y Bus
RTAA	Rotate ACC, Store in ACC

Rotate and Merge

MDAI	Merge Disjoint Bits of D and ACC Using I as Mask and Store in ACC
MDAR	Merge Disjoint Bits of D and ACC Using RAM as Mask and Store in ACC
MDRI	Merge Disjoint Bits of D and RAM Using I as Mask and Store in RAM
MDRA	Merge Disjoint Bits of D and RAM Using ACC as Mask and Store in RAM
MARI	Merge Disjoint Bits of ACC and RAM Using I as Mask and Store in RAM
MRAI	Merge Disjoint Bits of RAM and ACC Using I as Mask and Store in ACC

Rotate and Compare

CDAI	Compare Unmasked Bits of D and ACC Using I as Mask
------	--

Mnemonics copyright © 1980
Advanced Micro Devices, Inc.

CDRI Compare Unmasked Bits of D and RAM Using I as Mask
 CDRA Compare Unmasked Bits of D and RAM Using ACC as Mask
 CRAI Compare Unmasked Bits of RAM and ACC Using I as Mask

Prioritize

PR1A ACC as Destination for Prioritize Type 1
 PR1Y Y Bus as Destination for Prioritize Type 1
 PR1R RAM as Destination for Prioritize Type 1
 PRT1A ACC as Source for Prioritize Type 1
 PR1D D as Source for Prioritize Type 1
 PR2A ACC as Destination for Prioritize Type 2
 PR2Y Y Bus as Destination for Prioritize Type 2
 PR3R RAM as Source for Prioritize Type 3
 PR3A ACC as Source for Prioritize Type 3
 PR3D D as Source for Prioritize Type 3
 PR2A ACC as source for Prioritize Type Non-RAM
 PRTD D as Source for Prioritize Type Non-RAM
 PRA ACC as Mask for Prioritize Type 2, 3, and Non-RAM
 PRZ Mask Equal to Zero for Prioritize Type 2, 3, and Non-RAM
 PRI I as Mask for Prioritize Type 2, 3, and Non-RAM

OPCODE

Addition

ADD Add without Carry
 ADDC Add with Carry
 A2NA Add 2^n to ACC
 A2NR Add 2^n to RAM
 A2NDY Add 2^n to D, Place on Y Bus

Subtraction

SUBR Subtract R from S without Carry
 SUBRC Subtract R from S with Carry
 SUBS Subtract S from R without Carry
 SUBSC Subtract S from R with Carry
 S2NR Subtract 2^n from RAM
 S2NA Subtract 2^n from ACC
 S2NDY Subtract 2^n from D, Place on Y Bus

Logical Operations

AND Boolean AND
 NAND Boolean NAND
 EXOR Boolean EXOR
 NOR Boolean NOR
 OR Boolean OR
 EXNOR Boolean EXNOR

SHIFTS

SHUPZ Shift Up Towards MSB with 0 Insert
 SHUP1 Shift Up Towards MSB with 1 Insert
 SHUPL Shift Up Towards MSB with LINK Insert

SHDNZ Shift Down Towards LSB with 0 Insert
 SHDN1 Shift Down Towards LSB with 1 Insert
 SHDNL Shift Down Towards LSB with LINK Insert
 SHDNC Shift Down Towards LSB with Carry Insert
 SHDNOV Shift Down Towards LSB with Sign EXOR Overflow Insert

Loads

LD2NR Load 2^n into RAM
 LDC2NR Load 2^n into RAM
 LD2NA Load 2^n into ACC
 LDC2NA Load 2^n into ACC
 LD2NY Place 2^n on Y Bus
 LDC2NY Place 2^n on Y Bus

Bit Oriented

SETNR Set RAM, Bit n
 SETNA Set ACC, Bit n
 SETND Set D, Bit n
 SONCZ Set OVR, N, C, Z, in Status Register
 SL Set LINK Bit in Status Register
 SF1 Set Flag1 Bit in Status Register
 SF2 Set Flag2 Bit in Status Register
 SF3 Set Flag3 Bit in Status Register
 RSTNR Reset RAM, Bit n
 RSTNA Reset ACC, Bit n
 RSTND Reset D, Bit n
 RONCZ Reset OVR, N, C, Z, in Status Register
 RL Reset LINK Bit in Status Register
 RF1 Reset Flag1 Bit in Status Register
 RF2 Reset Flag2 Bit in Status Register
 RF3 Reset Flag3 Bit in Status Register
 TSTNR Test RAM, Bit n
 TSTNA Test ACC, Bit n
 TSTND Test D, Bit n

Arithmetic Operations

MOVE Move and Update Status
 COMP Complement (1's Complement)
 INC Increment
 NEG Two's Complement

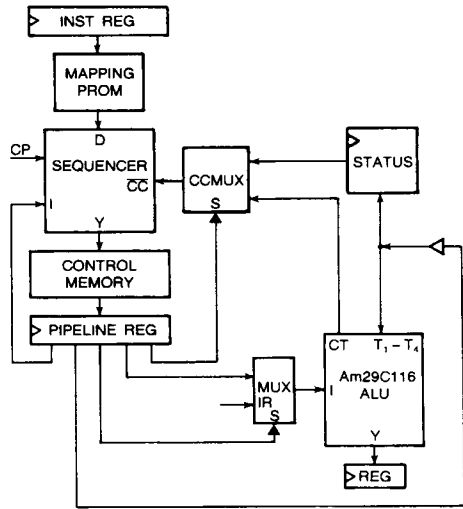
Conditional Test

TNOZ Test $(N \oplus OVR) + Z$
 TNO Test $N \oplus OVR$
 TZ Test Zero Bit
 TOVR Test Overflow Bit
 TLOW Test for LOW
 TC Test Carry Bit
 TZC Test $Z + \bar{C}$
 TN Test Negative Bit
 TL Test LINK Bit
 TF1 Test Flag1 Bit
 TF2 Test Flag2 Bit
 TF3 Test Flag3 Bit

Mnemonics copyright © 1980
 Advanced Micro Devices, Inc.

APPLICATIONS

Minimum System Cycle Time Calculations for the Am29C116



BD005953

Figure 15. System Block Diagram

DATA PATH TIMING ANALYSIS

I. Without Any External Logic			29C116	29C116-1	29C116-2
a.	Pipeline Register	CP-Q	12 ns	12 ns	12 ns
	RALU	I-T	84	73	60
	Status Register	Setup	4	4	4
	Cycle Time:		100 ns	89 ns	76 ns
b.	Pipeline Register	CP-Q	12 ns	12 ns	12 ns
	RALU	I-Y	79	65	57
	Data Register	Setup	4	4	4
	Cycle Time:		95 ns	81 ns	73 ns
II. With Multiplexers for Address, N-Count, etc.					
a.	Pipeline Register	CP-Q	12 ns	12 ns	12 ns
	Multiplexer	Sel-Y	15	15	15
	RALU	I-T	84	73	60
	Status Register	Setup	4	4	4
	Cycle Time:		115 ns	104 ns	91 ns
b.	Pipeline Register	CP-Q	12 ns	12 ns	12 ns
	Multiplexer	Sel-Y	15	15	15
	RALU	I-Y	79	65	57
	Data Register	Setup	4	4	4
	Cycle Time:		110 ns	96 ns	88 ns

The Use of an External Status Register in Reducing Microcycle Length

The standard connection of the CT pin of the Am29C116 and microcycle length calculation arising from that connection are shown below:

CRITICAL PATH TIMING (FIGURE 16-1)

Part Number	Path	Maximum Commercial Delay (ns)
Pipeline Register	CP-Q	12
Am29C116-2	I, T-CT	25
CC-MUX	D-W	7
Am29C10A-1	CC-Y	26
Control Memory	t _{AA}	40
Pipeline Register	Setup	4
		114

While 114-ns cycle time is quite fast, it can be improved by using an external register for status testing.

CRITICAL PATH TIMING (FIGURE 16-2)

Part Number	Path	Maximum Commercial Delay (ns)
Status Reg	CP-Y	12
CC-MUX	Sel-W	15
Am29C10A-1	CC-Y	26
Control Memory	t _{AA}	40
Pipeline Register	Setup	4
		97

The cycle time has been reduced from 114 ns to 97 ns.

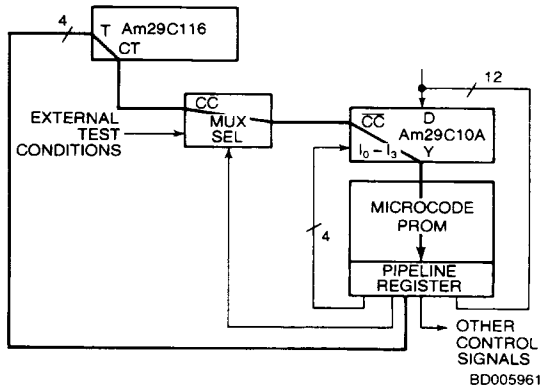


Figure 16-1.

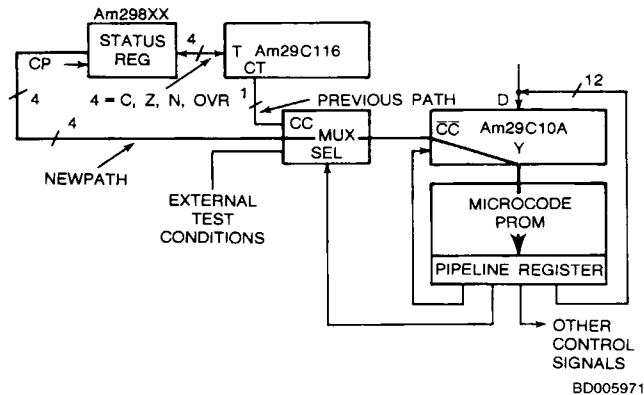


Figure 16-2.

ABSOLUTE MAXIMUM RATINGS

Storage Temperature -65 to +150°C
 (Case) Temperature Under Bias -55 to +125°C
 Supply Voltage to
 Ground Potential Continuous -0.3 V to +7.0 V
 DC Voltage Applied to Outputs For
 High Output State -0.3 V to +V_{CC} +0.3 V
 DC Input Voltage -0.3 V to +V_{CC} +0.3 V
 DC Output Current, Into LOW Outputs 30 mA
 DC Input Current -10 mA to +10 mA

Stresses above those listed under ABSOLUTE MAXIMUM RATINGS may cause permanent device failure. Functionality at or above these limits is not implied. Exposure to absolute maximum ratings for extended periods may affect device reliability.

OPERATING RANGES

Commercial (C) Devices
 Ambient Temperature (T_A) 0 to +70°C
 Supply Voltage (V_{CC}) +4.5 V to +5.5 V
 Military* (M) Devices
 Ambient Temperature (T_A) -55 to +125°C
 Supply Voltage (V_{CC}) +4.5 V to +5.5 V

Operating ranges define those limits between which the functionality of the device is guaranteed.

*Military Product 100% tested at T_A = +25°C, +125°C, and -55°C.

DC CHARACTERISTICS over operating ranges unless otherwise specified (for APL Products, Group A, Subgroups 1, 2, 3 are tested unless otherwise noted)

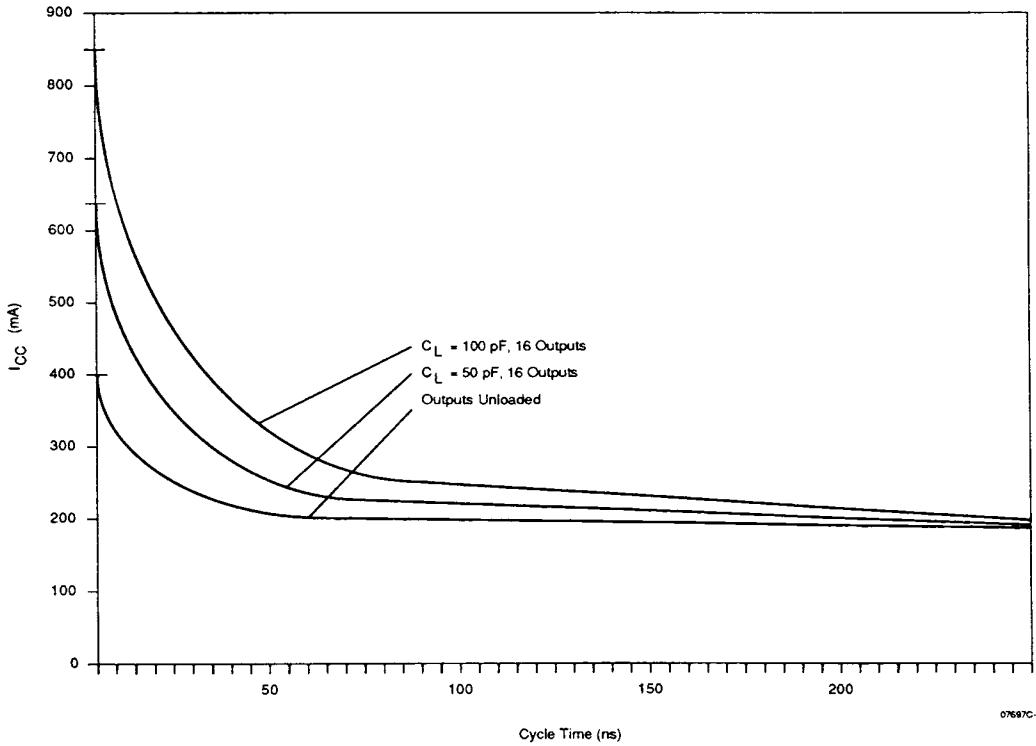
Parameter Symbol	Parameter Description	Test Conditions (Note 1)		Min.	Max.	Unit	
V _{OH}	Output HIGH Voltage	V _{CC} = Min. V _{IN} = V _{IH} or V _{IL}	I _{OH} = -1.6 mA/-1.2 mA (COM'L/MIL)	2.4		V	
V _{OL}	Output LOW Voltage	V _{CC} = Min. V _{IN} = V _{IH} or V _{IL}	I _{OL} = 16 mA/12 mA (COM'L/MIL)		0.5	V	
V _{IH}	Guaranteed Input Logical HIGH Voltage (Note 2)			2.0		V	
V _{IL}	Guaranteed Input Logical LOW Voltage (Note 2)				0.8	V	
I _{IL}	Input LOW Current	V _{CC} = Max. V _{IN} = 0.5 Volts			-10	μA	
I _{IH}	Input HIGH Current	V _{CC} = Max. V _{IN} = V _{CC} - 0.5 V			10	μA	
I _{OZH}	Off State (HIGH Impedance) Output Current	V _{CC} = Max. V _O = 2.4 Volts			10	μA	
I _{OZL}	Off State (HIGH Impedance) Output Current	V _{CC} = Max. V _O = 0.5 Volts			-10	μA	
I _{CC}	Static Power Supply Current (Note 3)	V _{CC} = Max. I _O = 0 μA	COM'L T _A = 0 to +70°C	(Note 4) CMOS V _{IN} = V _{CC} or GND		120	mA
				(Note 4) TTL V _{IN} = 0.5 V or 2.4 V		170	
			MIL T _A = -55 to +125°C	(Note 4) CMOS V _{IN} = V _{CC} or GND		145	
				(Note 4) TTL V _{IN} = 0.5 V or 2.4 V		200	
C _{PD}	Power Dissipation Capacitance (Note 5)	V _{CC} = 5.0 V T _A = 25°C No Load			850 pF Typical		

- Notes: 1. V_{CC} conditions shown as Min. or Max. refer to ±10% V_{CC} limits.
 2. These input levels provide zero-noise immunity and should only be statically tested in a noise-free environment (not functionally tested).
 3. Worst-case I_{CC} is measured at the lowest temperature in the specified operating range.
 4. Use CMOS I_{CC} when the device is driven by CMOS circuits and TTL I_{CC} when the device is driven by TTL circuits.
 5. C_{PD} determines the dynamic current consumption:

$$I_{CC} \text{ (Total)} = I_{CC} \text{ (Static)} + (C_{PD} + nCL) \frac{f}{2}$$

where f is the clock frequency, CL output load capacitance, and n number of loads.

29C116 I_{CC} vs Cycle Time



07697C-1

OP002660

Note: Values are calculated as typical total I_{CC} at $V_{CC} = 5.5$ V.

SWITCHING CHARACTERISTICS over **COMMERCIAL** operating range unless otherwise specified
 (T_A = 0 to +70°C, V_{CC} = 4.5 to 5.5 V, C_L = 50 pF)

Am29C116

A. Combinational Delays (nsec)

Input	Outputs		
	Y ₀₋₁₅	T ₁₋₄	CT
I ₀₋₄ (ADDR)	79	84	-
I ₀₋₁₅ (DATA)	79	84	-
I ₀₋₁₅ (INSTR)	79	84	48
DLE	58*	60	-
T ₁₋₄	-	-	39
CP	63	66	40
Y ₀₋₁₅	62*	64	-
iEN	-	-	43

Y₀₋₁₅ must be stored in the Data Latch and its source disabled before the delay to Y₀₋₁₅ as an output can be measured.

*Guaranteed indirectly by other tests.

B. Enable/Disable Times (nsec)
 (Disable: C_L = 5 pF, 0.5-V Change on Outputs)

From Input	To Output	Enable		Disable	
		t _{PZH}	t _{PZL}	t _{PHZ}	t _{PLZ}
OE _Y	Y ₀₋₁₅	22	22	22	22
OE _T	T ₁₋₄	25	25	25	25

C. Clock and Pulse Requirements (nsec)

Input	Min. LOW Time	Min. HIGH Time
CP	20	30
DLE	-	15
iEN	22	-

D. Setup and Hold Times (nsec)

Input	With Respect to	HIGH-to-LOW Transition		LOW-to-HIGH Transition		Comment			
		Setup	Hold	Setup	Hold				
I ₀₋₄ (RAM ADDR)	CP	(t _{s1}) 24	(t _{h1}) 0	-	-	Single ADDR (Source)			
I ₀₋₄ (RAM ADDR)	CP and iEN both LOW	(t _{s2}) 5	-	-	(t _{h7}) 2	Two ADDR (Destination)			
I ₀₋₁₅ (DATA)	CP	-	-	(t _{s8}) 65	(t _{h8}) 0				
I ₀₋₁₅ (INSTR)	CP	(t _{s3}) 38	(t _{h3}) 17	(t _{s9}) 65	(t _{h9}) 2				
iEN HIGH	CP	(t _{s4}) 10	-	-	(t _{h10}) 2	Disable			
iEN LOW	CP	-	(t _{s5}) 20	-	(t _{h5}) 1	(t _{s11}) 22	(t _{h11}) 1**	Enable	Immediate first cycle
SRE	CP	-	-	(t _{s12}) 17	(t _{h12}) 0				
Y	CP	-	-	(t _{s13}) 44	(t _{h13}) 0				
Y	DLE	(t _{s6}) 10	(t _{h6}) 6	-	-				
DLE	CP	-	-	(t _{s14}) 45	(t _{h14}) 0				

** Status register and accumulator destination only.

SWITCHING CHARACTERISTICS over **COMMERCIAL** operating range (Cont'd.)

Am29C116-1

A. Combinational Delays (nsec)

Input	Outputs		
	Y ₀₋₁₅	T ₁₋₄	CT
I ₀₋₄ (ADDR)	65	73	-
I ₀₋₁₅ (DATA)	65	73	-
I ₀₋₁₅ (INSTR)	65	73	30
DLE	55*	55	-
T ₁₋₄	-	-	27
CP	60	66	37
Y ₀₋₁₅	53*	53	-
IEN	-	-	25

Y₀₋₁₅ must be stored in the Data Latch and its source disabled before the delay to Y₀₋₁₅ as an output can be measured.

*Guaranteed indirectly by other tests.

B. Enable/Disable Times (nsec)
(Disable: C_L = 5 pF, 0.5-V Change on Outputs)

From Input	To Output	Enable		Disable	
		tpZH	tpZL	tpHZ	tpLZ
OE _Y	Y ₀₋₁₅	22	22	22	22
OET	T ₁₋₄	22	22	22	22

C. Clock and Pulse Requirements (nsec)

Input	Min. LOW Time	Min. HIGH Time
CP	20	30
DLE	-	15
IEN	20	-

D. Setup and Hold Times (nsec)

Input	With Respect to	HIGH-to-LOW Transition		LOW-to-HIGH Transition		Comment			
		Setup	Hold	Setup	Hold				
I ₀₋₄ (RAM ADDR)	CP	(t _{s1}) 13	(t _{h1}) 0	-	-	Single ADDR (Source)			
I ₀₋₄ (RAM ADDR)	CP and IEN both LOW	(t _{s2}) 5	-	-	(t _{h7}) 0	Two ADDR (Destination)			
I ₀₋₁₅ (DATA)	CP	-	-	(t _{s8}) 60	(t _{h8}) 0				
I ₀₋₁₅ (INSTR)	CP	(t _{s3}) 24	(t _{h3}) 12	(t _{s9}) 60	(t _{h9}) 0				
IEN HIGH	CP	(t _{s4}) 5	-	-	(t _{h10}) 2	Disable			
IEN LOW	CP	-	(t _{s5}) 5	-	(t _{h5}) 1	(t _{s11}) 10	(t _{h11}) 1**	Enable	Immediate first cycle
SRE	CP	-	-	(t _{s12}) 12	(t _{h12}) 0				
Y	CP	-	-	(t _{s13}) 42	(t _{h13}) 0				
Y	DLE	(t _{s6}) 6	(t _{h6}) 5	-	-				
DLE	CP	-	-	(t _{s14}) 43	(t _{h14}) 0				

** Status register and accumulator destination only.

SWITCHING CHARACTERISTICS over **COMMERCIAL** operating range

Am29C116-2

A. Combinational Delays (nsec)

Input	Outputs		
	Y ₀₋₁₅	T ₁₋₄	CT
I ₀₋₄ (ADDR)	57	60	-
I ₀₋₁₅ (DATA)	57	60	-
I ₀₋₁₅ (INSTR)	57	60	25
DLE	45*	45	-
T ₁₋₄	-	-	25
CP	50	55	29
Y ₀₋₁₅	45*	45	-
IEN	-	-	25

Y₀₋₁₅ must be stored in the Data Latch and its source disabled before the delay to Y₀₋₁₅ as an output can be measured.

*Guaranteed indirectly by other tests.

B. Enable/Disable Times (nsec)
(Disable: C_L = 5 pF, 0.5-V Change on Outputs)

From Input	To Output	Enable		Disable	
		t _{PZH}	t _{PZL}	t _{PHZ}	t _{PLZ}
OE _Y	Y ₀₋₁₅	22	22	22	22
OE _T	T ₁₋₄	22	22	22	22

C. Clock and Pulse Requirements (nsec)

Input	Min. LOW Time	Min. HIGH Time
CP	20	30
DLE	-	15
IEN	20	-

D. Setup and Hold Times (nsec)

Input	With Respect to	HIGH-to-LOW Transition		LOW-to-HIGH Transition		Comment			
		Setup	Hold	Setup	Hold				
I ₀₋₄ (RAM ADDR)	CP	(t _{s1}) 13	(t _{h1}) 0	-	-	Single ADDR (Source)			
I ₀₋₄ (RAM ADDR)	CP and IEN both LOW	(t _{s2}) 5	-	-	(t _{h7}) 0	Two ADDR (Destination)			
I ₀₋₁₅ (DATA)	CP	-	-	(t _{s8}) 50	(t _{h8}) 0				
I ₀₋₁₅ (INSTR)	CP	(t _{s3}) 22	(t _{h3}) 10	(t _{s9}) 50	(t _{h9}) 0				
IEN HIGH	CP	(t _{s4}) 5	-	-	(t _{h10}) 2	Disable			
IEN LOW	CP	-	(t _{s5}) 5	-	(t _{h5}) 1	(t _{s11}) 10	(t _{h11}) 1**	Enable	Immediate first cycle
SRE	CP	-	-	(t _{s12}) 12	(t _{h12}) 0				
Y	CP	-	-	(t _{s13}) 39	(t _{h13}) 0				
Y	DLE	(t _{s6}) 6	(t _{h6}) 5	-	-				
DLE	CP	-	-	(t _{s14}) 43	(t _{h14}) 0				

** Status register and accumulator destination only.

SWITCHING CHARACTERISTICS over **MILITARY** operating range (for APL Products, Group A, Subgroups 9, 10, 11 are tested unless otherwise noted) ($T_A = -55$ to $+125^\circ\text{C}$, $V_{CC} = 4.5$ to 5.5 V, $C_L = 50$ pF).

Am29C116

A. Combinational Delays (nsec)

Input	Outputs		
	Y ₀₋₁₅	T ₁₋₄	CT
l ₀₋₄ (ADDR)	100	103	-
l ₀₋₁₅ (DATA)	100	103	-
l ₀₋₁₅ (INSTR)	100	103	50
DLE	68*†	70	-
T ₁₋₄	-	-	46
CP	76	83	48
Y ₀₋₁₅	70*†	72	-
IEN	-	-	50

Y₀₋₁₅ must be stored in the Data Latch and its source disabled before the delay to Y₀₋₁₅ as an output can be measured.

*Guaranteed indirectly by other tests.

B. Enable/Disable Times (nsec)
(Disable: $C_L = 5$ pF, 0.5-V Change on Outputs)

From Input	To Output	Enable		Disable	
		tpZH	tpZL	tpHZ	tpLZ
OE _Y	Y ₀₋₁₅	25	25	25	25
OET	T ₁₋₄	30	30	30	30

C. Clock and Pulse Requirements (nsec)

Input	Min. LOW Time	Min. HIGH Time
CP	33	50
DLE	-	20
IEN	33	-

D. Setup and Hold Times (nsec)

Input	With Respect to	HIGH-to-LOW Transition		LOW-to-HIGH Transition		Comment			
		Setup	Hold	Setup	Hold				
l ₀₋₄ (RAM ADDR)	CP	(t _{s1}) 24	(t _{h1}) 1	-	-	Single ADDR (Source)			
l ₀₋₄ (RAM ADDR)	CP and IEN both LOW	(t _{s2}) 10	-	-	(t _{h7}) 3	Two ADDR (Destination)			
l ₀₋₁₅ (DATA)	CP	-	-	(t _{s8}) 78	(t _{h8}) 3				
l ₀₋₁₅ (INSTR)	CP	(t _{s3}) 57	(t _{h3}) 17	(t _{s9}) 78	(t _{h9}) 3				
IEN HIGH	CP	(t _{s4}) 10	-	-	(t _{h10}) 2	Disable			
IEN LOW	CP	-	(t _{s5}) 20	-	(t _{h5}) 3	(t _{s11}) 28	(t _{h11}) 3**	Enable	Immediate first cycle
SRE	CP	-	-	(t _{s12}) 19	(t _{h12}) 1				
Y	CP	-	-	(t _{s13}) 53	(t _{h13}) 2				
Y	DLE	(t _{s6}) 11	(t _{h6}) 7	-	-				
DLE	CP	-	-	(t _{s14}) 54	(t _{h14}) 0				

**Status register and accumulator destination only.

† Not included in Group A tests.

SWITCHING CHARACTERISTICS over **MILITARY** operating range (Cont'd.)

Am29C116-1

A. Combinational Delays (nsec)

Input	Outputs		
	Y ₀₋₁₅	T ₁₋₄	CT
I ₀₋₄ (ADDR)	75	75	-
I ₀₋₁₅ (DATA)	75	75	-
I ₀₋₁₅ (INSTR)	75	75	29
DLE	62*†	62	-
T ₁₋₄	-	-	29
CP	67	75	39
Y ₀₋₁₅	60*†	60	-
IEN	-	-	29

Y₀₋₁₅ must be stored in the Data Latch and its source disabled before the delay to Y₀₋₁₅ as an output can be measured.

*Guaranteed indirectly by other tests.

B. Enable/Disable Times (nsec)
(Disable: C_L = 5 pF, 0.5-V Change on Outputs)

From Input	To Output	Enable		Disable	
		tpZH	tpZL	tpHZ	tpLZ
OE _Y	Y ₀₋₁₅	25	25	20	20
OE _T	T ₁₋₄	25	25	16	16

C. Clock and Pulse Requirements (nsec)

Input	Min. LOW Time	Min. HIGH Time
CP	25	15
DLE	-	15
IEN	15	-

D. Setup and Hold Times (nsec)

Input	With Respect to	HIGH-to-LOW Transition		LOW-to-HIGH Transition		Comment
		Setup	Hold	Setup	Hold	
I ₀₋₄ (RAM ADDR)	CP	(t _{s1}) 12	(t _{h1}) 1	-	-	Single ADDR (Source)
I ₀₋₄ (RAM ADDR)	CP and IEN both LOW	(t _{s2}) 7	-	-	(t _{h7}) 0	Two ADDR (Destination)
I ₀₋₁₅ (DATA)	CP	-	-	(t _{s8}) 65	(t _{h8}) 0	
I ₀₋₁₅ (INSTR)	CP	(t _{s3}) 27	(t _{h3}) 12	(t _{s9}) 65	(t _{h9}) 2	
IEN HIGH	CP	(t _{s4}) 5	-	-	(t _{h10}) 2	Disable
IEN LOW	CP	- (t _{s5}) 7	- (t _{h5}) 3	(t _{s11}) 12	- (t _{h11}) 3**	Enable Immediate first cycle
SRE	CP	-	-	(t _{s12}) 12	(t _{h12}) 1	
Y	CP	-	-	(t _{s13}) 53	(t _{h13}) 0	
Y	DLE	(t _{s6}) 7	(t _{h6}) 3	-	-	
DLE	CP	-	-	(t _{s14}) 54	(t _{h14}) 0	

**Status register and accumulator destination only.

† Not included in Group A tests.

SWITCHING CHARACTERISTICS over **MILITARY** operating range (Cont'd.)

Am29C116-2

A. Combinational Delays (nsec)

Input	Outputs		
	Y ₀₋₁₅	T ₁₋₄	CT
I ₀₋₄ (ADDR)	65	65	-
I ₀₋₁₅ (DATA)	65	65	-
I ₀₋₁₅ (INSTR)	65	65	26
DLE	52*†	52	-
T ₁₋₄	-	-	26
CP	57	65	33
Y ₀₋₁₅	52*†	52	-
IEN	-	-	26

Y₀₋₁₅ must be stored in the Data Latch and its source disabled before the delay to Y₀₋₁₅ as an output can be measured.

*Guaranteed indirectly by other tests.

B. Enable/Disable Times (nsec)
(Disable: C_L = 5 pF, 0.5-V Change on Outputs)

From Input	To Output	Enable		Disable	
		tpZH	tpZL	tPHZ	tPLZ
OE _Y	Y ₀₋₁₅	22	22	18	18
OET	T ₁₋₄	22	22	15	15

C. Clock and Pulse Requirements (nsec)

Input	Min. LOW Time	Min. HIGH Time
CP	20	15
DLE	-	15
IEN	15	-

D. Setup and Hold Times (nsec)

Input	With Respect to	HIGH-to-LOW Transition		LOW-to-HIGH Transition		Comment			
		Setup	Hold	Setup	Hold				
I ₀₋₄ (RAM ADDR)	CP	(t _{s1}) 12	(t _{h1}) 1	-	-	Single ADDR (Source)			
I ₀₋₄ (RAM ADDR)	CP and IEN both LOW	(t _{s2}) 7	-	-	(t _{h7}) 0	Two ADDR (Destination)			
I ₀₋₁₅ (DATA)	CP	-	-	(t _{s8}) 56	(t _{h8}) 0				
I ₀₋₁₅ (INSTR)	CP	(t _{s3}) 25	(t _{h3}) 12	(t _{s9}) 56	(t _{h9}) 2				
IEN HIGH	CP	(t _{s4}) 5	-	-	(t _{h10}) 2	Disable			
IEN LOW	CP	-	(t _{s5}) 7	-	(t _{h5}) 3	(t _{s11}) 10	(t _{h11}) 3**	Enable	Immediate first cycle
SRE	CP	-	-	(t _{s12}) 10	(t _{h12}) 1				
Y	CP	-	-	(t _{s13}) 45	(t _{h13}) 0				
Y	DLE	(t _{s6}) 7	(t _{h6}) 3	-	-				
DLE	CP	-	-	(t _{s14}) 46	(t _{h14}) 0				

**Status register and accumulator destination only.

† Not included in Group A tests.

Test Philosophy and Methods

The following points give the general philosophy that we apply to tests that must be properly engineered if they are to be implemented in an automatic environment. The specifics of what philosophies applied to which test are shown in the data sheet.

1. Ensure the part is adequately decoupled at the test head. Large changes in V_{CC} current as the device switches may cause erroneous function failures due to V_{CC} changes.
2. Do not leave inputs floating during any tests, as they may start to oscillate at high frequency.
3. Do not attempt to perform threshold tests at high speed. Following an output transition, ground current may change by as much as 400 mA in 5-8 ns. Inductance in the ground cable may allow the ground pin at the device to rise by hundreds of millivolts momentarily. Current level may vary from product to product.
4. Use extreme care in defining input levels for AC tests. Many inputs may be changed at once, so there will be significant noise at the device pins that may not actually reach V_{IL} or V_{IH} until the noise has settled. AMD recommends using $V_{IL} \leq 0$ V and $V_{IH} \geq 3.0$ V for AC tests.
5. To simplify failure analysis, programs should be designed to perform DC, Function, and AC tests as three distinct groups of tests.
6. Capacitive Loading for AC Testing

Automatic testers and their associated hardware have stray capacitance that varies from one type of tester to another but is generally around 50 pF. This makes it impossible to make direct measurements of parameters that call for a smaller capacitive load than the associated stray capacitance. Typical examples of this are the so-called "float delays," which measure the propagation delays into the high-impedance state and are usually specified at a load capacitance of 5.0 pF. In these cases, the test is performed at the higher load capacitance (typically 50 pF), and engineering correlations based on data taken with a bench set up are used to predict the result at the lower capacitance.

Similarly, a product may be specified at more than one capacitive load. Since the typical automatic tester is not capable of switching loads in mid-test, it is impossible to make measurements at both capacitances even though they may both be greater than the stray capacitance. In these cases, a measurement is made at one of the two capacitances. The result at the other capacitance is predicted from engineering correlations based on data taken with a bench setup and the knowledge that certain DC measurements (I_{OH} , I_{OL} for example) have already been taken and are within specification. In some cases, special DC tests are performed in order to facilitate this correlation.

7. Threshold Testing

The noise associated with automatic testing (due to the long inductive cables), and the high gain of the tested device when in the vicinity of the actual device threshold, frequently give rise to oscillations when testing high-speed circuits. These oscillations are not indicative of a reject device, but instead, of an overtaxed test system. To minimize this problem, thresholds are tested at least once for each input pin. Thereafter, "hard" high and low levels are used for other tests. Generally this means that function and AC testing are performed at "hard" input levels rather than at V_{IL} Max. and V_{IH} Min.

8. AC Testing

Occasionally parameters are specified that cannot be measured directly on automatic testers because of tester limitations. Data input hold times often fall into this category. In these cases, the parameter in question is guaranteed by correlating these tests with other AC tests that have been performed. These correlations are arrived at by the cognizant engineer using data from precise bench measurements in conjunction with the knowledge that certain DC parameters have already been measured and are within spec.

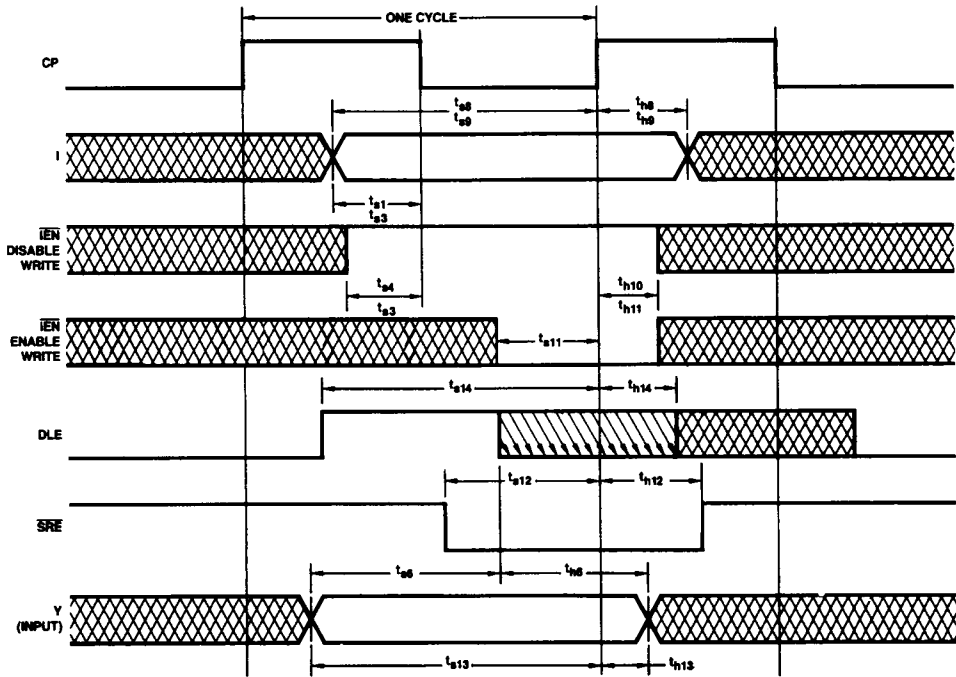
In some cases, certain AC tests are redundant since they can be shown to be predicted by other tests that have already been performed. In these cases, the redundant tests are not performed.

SWITCHING WAVEFORMS

KEY TO SWITCHING WAVEFORMS

WAVEFORM	INPUTS	OUTPUTS
	MUST BE STEADY	WILL BE STEADY
	MAY CHANGE FROM H TO L	WILL BE CHANGING FROM H TO L
	MAY CHANGE FROM L TO H	WILL BE CHANGING FROM L TO H
	DON'T CARE, ANY CHANGE PERMITTED	CHANGING, STATE UNKNOWN
	DOES NOT APPLY	CENTER LINE IS HIGH IMPEDANCE "OFF" STATE

KS000010

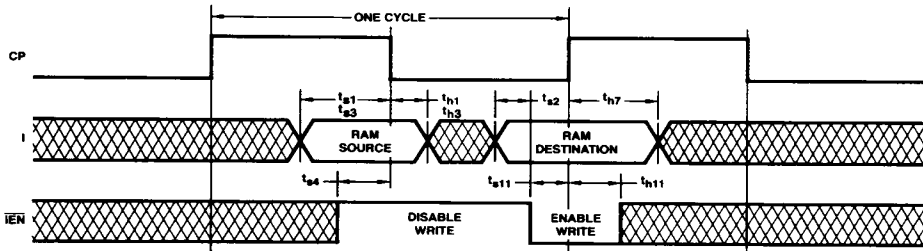


WF002563

Single-Address Access Timing

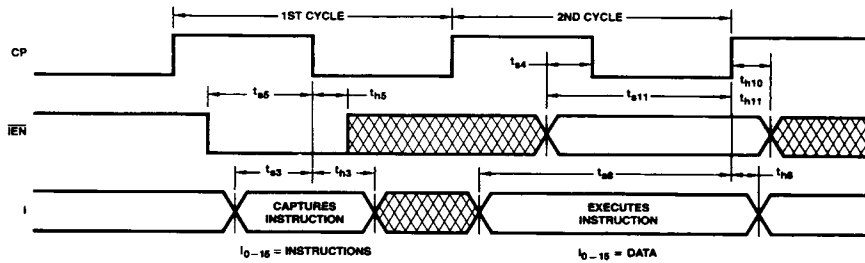
If t_{h6} is satisfied, t_{h13} need not be satisfied.

SWITCHING WAVEFORMS (Cont'd.)



WF002545

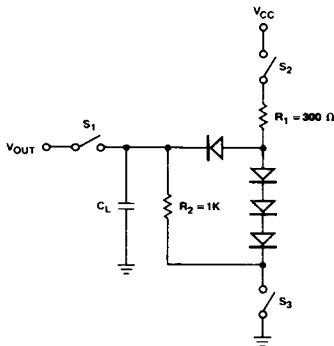
Double Address Access Timing



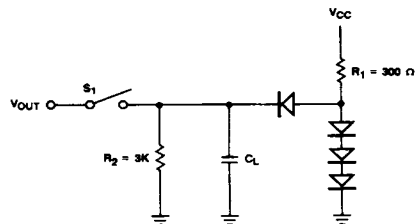
WF002550

Immediate Instruction Cycle Timing

SWITCHING TEST CIRCUITS



TCR01331



TC000421

A. Three-State Outputs

Notes: 1. $C_L = 50$ pF includes scope probe, wiring and stray capacitances without device in test fixture.

2. S_1, S_2, S_3 are closed during function tests and all AC tests except output enable tests.

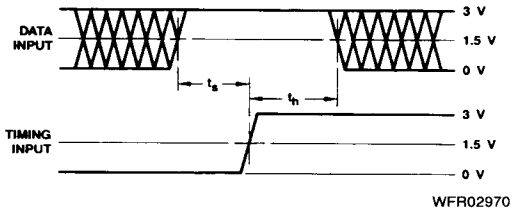
3. S_1 and S_3 are closed while S_2 is open for t_{pZH} test.

S_1 and S_2 are closed while S_3 is open for t_{pZL} test.

4. $C_L = 5.0$ pF for output disable tests.

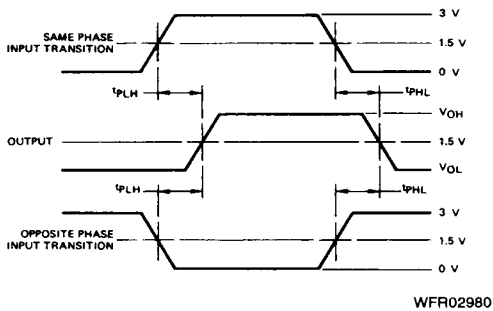
B. Normal Outputs

SWITCHING TEST WAVEFORMS

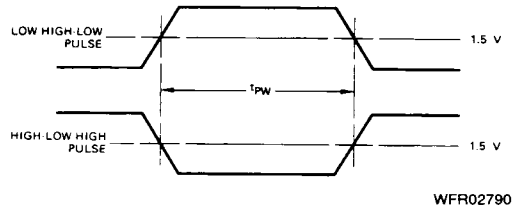


- Notes: 1. Diagram shown for HIGH data only.
Output transition may be opposite sense.
2. Cross hatched area is don't care condition.

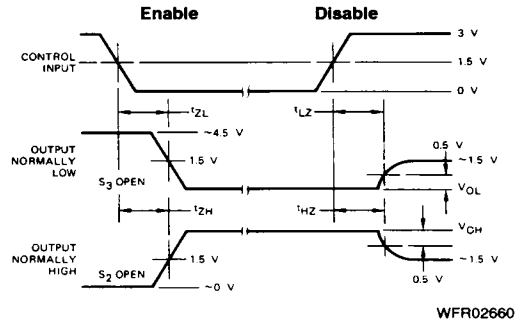
Setup, Hold, and Release Times



Propagation Delay



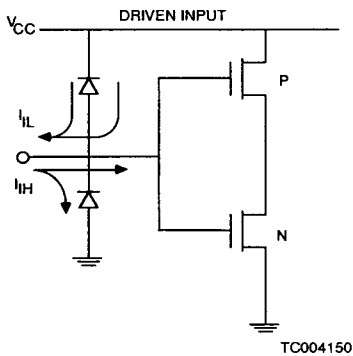
Pulse Width



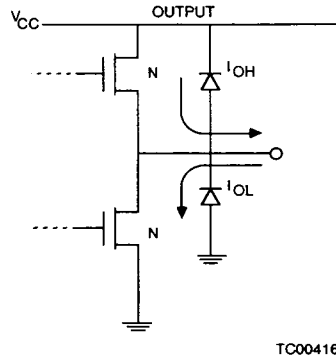
- Notes: 1. Diagram shown for Input Control Enable-LOW and Input Control Disable-HIGH.
2. S₁, S₂ and S₃ of Load Circuit are closed except where shown.

Enable and Disable Times

INPUT/OUTPUT CIRCUIT DIAGRAMS



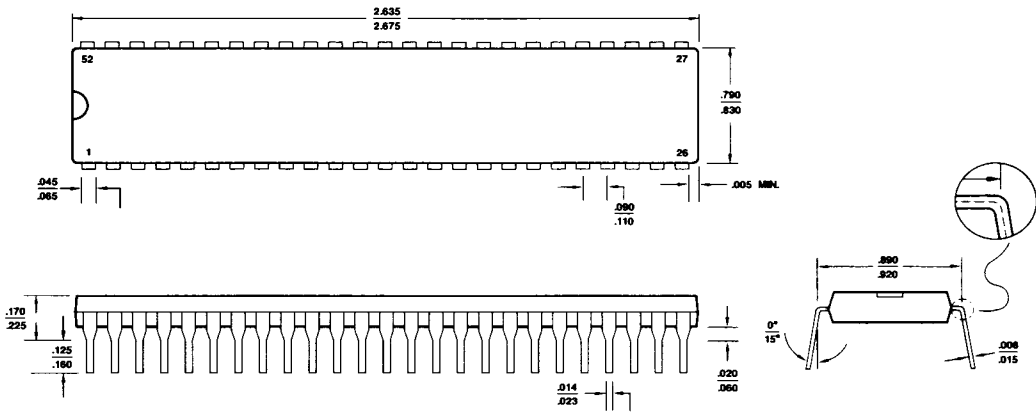
$C_i \approx 5.0$ pF, all inputs



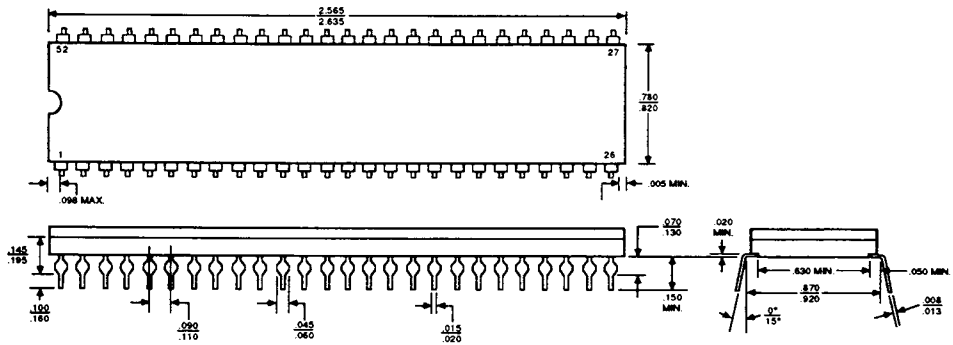
$C_o \approx 5.0$ pF, all outputs

PHYSICAL DIMENSIONS*

PD 052



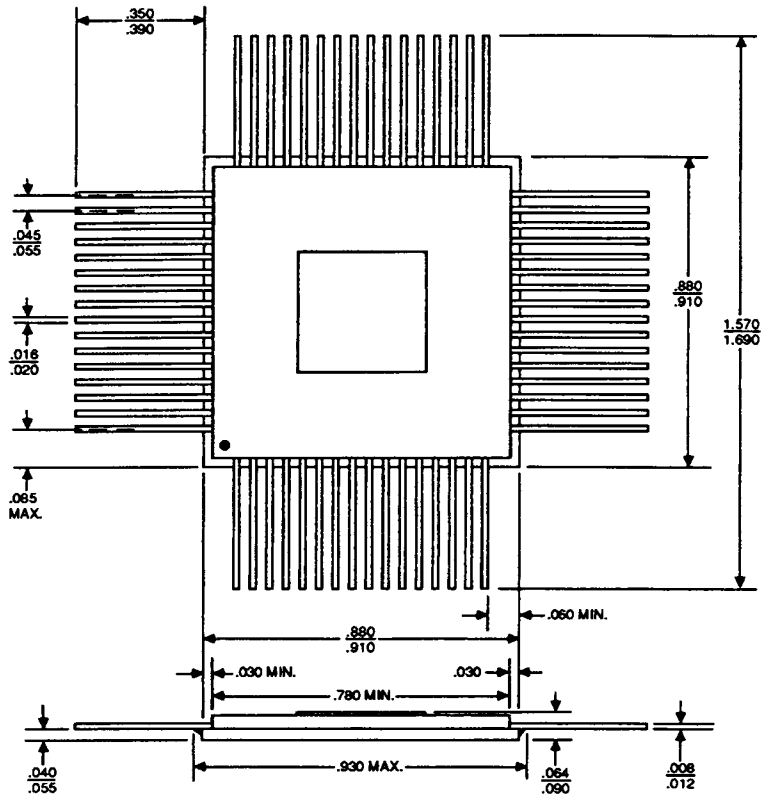
TDX052



*For reference only.

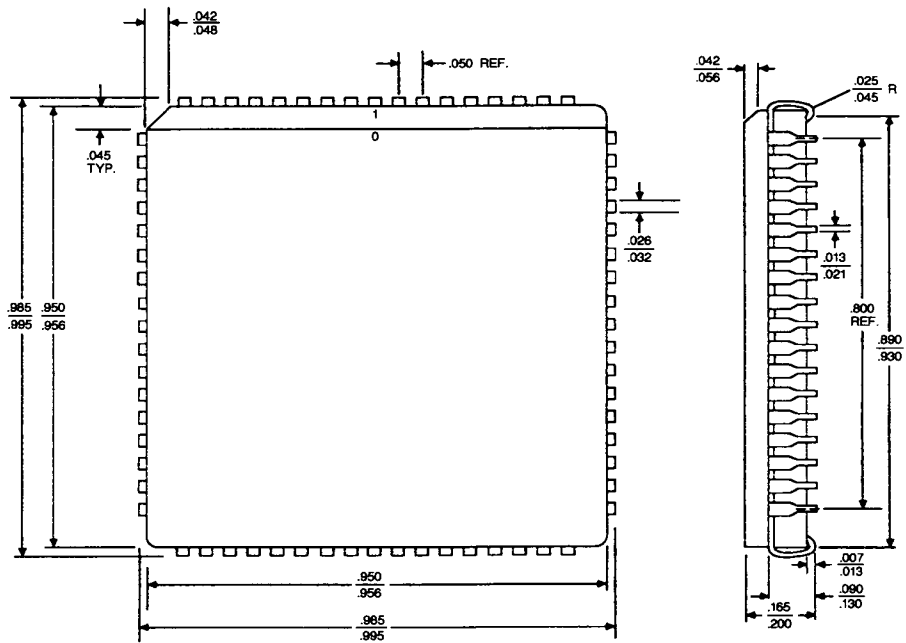
PHYSICAL DIMENSIONS (Cont'd.)

CFT064



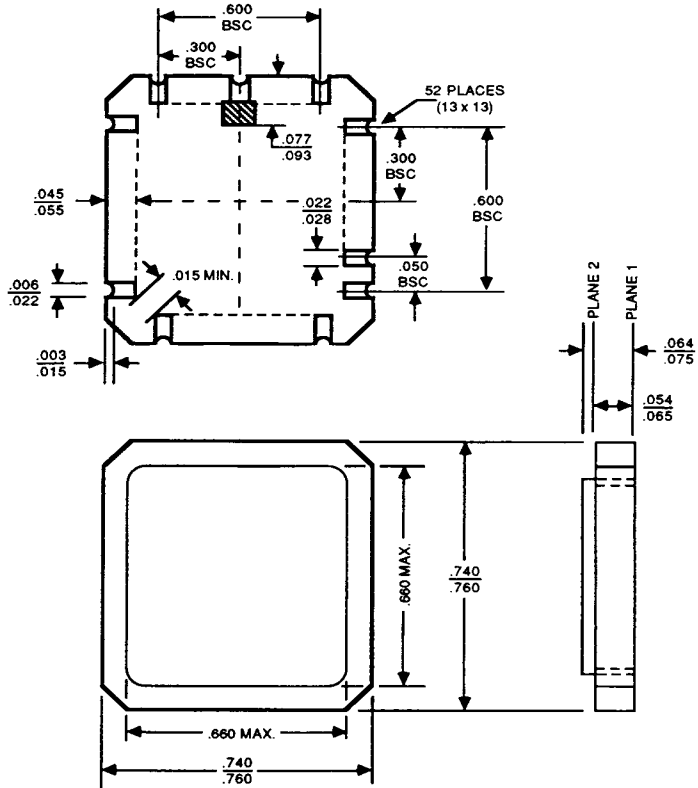
PHYSICAL DIMENSIONS (Cont'd.)

PL 068



PHYSICAL DIMENSIONS (Cont'd.)

CLT052



ADVANCED MICRO DEVICES' NORTH AMERICAN SALES OFFICES

ALABAMA	(205) 882-9122	KANSAS	(913) 451-3115
ARIZONA	(602) 242-4400	MARYLAND	(301) 796-9310
CALIFORNIA,		MASSACHUSETTS	(617) 273-3970
Culver City	(213) 645-1524	MINNESOTA	(612) 938-0011
Newport Beach	(714) 752-6262	MISSOURI	(913) 451-3115
San Diego	(619) 560-7030	NEW JERSEY	(201) 299-0002
San Jose	(408) 249-7766	NEW YORK	
Santa Clara	(408) 727-3270	Liverpool	(315) 457-5400
Woodland Hills	(818) 992-4155	Poughkeepsie	(914) 471-8180
CANADA, Ontario,		Woodbury	(516) 364-8020
Kanata	(613) 592-0060	NORTH CAROLINA	(919) 878-8111
Willowdale	(416) 224-5193	OHIO	(614) 891-6455
COLORADO	(303) 741-2900	Columbus	(614) 891-6455
CONNECTICUT	(203) 264-7800	Dayton	(513) 439-0470
FLORIDA,		OREGON	(503) 245-0080
Clearwater	(813) 530-9971	PENNSYLVANIA,	
Ft Lauderdale	(305) 776-2001	Allentown	(215) 398-8006
Melbourne	(305) 729-0496	Willow Grove	(215) 657-3101
Orlando	(305) 859-0831	TEXAS,	
GEORGIA	(404) 449-7920	Austin	(512) 346-7830
ILLINOIS,		Dallas	(214) 934-9099
Chicago	(312) 773-4422	Houston	(713) 785-9001
Naperville	(312) 505-9517	WASHINGTON	(206) 455-3600
INDIANA	(317) 244-7207	WISCONSIN	(414) 792-0590

ADVANCED MICRO DEVICES' INTERNATIONAL SALES OFFICES

BELGIUM,		KOREA, Seoul	TEL	82-2-784-7598
Bruxelles	TEL		FAX	82-2-784-8014
	FAX			
	TLX			
FRANCE,		LATIN AMERICA,		
Paris	TEL	Ft. Lauderdale	TEL	(305) 484-8600
	FAX		FAX	(305) 485-9736
	TLX		TLX	5109554261 AMDFTL
WEST GERMANY,		NORWAY,		
Hannover area	TEL	Hovik	TEL	(02) 537810
	FAX		FAX	(02) 591959
	TLX		TLX	79079
München	TEL	SINGAPORE	TEL	65-2257544
	FAX		FAX	2246113
	TLX		TLX	RS55650 MMI RS
Stuttgart	TEL	SWEDEN, Stockholm	TEL	(08) 733 03 50
	FAX		FAX	(08) 733 22 85
	TLX		TLX	11602
HONG KONG,		TAIWAN	TLX	886-2-7122066
Kowloon	TEL		FAX	886-2-7122017
	FAX	UNITED KINGDOM,		
	TLX	Manchester area	TEL	(0925) 828008
ITALY, Milano	TEL		FAX	(0925) 827693
	FAX		TLX	628524
	TLX	London area	TEL	(04862) 22121
JAPAN,			FAX	(0483) 756196
Kanagawa	TEL		TLX	859103
	FAX			
Tokyo	TEL			
	FAX			
	TLX			
Osaka	TEL			
	FAX			

NORTH AMERICAN REPRESENTATIVES

CALIFORNIA		KENTUCKY	
I ² INC	OEM (408) 988-3400	ELECTRONIC MARKETING	
	DISTI (408) 498-6868	CONSULTANTS, INC.	(317) 253-1668
CANADA		MICHIGAN	
Burnaby, B.C.		SAI MARKETING CORP	(313) 750-1922
DAY/TEK MARKETING	(604) 430-3680	MISSOURI	
Calgary, Alberta		LORENZ SALES	(314) 997-4558
VITEL ELECTRONICS	(403) 278-5833	NEBRASKA	
Kanata, Ontario		LORENZ SALES	(402) 475-4660
VITEL ELECTRONICS	(613) 592-0090	NEW MEXICO	
Mississauga, Ontario		THORSON DESERT STATES	(505) 293-8555
VITAL ELECTRONICS	(416) 676-9720	NEW YORK	
Quebec		NYCOM, INC	(315) 437-8343
VITEL ELECTRONICS	(514) 636-5951	OHIO	
IDAHO		Centerville	
INTERMOUNTAIN TECH MKGT	(208) 888-6071	DOLFUSS ROOT & CO	(513) 433-6776
INDIANA		Columbus	
ELECTRONIC MARKETING		DOLFUSS ROOT & CO	(614) 885-4844
CONSULTANTS, INC.	(317) 253-1668	Strongsville	
IOWA		DOLFUSS ROOT & CO	(216) 238-0300
LORENZ SALES	(319) 377-4666	PENNSYLVANIA	
KANSAS		DOLFUSS ROOT & CO	(412) 221-4420
LORENZ SALES	(913) 384-6556	UTAH	
		R ² MARKETING	(801) 595-0631

Advanced Micro Devices reserves the right to make changes in its product without notice in order to improve design or performance characteristics. The performance characteristics listed in this document are guaranteed by specific tests, guard banding, design and other practices common to the industry. For specific testing details, contact your local AMD sales representative. The company assumes no responsibility for the use of any circuits described herein.



ADVANCED MICRO DEVICES 901 Thompson Pl., P.O. Box 3453, Sunnyvale, CA 94088, USA
 TEL: (408) 732-2400 • TWX: 910-339-9280 • TELEX: 34-6306 • TOLL FREE: (800) 538-8450
 APPLICATIONS HOTLINE TOLL FREE: (800) 222-9323

© 1988 Advanced Micro Devices, Inc.

AIS-WCP-12M-03/88-0