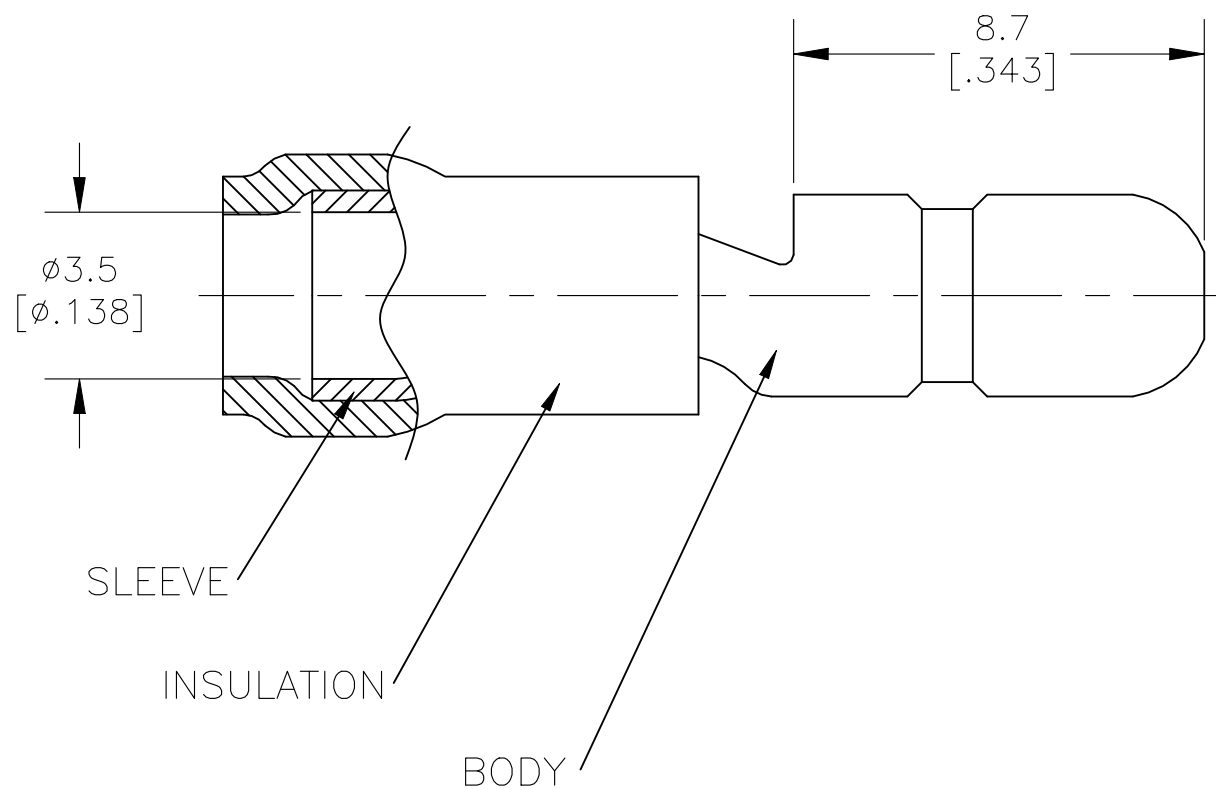
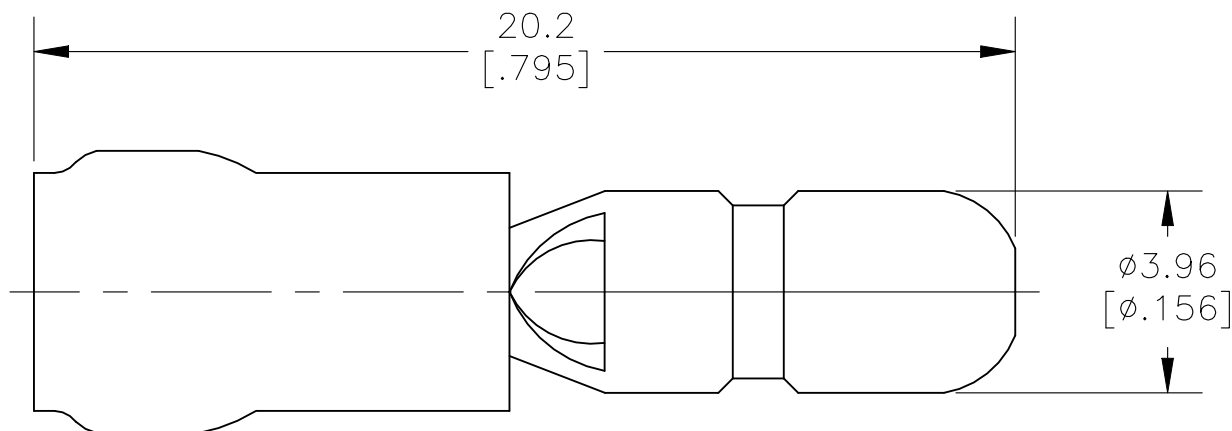

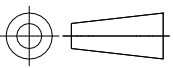




REVISIONS				
P	LTR	DESCRIPTION	DATE	APVD
	A1	ECR-22-135696	12APR2022	LP CS



- 1 BODY MATERIAL THK: 0.4[.016]
- 2 MATERIAL:
BODY - BRASS
SLEEVE - COPPER
INSULATION - PVC
- 3 FINISH:
TIN PLATE
INSULATION COLOR - RED
- 4 TO BE CRIMPED WITH A SUPERCHAMP
HAND TOOL ONLY

1000	LOOSE PIECE	165590-1
QTY	PACKAGE TYPE	PART NUMBER

MAX RECOMMENDED OPERATING TEMPERATURE: 75°C [167°F]	THIS DRAWING IS A CONTROLLED DOCUMENT.		DWN RVH 18NOV1980	 TE Connectivity
	DIMENSIONS: INCHES	TOLERANCES UNLESS OTHERWISE SPECIFIED: 0 PLC ± - 1 PLC ± - 2 PLC ± - 3 PLC ± - 4 PLC ± - ANGLES ± -	CHK CLB 19NOV1980	
			APVD D SAINTZ 20NOV1980	
VOLTAGE RATING: 300V MAX		MATERIAL 	PRODUCT SPEC -	NAME TERMINAL, SHUR PLUG, 4MM PIN, WIRE SIZE: 22-16 AWG
CIRCULAR MIL AREA: 0.25-1.65mm² [493-3256] STRANDED			FINISH 	
			WEIGHT -	SIZE A3
			CUSTOMER DRAWING	
			SCALE NTS	SHEET 1 OF 1
			DRAWING NO C-165590	REV A1