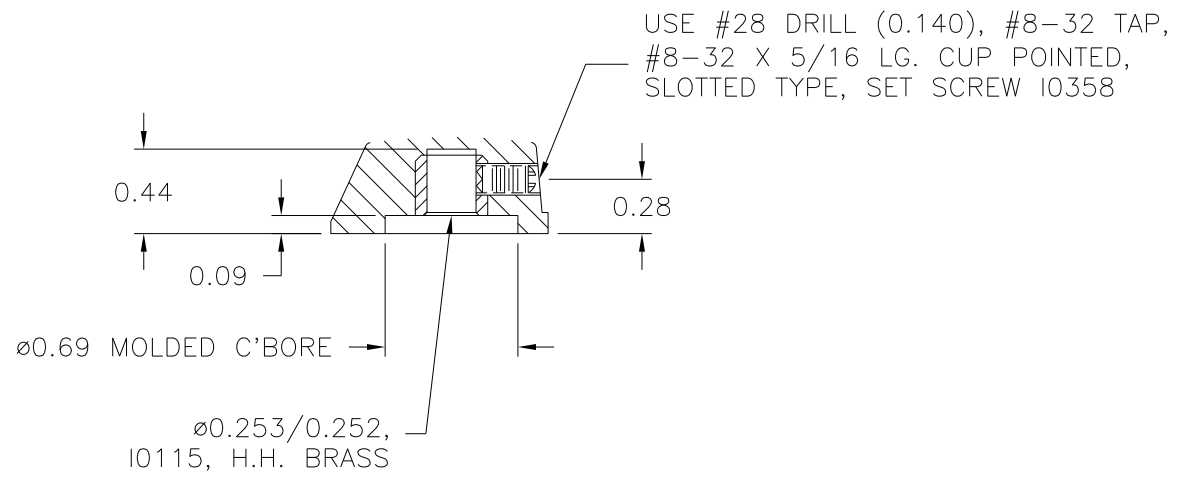


SECTION A-A



MATERIAL: G.P. PHENOLIC (B11)  
COLOR: BLACK

|   |                                  |         |                     |             |
|---|----------------------------------|---------|---------------------|-------------|
| TOLERANCES:<br>UNLESS OTHERWISE SPECIFIED | DO NOT SCALE<br>DRAWING          |         |                     |             |
| DECIMALS: X.XXX ± .005<br>X.XX ± .015     | MM: X.XX ± 0.15MM<br>X.X ± 0.4MM | -       | UPDATED/HAD TOOLBOX | ST 9/1/2000 |
| FRACTIONS ± 1/64                          | ANG. ± 1°                        | CHANGES |                     |             |