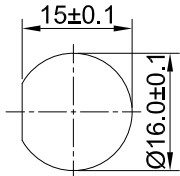
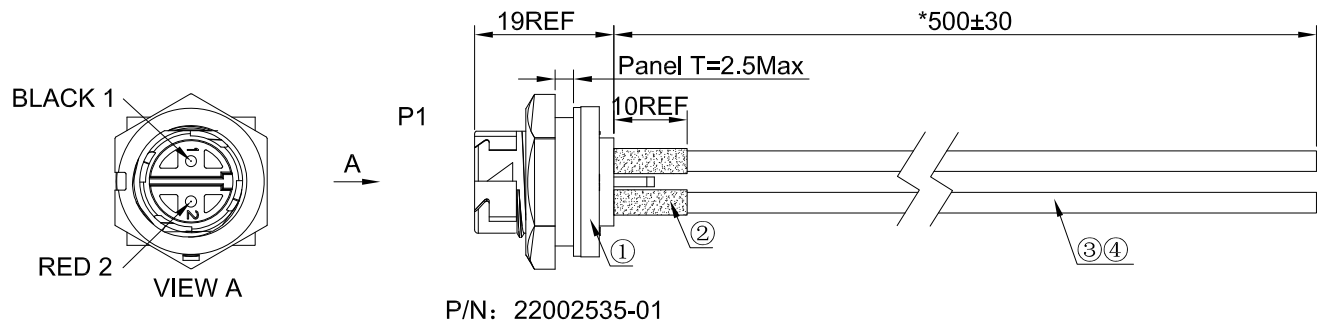


THIS INFORMATION IS CONFIDENTIAL AND IS DISCLOSED TO YOU ON CONDITION THAT NO FURTHER DISCLOSURE IS MADE BY YOU TO OTHER THAN CHOGORI PERSONNEL WITHOUT AUTHORIZATION FROM CHOGORI CORP.

CUSTOMER No. :		REV. :	CATEGORY	IN LINE WITH THE TYPE		PAGE	REV. :	ECN&ECR No.	DESCRIPTION	DSN	DATE
				YES	NO		C1	NA	Initial Drawing	XU	2022.05.25
			NEW ENERGY VEHICLE PRODUCTS		√						
			INDUSTRIAL PRODUCTS	√							
			RoHS	√							
			REACH		√						
			Halogen-Free		√						
			CALIFORNIA 65		√						



Panel Cut-Out



- SPECIFICATIONS:**
- INSULATION RESISTANCE: 10MΩ@500VDC/0.01S.
 - VOLTAGE RATING: 600V.
 - CURRENT RATING: 10A.
 - OPERATION TEMPERATURE: -10°C~+105°C.
 - WATERPROOF IPX7(MATED).
 - RoHS COMPLIANT.

4	900-00101-00087	A/C	M	UL1015 18AWG PVC 105°C 600V RED OD2.8
3	900-00101-00032	A/C	M	UL1015 18AWG PVC 105°C 600V BLACK OD2.8
2	504-00049-00	A/C	M	ADHESIVE HEAT SHRINK TUBE OD3.2
1	22002535-01	1	PC	STANDARD SERIES 2PIN PANEL MOUNT WITH MALE PIN(4 LOCKS -501)
ITEM	PART NO	QTY	UNIT	DESCRIPTION

MATERIAL OF BILL

PART No.:	11C03622051304	DRAWN BY:	XU	TECHNICS:	
MATERIAL:		PROOFREADED BY:		QUALITY:	
MOLD No.:		CHECKED BY:		APPROVED BY:	Kevin
		STANDARDISATION:			

UNIT: mm	DESCRIPTION: STANDARD SERIES 2PIN PANEL MOUNT WITH MALE PIN(4 LOCKS -501) L=500MM	
未注线性和角度尺寸公差 UNSPECIFIED TOLERANCE	SCALE: 1:1	SHEET: 1 OF 1
GB/T 1804-M	REV.: C1	SIZE: A4 ASME Y14.5-2009

CHOGORI[®]
深圳乔合里科技股份有限公司

2022.05.30
10:57:23
108007