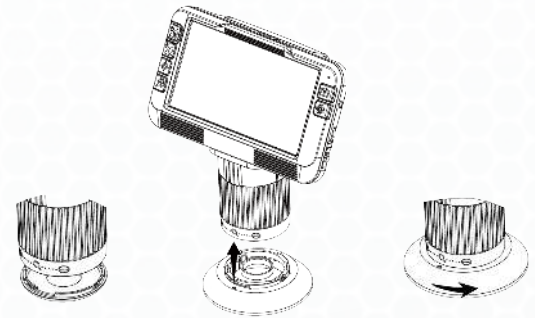




All-in-One System Built-in 5" high resolution LED screen	Rechargeable Battery Allows for portable use in remote locations	Diffuser Attachment Reduces glare & provides even illumination	ezImageX3 Software Measure, share, annotate and more
--	--	--	--



Mighty Scope ClearVue

Digital Microscope with Post Stand & Diffuser

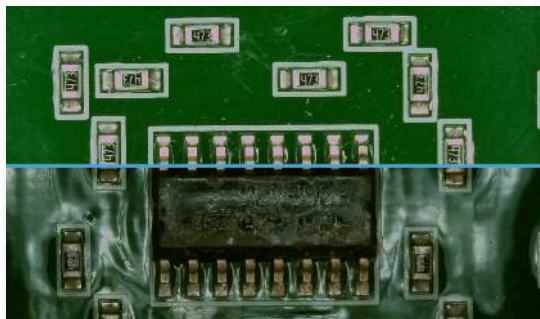
The Mighty Scope ClearVue with Post Stand and Diffuser has a built in 5" high resolution LED screen and offers a magnification range of 8x - 25x. The diffuser attachment reduces glare while providing even illumination on shiny and reflective parts. The included rechargeable battery allows users to operate the microscope without a power supply for hours thus making it suitable for field projects. You can also connect this microscope to an external monitor via an HDMI output for viewing images on a larger screen. The images can be saved on the included Micro SD card.

Key Features

- Compact all-in-one system
- The diffuser provides soft & even illumination for shiny and reflective parts
- 1080p Full HD Imaging at 60 FPS
- HDMI Output for additional monitor viewing
- ezImageX3 software included
- Enhances productivity - eliminates eye strain and body fatigue
- 5" built-in HD screen
- Save high resolution image/video files directly to microSD card

With
Diffuser

Without
Diffuser



Mighty Scope ClearVue <i>Digital Microscope [8x-25x] w/ Post Stand & Diffuser</i>	
Item #	26700-220-MNTD
Magnification	8x-25x 40x-120x (on 24" Monitor)
Working Distance	45mm - 95mm
Resolution	1920(H) x 1080(V)
Image Sensor	2M CMOS Sensor
Illumination	Integrated Ring Light
Interface	<ul style="list-style-type: none"> • Mini USB • HDMI (Type A)
PC Software	ezImage X3
Package Contents	<ul style="list-style-type: none"> • Mighty Scope ClearVue digital microscope • Diffuser attachment • USB cable • Power supply • Snap shot remote control • 16gb MicroSD Card • 2600mAh 18650 Li-ion battery • User guide • ClearVue Post Stand • Free ezImageX3 software download