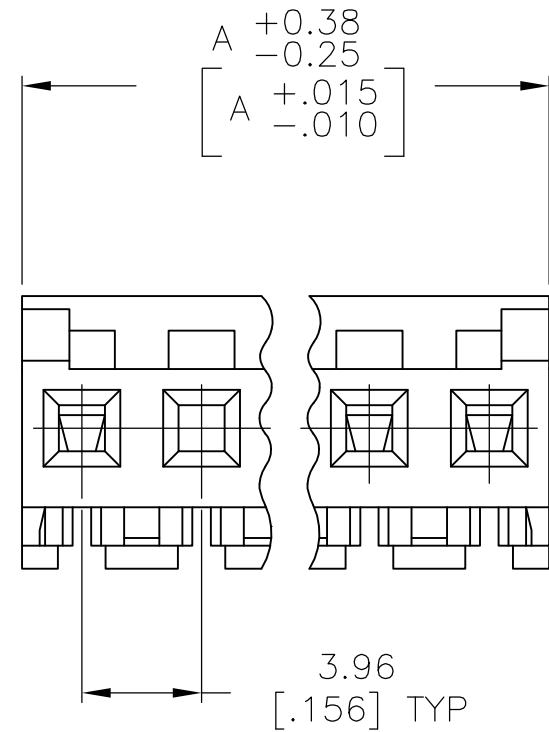
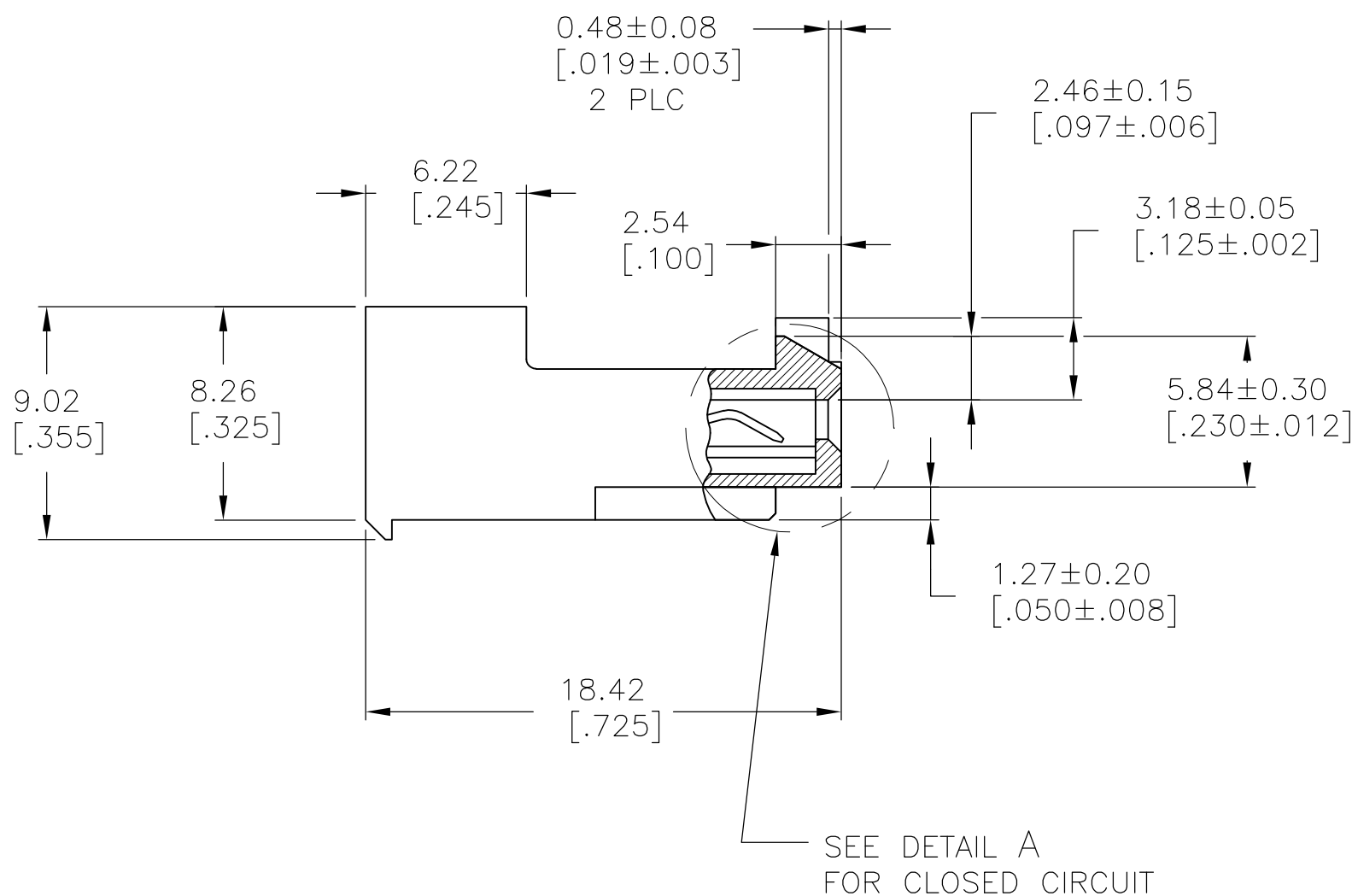
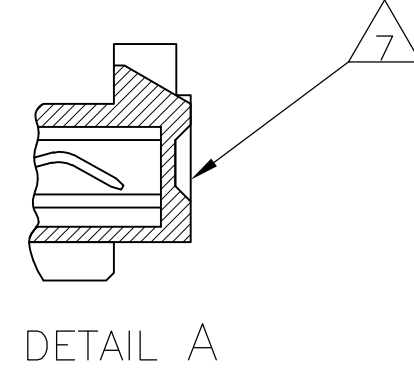
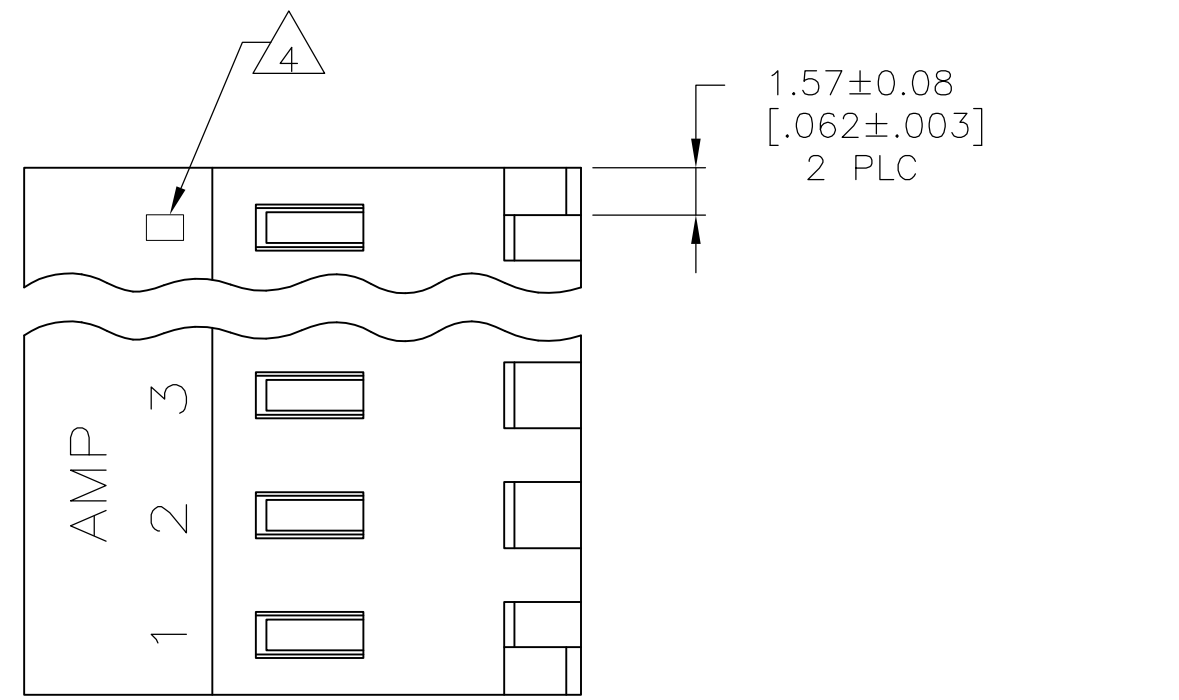


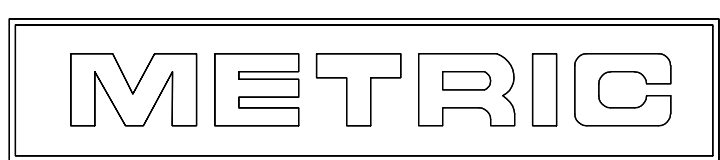
THIS DRAWING IS UNPUBLISHED. RELEASED FOR PUBLICATION
 © COPYRIGHT BY TYCO ELECTRONICS CORPORATION. ALL RIGHTS RESERVED.

LOC	DIST	REVISIONS					
CM	00	P	LTR	DESCRIPTION	DATE	DWN	APVD
		R		ECO-07-012896	25JUN07	KW	DB
		R1		REVISED PER ECO-09-021510	12SEP09	KK	AEG



FINISH	DIM A	NO. OF CIRCUITS	PART NO.	
TIN	31.70 [1.248]	8	3-643274-8	
TIN	23.77 [.936]	6	3-643274-6	
TIN	15.85 [.624]	4	3-643274-4	
8 SUPERSEDED	TIN-LEAD	31.70 [1.248]	8	3-643274-8
8 SUPERSEDED	TIN-LEAD	23.77 [.936]	6	3-643274-6
8 SUPERSEDED	TIN-LEAD	15.85 [.624]	4	3-643274-4

- 1 MATERIAL: CONNECTOR - NYLON UL94V-2 (RED).
CONTACTS - 0.30[.012] THICK COPPER ALLOY BRIGHT TIN-LEAD 0.00203[.000080] MIN THICK FOR -2 THRU -28 - 0.30[.012] THICK COPPER ALLOY MATTE WHISKER MITIGATED TIN 0.00203[.000080] MIN THICKNESS OVER NICKEL UNDERPLATE FOR -32 THRU -58.
- 2. CONTACTS ACCEPT 22 AWG WIRE WITH 2.41[.095] MAX INSULATION DIAMETER.
- 3. CONTACTS MUST ACCEPT 1.14±0.03[.045±.001] POST AND REMAIN LOCKED IN POSITION.
- 4 IDENTIFICATION NUMBER FOR LAST CIRCUIT MAY NOT APPEAR ON ALL ASSEMBLIES.
- 5. DIMENSIONS IN BRACKETS ARE IN INCHES.
- 6. HOUSING FEATURES ARE: CLOSED END WITH LOCKING RAMP AND POLARIZING TAB.
- 7 DETAIL "A" SHOWS A CIRCUIT MOLDED CLOSED.
- 8 OBSOLETE PARTS: OBSOLETE CIS STREAMLINING PER D.RENAUD/D.SINISI



THIS DRAWING IS A CONTROLLED DOCUMENT.

DWN B. LEWIS 12FEB91	Tyco Electronics Corporation Harrisburg, PA 17105-3608
CHK R. SWING 12FEB91	
APVD D. CLARK 20FEB91	
PRODUCT SPEC 108-1051	
MATERIAL 1	APPLICATION SPEC 114-1020 WEIGHT - CUSTOMER DRAWING
TOLERANCES UNLESS OTHERWISE SPECIFIED: 0 PLC ± - 1 PLC ± - 2 PLC ± - 3 PLC ± 0.13[.005] 4 PLC ± - ANGLES ± -	
NAME MTA-156 CONNECTOR ASSEMBLY, 22 AWG, NO.2 CIRCUIT CLOSED.	
SIZE A2 CAGE CODE 00779 DRAWING NO. C-643274 RESTRICTED TO -	
SCALE 4:1 SHEET 1 OF 1 REV R1	