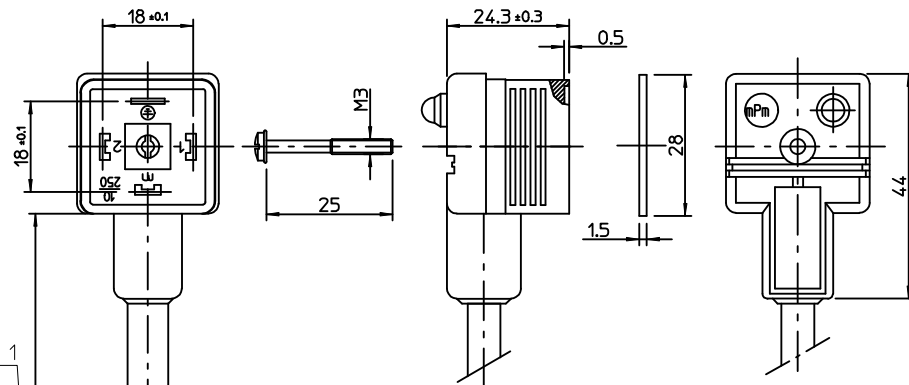
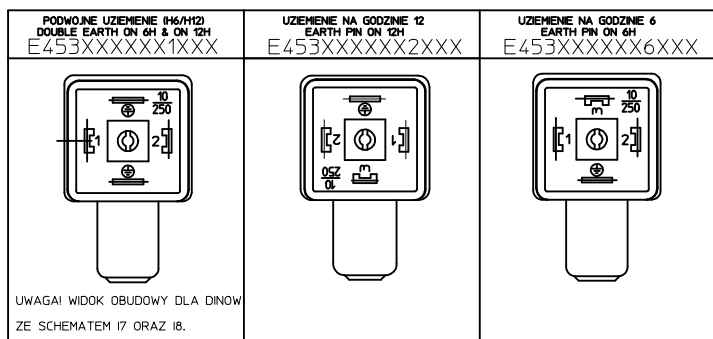


SCHMATY POLACZEN/WIRING CONFIGURATION

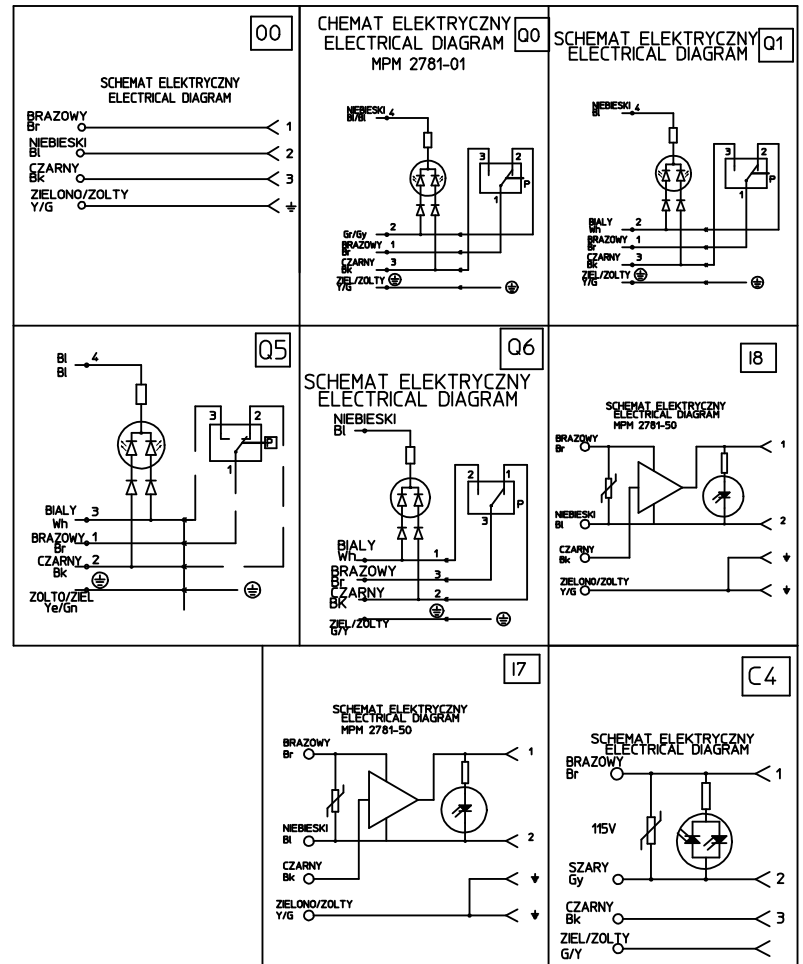


PATRZ UWAGA 1  
SEE NOTE 1



CYNOWAC  
TINNED

Table of length tolerances/ Tablica tolerancji dlugosci mm		
Over/Od	Up to and including/ Do-wlacznie	Tolerance/Tolerancja
100	1000	±20
1000	3000	±30
3000	5000	±40
5000	10000	±50
10000	15000	±100
15000	20000	±150
20000		±L/100



UWAGI:  
1. DLUGOSC PATRZ ARKUSZ 2.

NOTES:  
1. LENGTH SEE SHEET 2.

<p>ORIGINAL RELEASE EC NO: WEU2009-0466 DRWIN: MWOLSZCZAK 2009/06/25 CHYKD: MDABROWSKA 2009/06/25 APPR: GOGRODNIK 2009/08/04</p>	QUALITY SYMBOLS	GENERAL TOLERANCES (UNLESS SPECIFIED)	DIMENSION STYLE	SCALE	DESIGN UNITS	FIRST ANGLE PROJECTION															
	<p>▽=0 ◻=0</p>	<table border="1"> <tr> <th></th> <th>mm</th> <th>INCH</th> </tr> <tr> <td>4 PLACES</td> <td>± ---</td> <td>± ---</td> </tr> <tr> <td>3 PLACES</td> <td>± ---</td> <td>± ---</td> </tr> <tr> <td>2 PLACES</td> <td>± ---</td> <td>± ---</td> </tr> <tr> <td>1 PLACE</td> <td>± ---</td> <td>± ---</td> </tr> </table>		mm	INCH	4 PLACES	± ---	± ---	3 PLACES	± ---	± ---	2 PLACES	± ---	± ---	1 PLACE	± ---	± ---	MM ONLY	---	METRIC	
		mm	INCH																		
	4 PLACES	± ---	± ---																		
3 PLACES	± ---	± ---																			
2 PLACES	± ---	± ---																			
1 PLACE	± ---	± ---																			
DESCRIPTION	ANGULAR ± ---°	DRAWN BY DATE	TITLE	MPM E453XXXXXXXXXXXX																	
REV		GOGRODNIK 2009/01/20	MOLEX INCORPORATED	DOCUMENT NO. E453XXXXXXXXXXXX																	
			SEE DRAWING	SHEET NO. 1 OF 4																	
			THIS DRAWING CONTAINS INFORMATION THAT IS PROPRIETARY TO MOLEX INCORPORATED AND SHOULD NOT BE USED WITHOUT WRITTEN PERMISSION																		

10 9 8 7 6 5 4 3 2 1



E - Pakowanie bez workow  
 W - Pakowanie pojedynczo  
 Q - Szybkie pakowanie

**ILOSC PRZEWODOW/NUMBER OF WIRES:**

1=2 PRZEWODY,  
 2=2 PRZEWODY+UZIEMIENIE,  
 3=3 PRZEWODY+UZIEMIENIE.

**TYP KABLA/CABLE TYPE**

PATRZ TABELA 1/SEE TABLE 1

**RODZAJ KABLA/CABLE CROSS SECTION AREA**

PATRZ TABELA 2/SEE TABLE 2

**KOLOR MOULDINGU/HEAD COLOUR:**

G=SZARY/GREY;  
 N=CZARNY/BLACK;  
 T=PRZEZROCZYSTY/TRANSPARENT;  
 A=CZARNY/BLACK;  
 B=SZARY/GREY.

**DLUGOSC KABLA W CM/CABLE LENGHT IN CM**

NP:050=50 CM, 300=300 CM.

**POLOZENIE PINU Z UZIEMIENIEM/EARTH PIN LOCATION:**

1=PODWOJNE UZIEMIENIE NA GODZINIE 6 ORAZ 12/DOUBLE EARTH ON 6H AND 12H,  
 2=UZIEMIENIE NA GODZINIE 12/EARTH ON 12H,  
 6=UZIEMIENIE NA GODZINIE 6/EARTH ON 6H.

**GASKET ORAZ SRUBY/GASKET SCREWS:**

1=GASKET PROFILOWANY+SRUBA/NBR PROFILE GASKET+FIXING SCREWS,  
 2=NBR PLASKI GASKET+SRUBA/NBR FLAT GASKET+SCREW,  
 3=SILIKONOWY PROFILOWANY GASKET+SRUBA/SILICONE PROFILE GASKET+SCREW,  
 4=SILIKOWANY PLASKI GASKET+SRUBA/SILICON FLAT GASKET+SCREW,  
 P=ZINTEGROWANY GASKET+SRUBA/INTEGRATED GASKET+FIXING SCREW,  
 R=ZINTEGROWANY GASKET+SRUBA/INTAGRATED GASKET+SCREW,  
 T=PROFILOWANY GASKET+SRUBA, PROFILE GASKET+SCREW.

**RODZAJ POLACZENIA/INTERNAL CIRCUIT**

PATRZ SCHEMATY POLACZEN/WIREING CONFIGURATION

**NAPIECIE ORAZ KOLOR DIODY/VOLTAGE AND LED COLOUR:**

1= 12V	A= 12V	G= 12V
2= 24V	B= 24V	H= 24V
3= 48V	C= 48V	K= 48V
4= 115V	D= 115V	L= 115V
5= 230V	E= 230V	M= 230V

CZERWONA DIODA    ZIELONA DIODA    ZOLTA DIODA  
 RED LED            GREEN LED            YELLOW LED

<b>ORIGINAL RELEASE</b> EC NO: WEU2009-0466 DRWIN: MWOLSZCZAK 2009/06/25 CHYKD: MDABROWSKA 2009/06/25 APPR: GOGRODNIK 2009/08/04	DESCRIPTION REV	<b>QUALITY SYMBOLS</b> =0 =0	<b>GENERAL TOLERANCES (UNLESS SPECIFIED)</b>		<b>DIMENSION STYLE</b> <b>MM ONLY</b>		<b>SCALE</b> ---	<b>DESIGN UNITS</b> <b>METRIC</b>	<b>FIRST ANGLE PROJECTION</b>																									
				<table border="1"> <tr> <th></th> <th>mm</th> <th>INCH</th> </tr> <tr> <td>4 PLACES</td> <td>± ---</td> <td>± ---</td> </tr> <tr> <td>3 PLACES</td> <td>± ---</td> <td>± ---</td> </tr> <tr> <td>2 PLACES</td> <td>± ---</td> <td>± ---</td> </tr> <tr> <td>1 PLACE</td> <td>± ---</td> <td>± ---</td> </tr> </table>		mm	INCH	4 PLACES	± ---	± ---	3 PLACES	± ---	± ---	2 PLACES	± ---	± ---	1 PLACE	± ---	± ---	<table border="1"> <tr> <th>DRAWN BY</th> <th>DATE</th> </tr> <tr> <td>MWOLSZCZAK</td> <td>2009/01/20</td> </tr> <tr> <th>CHECKED BY</th> <th>DATE</th> </tr> <tr> <td>MDABROWSKA</td> <td>2009/01/20</td> </tr> <tr> <th>APPROVED BY</th> <th>DATE</th> </tr> <tr> <td>GOGRODNIK</td> <td>2009/01/20</td> </tr> </table>	DRAWN BY	DATE	MWOLSZCZAK	2009/01/20	CHECKED BY	DATE	MDABROWSKA	2009/01/20	APPROVED BY	DATE	GOGRODNIK	2009/01/20	<b>TITLE</b> MPM E453XXXXXXXXXXXX	
			mm	INCH																														
		4 PLACES	± ---	± ---																														
3 PLACES	± ---	± ---																																
2 PLACES	± ---	± ---																																
1 PLACE	± ---	± ---																																
DRAWN BY	DATE																																	
MWOLSZCZAK	2009/01/20																																	
CHECKED BY	DATE																																	
MDABROWSKA	2009/01/20																																	
APPROVED BY	DATE																																	
GOGRODNIK	2009/01/20																																	
<b>DRAFT WHERE APPLICABLE MUST REMAIN WITHIN DIMENSIONS</b>		<b>SEE DRAWING</b>	<b>MOLEX INCORPORATED</b>		<b>SHEET NO.</b> 2 OF 4																													
		<b>ANGULAR ±---°</b>	<b>MATERIAL NO.</b>	<b>DOCUMENT NO.</b> E453XXXXXXXXXXXX																														

9 8 7 6 5 4 3 2 1

TABELA 2 KABLE/TABLE 2 CABLES

TABELA 2 KABLE/TABLE 2 CABLES

Table with columns: MOLEX PN, mPm, Code, PRZEW, PRZEKROJ, MATERIAL, KOLOR/COLOUR, SREDNICA Ø, DIN A-B, DIN C. Contains 40 rows of cable specifications.

Table with columns: MOLEX PN, mPm, Code, PRZEW, PRZEKROJ, MATERIAL, KOLOR/COLOUR, SREDNICA Ø, DIN A-B, DIN C. Contains 20 rows of cable specifications.

TABELA 1 TYPY KABLI/TABLE 1 CABLES TYPE

Table with columns: Znakowanie /Code, Rodzaje kabli /Cable type, Właściwości /Features, Przekroje /Stranding. Lists cable types N, I, P, A, B with their properties and cross-sections.

Technical drawing header containing: ORIGINAL RELEASE, QUALITY SYMBOLS, GENERAL TOLERANCES, DIMENSION STYLE, SCALE, DESIGN UNITS, FIRST ANGLE PROJECTION, DRAWN BY, DATE, TITLE, MOLEX INCORPORATED, SEE DRAWING, SHEET NO. 3 OF 4.

TABELA 3/CHART 3

MOLEX P/N	WOODHEAD P/N	MOLEX P/N	WOODHEAD P/N
1210400521	E453A3A30022000	1210502446	E453I3N80021Q12
1210400525	E453B3A10K22000	1210502452	E453B3A50061Q02
1210400526	E453B3A10K62000	1210502453	E453B3A10K21Q02
1210400527	E453B3A30022000	1210502454	E453B3A50021Q02
1210400528	E453B3A30062000	1210502455	E453B3A30021Q02
1210400529	E453B3A50022000	1210502517	E453I2N10K21Q12
1210400530	E453B3A50062000	1210502535	E453P2N10K61Q12
1210400539	E453N3N30022000	1210502557	E453I2N50021Q02
1210400540	E453N3N30062000	1210502562	E453N3N30022C44
1210400541	E453N3N50022000	1210502603	E453P3N5001118H
1210400547	E453P3N30022000	1210501787	E453N3N30061Q02
1210400550	E453P3N50022000	1210502941	W453I3N5002RQ02
1210400675	E453A3A50022000	1210502887	W453P2G5006RQ02
1210400684	E453N3N10K62000	1210502964	W453I3N2002RQ02
1210400697	E453A3A50062000	1210502668	E453I2N30021Q62
1210400698	E453A3A10K62000	1210503016	E453B3A30063Q02
1210400796	E453N3N20062000	1210501794	E453I3N10K61Q02
1210400833	E453A3A10022000	1210500848	E453I3N30061Q12
1210400864	E453B2A30022000	1210502473	E453I3N5002RQ02
1210400937	E453N3N2002P000	1210502972	E453N2N80011I72
1210400953	E453N3N1002P000	1210502979	E453P2N10K2PQ02
1210400967	E453N3N5002P000	1210500888	E453P2N30021Q01
1210400973	E453P3N2502P000	1210501869	E453P2N50021Q52
1210400980	E453A3A15K62000	1210502980	E453P2N50K2RQ02
1210500839	E453I3N20021Q02	1210503035	E453N2N20061C42
1210500842	E453I3N30021Q02		
1210500844	E453I3N30021Q12		
1210500845	E453I3N30021Q62		
1210500854	E453I3N50021Q12		
1210500858	E453I3N50061Q12		
1210500875	E453N3N50022Q02		
1210500889	E453P2N30021Q02		
1210500895	E453P2N30061Q12		
1210501823	E453P2N50061Q12		
1210501848	E453P3N40011I7H		
1210501868	E453P2N30021Q52		
1210502033	E453P3N4001118H		
1210502409	E453I2N20021Q12		
1210502410	E453I2N30021Q12		
1210502440	E453I2N50021Q12		

ORIGINAL RELEASE EC NO: WEU2009-0466 DRWIN: MWOLSZCZAK 2009/06/25 CHYKD: MDABROWSKA 2009/06/25 APPR: GOGRODNIK 2009/08/04	QUALITY SYMBOLS ▽=0 ◻=0	GENERAL TOLERANCES (UNLESS SPECIFIED)		DIMENSION STYLE <b>MM ONLY</b>		SCALE ---	DESIGN UNITS METRIC	FIRST ANGLE PROJECTION		
			mm      INCH	DRAWN BY MWOLSZCZAK	DATE 2009/01/20	TITLE MPM E453XXXXXXXXXXXX				
		4 PLACES 3 PLACES 2 PLACES 1 PLACE	± ---    ± --- ± ---    ± --- ± ---    ± --- ± ---    ± ---	CHECKED BY MDABROWSKA	DATE 2009/01/20	APPROVED BY GOGRODNIK				
		ANGULAR ± ---°		DATE 2009/01/20	MATERIAL NO. SEE DRAWING		DOCUMENT NO. E453XXXXXXXXXXXX		SHEET NO. 4 OF 4	
DRAFT WHERE APPLICABLE MUST REMAIN WITHIN DIMENSIONS		THIS DRAWING CONTAINS INFORMATION THAT IS PROPRIETARY TO MOLEX INCORPORATED AND SHOULD NOT BE USED WITHOUT WRITTEN PERMISSION								