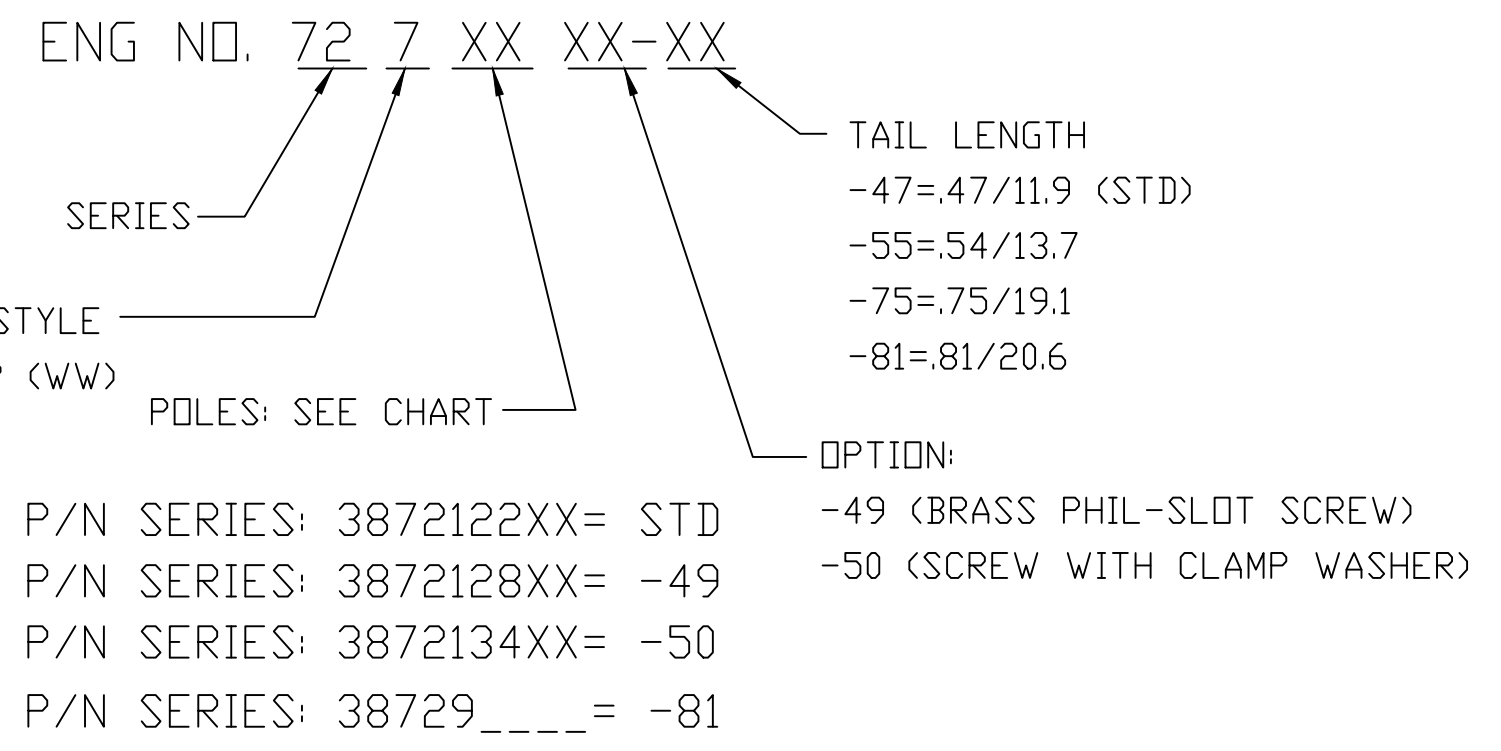


| PART NUMBER DATA | | | | | | | | | |
|------------------|-------|-------|-------|--------|--------|--------|------|-------|--|
| CIRCUITS | A IN | mm | B IN | mm | C IN | mm | D IN | mm | |
| 2 | 1.58 | 40.2 | .375 | 9.52 | 1.125 | 28.58 | .83 | 21.1 | |
| 3 | 1.96 | 49.7 | .750 | 19.05 | 1.500 | 38.10 | 1.21 | 30.7 | |
| 4 | 2.33 | 59.2 | 1.125 | 28.58 | 1.875 | 47.63 | 1.58 | 40.2 | |
| 5 | 2.71 | 68.7 | 1.500 | 38.10 | 2.250 | 57.15 | 1.96 | 49.7 | |
| 6 | 3.08 | 78.3 | 1.875 | 47.63 | 2.625 | 66.68 | 2.33 | 59.2 | |
| 7 | 3.46 | 87.8 | 2.250 | 57.15 | 3.000 | 76.20 | 2.71 | 68.8 | |
| 8 | 3.83 | 97.3 | 2.625 | 66.68 | 3.375 | 85.73 | 3.08 | 78.3 | |
| 9 | 4.21 | 106.8 | 3.000 | 76.20 | 3.750 | 95.25 | 3.46 | 87.8 | |
| 10 | 4.58 | 116.4 | 3.375 | 85.73 | 4.125 | 104.78 | 3.83 | 97.3 | |
| 11 | 4.96 | 125.9 | 3.750 | 95.25 | 4.500 | 114.30 | 4.21 | 106.9 | |
| 12 | 5.33 | 135.4 | 4.125 | 104.78 | 4.875 | 123.83 | 4.58 | 116.4 | |
| 13 | 5.71 | 144.9 | 4.500 | 114.30 | 5.250 | 133.35 | 4.96 | 125.9 | |
| 14 | 6.08 | 154.5 | 4.875 | 123.83 | 5.625 | 142.88 | 5.33 | 135.4 | |
| 15 | 6.46 | 164.0 | 5.250 | 133.35 | 6.000 | 152.40 | 5.71 | 145.0 | |
| 16 | 6.83 | 173.5 | 5.625 | 142.88 | 6.375 | 161.93 | 6.08 | 154.5 | |
| 17 | 7.21 | 183.0 | 6.000 | 152.40 | 6.750 | 171.45 | 6.46 | 164.0 | |
| 18 | 7.58 | 192.6 | 6.375 | 161.93 | 7.125 | 180.98 | 6.83 | 173.5 | |
| 19 | 7.96 | 202.1 | 6.750 | 171.45 | 7.500 | 190.50 | 7.21 | 183.1 | |
| 20 | 8.33 | 211.6 | 7.125 | 180.98 | 7.875 | 200.03 | 7.58 | 192.6 | |
| 21 | 8.71 | 221.1 | 7.500 | 190.50 | 8.250 | 209.55 | 7.96 | 202.1 | |
| 22 | 9.08 | 230.7 | 7.875 | 200.03 | 8.625 | 219.08 | 8.33 | 211.6 | |
| 23 | 9.46 | 240.2 | 8.250 | 209.55 | 9.000 | 228.60 | 8.71 | 221.2 | |
| 24 | 9.83 | 249.7 | 8.625 | 219.08 | 9.375 | 238.13 | 9.08 | 230.7 | |
| 25 | 10.21 | 259.2 | 9.000 | 228.60 | 9.750 | 247.65 | 9.46 | 240.2 | |
| 26 | 10.58 | 268.8 | 9.375 | 238.13 | 10.125 | 257.18 | 9.83 | 249.7 | |

PART NUMBER LEGEND



- NOTES:
1. MATERIAL: SEE TABLE
 2. ASSEMBLY MUST MEET BEAU WORKMANSHIP STANDARD ES-19900-059
 3. PRODUCT SPECIFICATION: PS-38710-001
 4. SEE SAP BOM FOR COMPONENT PART NUMBERS
 5. "XX" REFERS TO THE QUANTITY OF CIRCUITS

REF. THIS DRAWING SUPERSEDES E-78721-003 REV-B

| ITEM | QTY | DESCRIPTION | MATERIAL NO. | ENGINEERING NO. |
|------|-----|-------------------------------------|--------------|-----------------|
| 6 | XX | #6-32 PH/SLOTTED SCREW (OPTION -50) | 380010099 | 2504-9201-C220 |
| 5 | XX | #6-32 PH/SLOTTED SCREW (OPTION -49) | 380010058 | 1804-9101-A120 |
| 4 | XX | #6-32 PH/SLOTTED SCREW (STD) | 380010092 | 2504-9101-C220 |
| 3 | 2 | MOUNTING PLATE | 380021308 | 7204-7201-A120 |
| 2 | XX | TERMINAL | 380021279 | 7204-3411-A260 |
| 1 | 1 | BARRIER TERMINAL STRIP | 38728_____ | 7200-XX02-V000 |

RELEASED EC NO: IPG2015-0118
 DRWN: RSTONE 2014/07/18
 CHKD: BARDEN 2014/07/23
 APPR: JFMURPHY 2014/08/02

QUALITY SYMBOL
 ▽=0
 ▽=0

GENERAL TOLERANCES (UNLESS SPECIFIED)

| | mm | INCH |
|----------|-------|-------|
| 4 PLACES | ±--- | ±--- |
| 3 PLACES | ±--- | ±.005 |
| 2 PLACES | ±0.13 | ±.01 |
| 1 PLACE | ±0.3 | ±--- |

ANGULAR ±---°

DRAFT WHERE APPLICABLE MUST REMAIN WITHIN DIMENSIONS

DIMENSION STYLE IN/MM

SCALE ---

DESIGN UNITS INCH

THIRD ANGLE PROJECTION

DRAWN BY: RSTONE DATE: 2014/07/18

CHECKED BY: DATE: ---

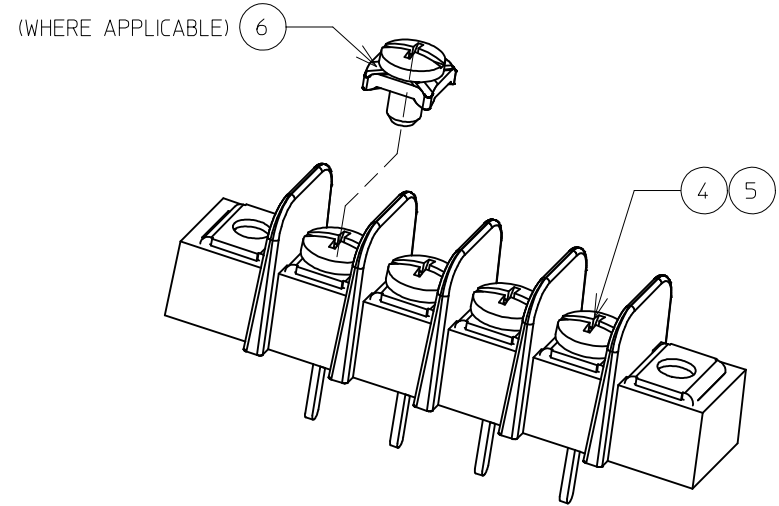
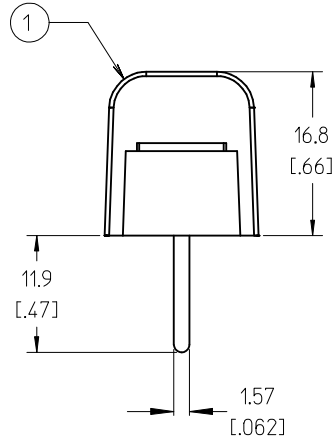
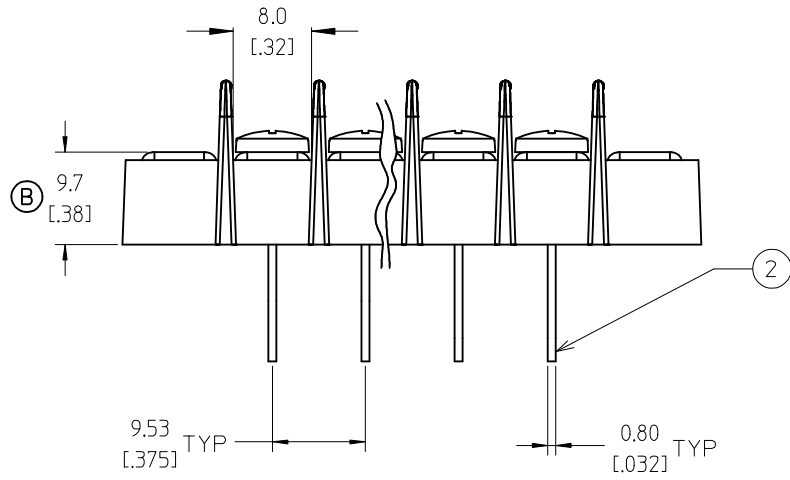
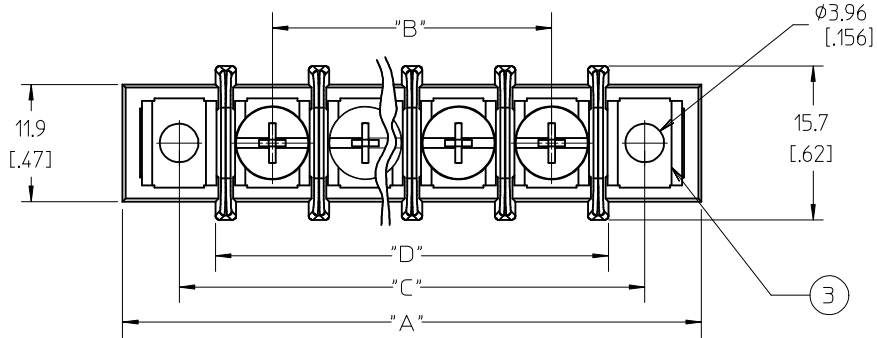
APPROVED BY: JFMURPHY DATE: 2014/08/02

MATERIAL NO. SEE PART LEGEND

DOCUMENT NO. E-38721-010

SHEET NO. 1 OF 1

THIS DRAWING CONTAINS INFORMATION THAT IS PROPRIETARY TO MOLEX INCORPORATED AND SHOULD NOT BE USED WITHOUT WRITTEN PERMISSION



PERSPECTIVE VIEW
4 CIRCUIT SHOWN

NOTES:

1. MATERIAL: SEE TABLE
2. FINISHES: SEE TABLE
3. PRODUCT SPECIFICATION: NOT REQUIRED
4. PACKAGING: NOT REQUIRED
5. MATES WITH: NONE
6. *XX* REFERS TO THE QUANTITY OF CIRCUITS.
7. ALL COMPONENTS ARE ROHS COMPLIANT.

| ITEM | QTY | DESCRIPTION | MATERIAL | FINISH |
|------|-----|-------------------------------------|----------|--------------------|
| 6 | XX | #6-32 PH/SLOTTED SCREW (OPTION -50) | STEEL | ZN, CLEAR CHROMATE |
| 5 | XX | #6-32 PH/SLOTTED SCREW (OPTION -49) | BRASS | NICKEL PLATE |
| 4 | XX | #6-32 PH/SLOTTED SCREW (STD) | STEEL | ZN, CLEAR CHROMATE |
| 3 | 2 | MOUNTING PLATE | BRASS | NICKEL PLATE |
| 2 | XX | TERMINAL | BRASS | TIN PLATE |
| 1 | 1 | BARRIER TERMINAL STRIP | PBT | BLACK |

UPDATE TERM. HEIGHT DIM.
 EC NO: WNA2009-0445
 DRWN: JENC INAS 2009/07/01
 CHKD: CYORK 2009/07/02
 APPR: JMACNE IL 2009/07/02

QUALITY SYMBOLS
 ▽=0
 ▽=0

| | GENERAL TOLERANCES (UNLESS SPECIFIED) | |
|---------------|---------------------------------------|--------|
| | mm | INCH |
| 4 PLACES | ± --- | ± --- |
| 3 PLACES | ± --- | ± .005 |
| 2 PLACES | ± 0.13 | ± .01 |
| 1 PLACE | ± 0.3 | ± --- |
| ANGULAR ± 2 ° | | |

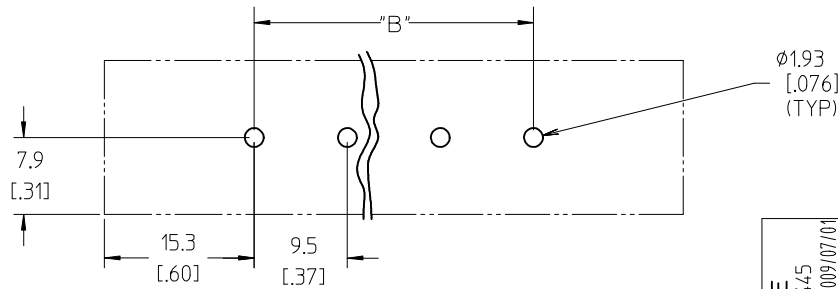
DRAFT WHERE APPLICABLE
MUST REMAIN WITHIN DIMENSIONS

| DIMENSION STYLE | |
|------------------------|--------------------|
| MM/IN | SCALE |
| DRAWN BY C. YORK | DATE 2006/03/24 |
| CHECKED BY RDEROSS | DATE 2006/03/24 |
| APPROVED BY RDEROSS | DATE 2006/03/24 |

| SCALE | DESIGN UNITS | THIRD ANGLE PROJECTION |
|--|--------------|---------------------------|
| 2:1 | INCH | ☉ |
| SR BTS, WW, ASSY 9.53 MM [0.375] CENTERS | | |
| MOLEX INCORPORATED | | SHEET NO. 1 OF 2 |
| MATERIAL NO. SEE CHART | | DOCUMENT NO. SD-38721-003 |

| NUMBER OF CIRCUITS "XX" | DIM. "A" | | DIM. "B" | | DIM. "C" | | DIM. "D" | |
|-------------------------|----------|---------|----------|---------|----------|---------|----------|--------|
| 02 | 40.1 | [1.58] | 9.53 | [.375] | 28.6 | [1.13] | 21.1 | [.83] |
| 03 | 49.7 | [1.96] | 19.05 | [.750] | 38.1 | [1.50] | 30.6 | [1.21] |
| 04 | 59.2 | [2.33] | 28.58 | [1.125] | 47.6 | [1.88] | 40.1 | [1.58] |
| 05 | 68.7 | [2.71] | 38.10 | [1.500] | 57.2 | [2.25] | 49.7 | [1.96] |
| 06 | 78.2 | [3.08] | 47.63 | [1.875] | 66.7 | [2.63] | 59.2 | [2.33] |
| 07 | 87.8 | [3.46] | 57.15 | [2.250] | 76.2 | [3.00] | 68.7 | [2.71] |
| 08 | 97.3 | [3.83] | 66.68 | [2.625] | 85.7 | [3.38] | 78.2 | [3.08] |
| 09 | 106.8 | [4.21] | 76.20 | [3.000] | 95.3 | [3.75] | 87.8 | [3.46] |
| 10 | 116.3 | [4.58] | 85.73 | [3.375] | 104.8 | [4.13] | 97.3 | [3.83] |
| 11 | 125.9 | [4.96] | 95.25 | [3.750] | 114.3 | [4.50] | 106.8 | [4.21] |
| 12 | 135.4 | [5.33] | 104.78 | [4.125] | 123.8 | [4.88] | 116.3 | [4.58] |
| 13 | 144.9 | [5.71] | 114.30 | [4.500] | 133.4 | [5.25] | 125.9 | [4.96] |
| 14 | 154.4 | [6.08] | 123.83 | [4.875] | 142.9 | [5.63] | 135.4 | [5.33] |
| 15 | 164.0 | [6.46] | 133.35 | [5.250] | 152.4 | [6.00] | 144.9 | [5.71] |
| 16 | 173.5 | [6.83] | 142.88 | [5.625] | 161.9 | [6.38] | 154.4 | [6.08] |
| 17 | 183.0 | [7.21] | 152.40 | [6.000] | 171.5 | [6.75] | 164.0 | [6.46] |
| 18 | 192.5 | [7.58] | 161.93 | [6.375] | 181.0 | [7.13] | 173.5 | [7.21] |
| 19 | 202.1 | [7.96] | 171.45 | [6.750] | 190.5 | [7.50] | 192.5 | [7.58] |
| 20 | 211.6 | [8.33] | 180.98 | [7.125] | 200.0 | [7.88] | 202.1 | [7.96] |
| 21 | 221.1 | [8.71] | 190.50 | [7.500] | 209.6 | [8.25] | 211.6 | [8.33] |
| 22 | 230.6 | [9.08] | 200.03 | [7.875] | 219.1 | [8.63] | 221.1 | [8.71] |
| 23 | 240.2 | [9.46] | 209.55 | [8.250] | 228.6 | [9.00] | 230.6 | [9.08] |
| 24 | 249.7 | [9.83] | 219.08 | [8.625] | 238.1 | [9.38] | 230.6 | [9.08] |
| 25 | 259.2 | [10.21] | 228.60 | [9.000] | 247.7 | [9.75] | 240.2 | [9.46] |
| 26 | 268.7 | [10.58] | 238.13 | [9.375] | 257.2 | [10.13] | 249.7 | [9.83] |

| MATERIAL NO. (OPTION -50) | MATERIAL NO. (OPTION -49) | MATERIAL NO. (STANDARD) | NUMBER OF CIRCUITS "XX" |
|---------------------------|---------------------------|-------------------------|-------------------------|
| 38721-3402 | 38721-2802 | 38721-2202 | 02 |
| 38721-3403 | 38721-2803 | 38721-2203 | 03 |
| 38721-3404 | 38721-2804 | 38721-2204 | 04 |
| 38721-3405 | 38721-2805 | 38721-2205 | 05 |
| 38721-3406 | 38721-2806 | 38721-2206 | 06 |
| 38721-3407 | 38721-2807 | 38721-2207 | 07 |
| 38721-3408 | 38721-2808 | 38721-2208 | 08 |
| 38721-3409 | 38721-2809 | 38721-2209 | 09 |
| 38721-3410 | 38721-2810 | 38721-2210 | 10 |
| 38721-3411 | 38721-2811 | 38721-2211 | 11 |
| 38721-3412 | 38721-2812 | 38721-2212 | 12 |
| 38721-3413 | 38721-2813 | 38721-2213 | 13 |
| 38721-3414 | 38721-2814 | 38721-2214 | 14 |
| 38721-3415 | 38721-2815 | 38721-2215 | 15 |
| 38721-3416 | 38721-2816 | 38721-2216 | 16 |
| 38721-3417 | 38721-2817 | 38721-2217 | 17 |
| 38721-3418 | 38721-2818 | 38721-2218 | 18 |
| 38721-3419 | 38721-2819 | 38721-2219 | 19 |
| 38721-3420 | 38721-2820 | 38721-2220 | 20 |
| 38721-3421 | 38721-2821 | 38721-2221 | 21 |
| 38721-3422 | 38721-2822 | 38721-2222 | 22 |
| 38721-3423 | 38721-2823 | 38721-2223 | 23 |
| 38721-3424 | 38721-2824 | 38721-2224 | 24 |
| 38721-3425 | 38721-2825 | 38721-2225 | 25 |
| 38721-3426 | 38721-2826 | 38721-2226 | 26 |

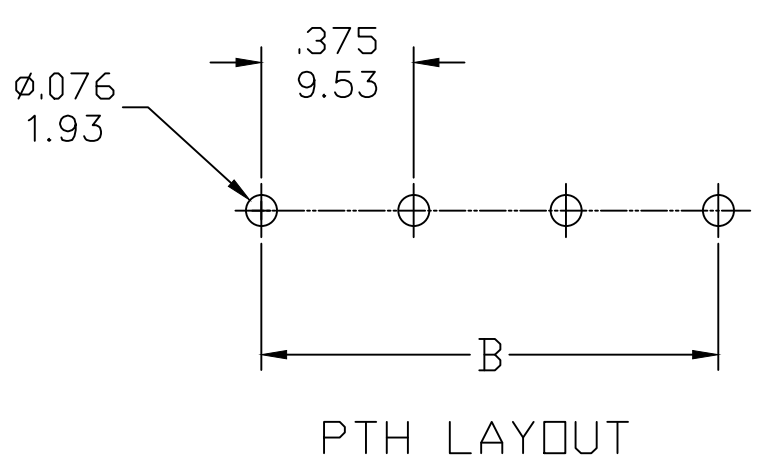
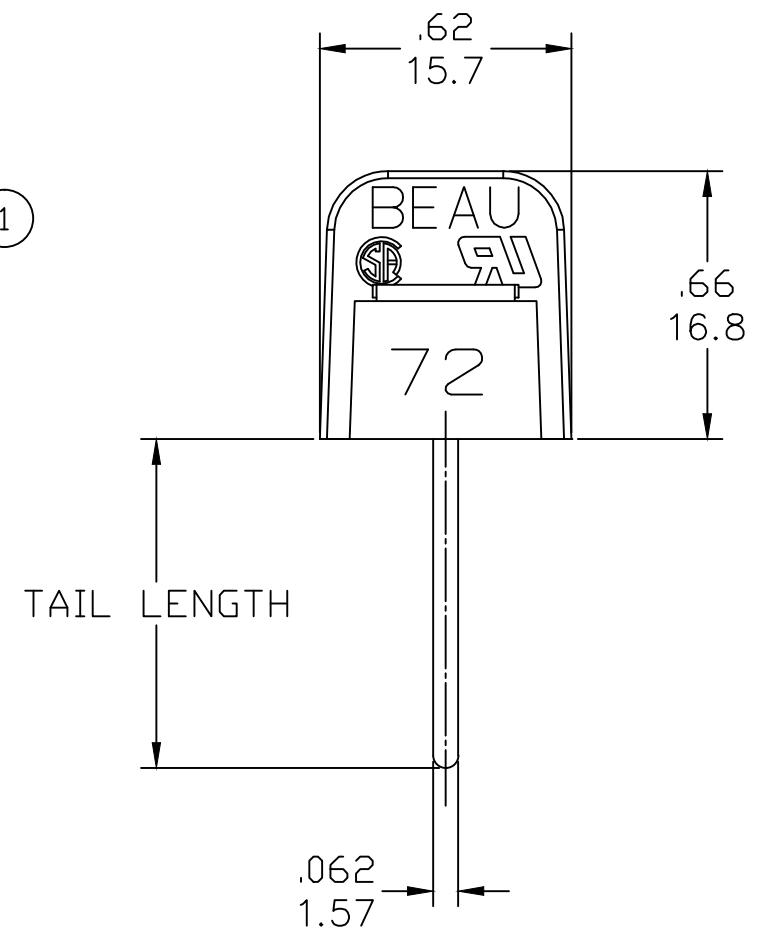
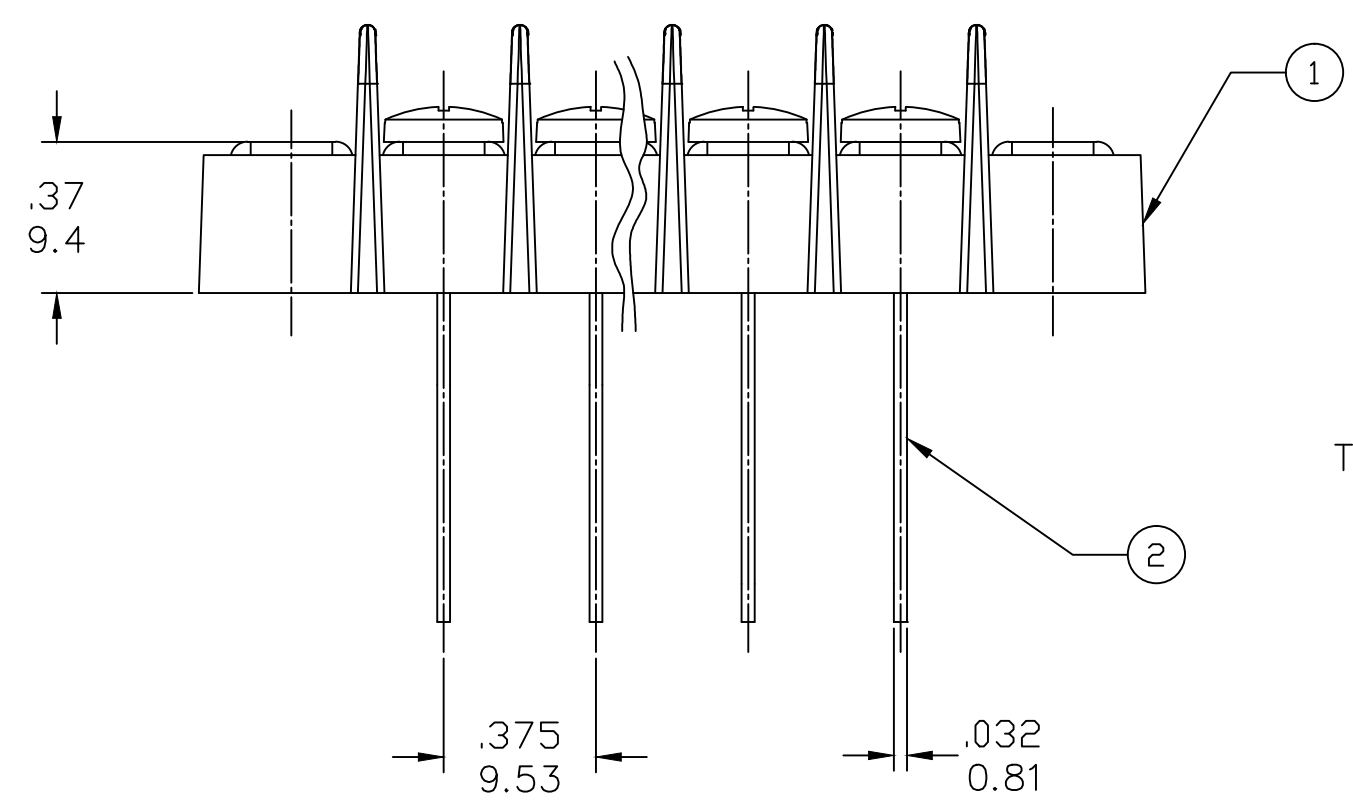
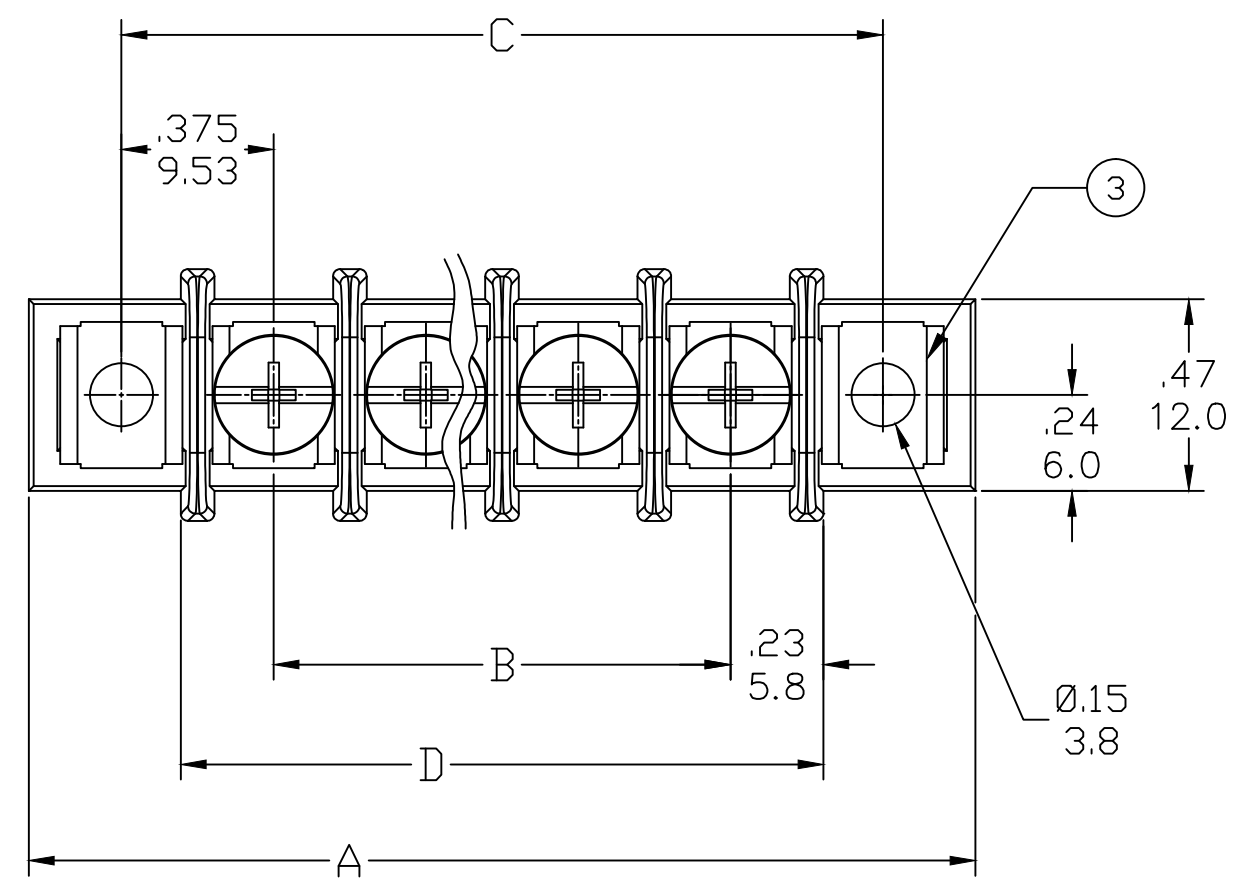
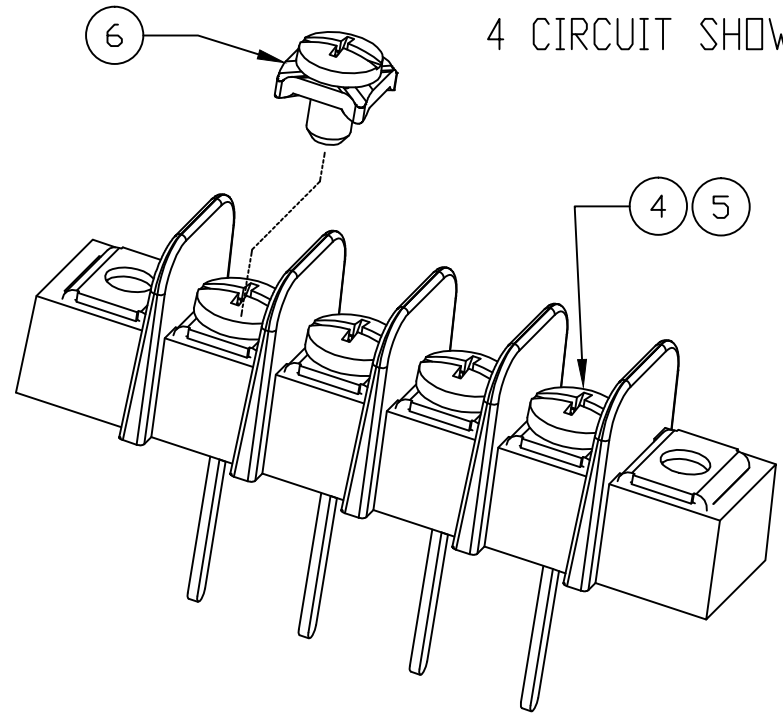


| SEE SHEET ONE EC NO: WNA2009-0445 DRWN: JENC INAS 2009/07/01 CHKD: CYORK 2009/07/02 APPR: JMACNE IL 2009/07/02 | QUALITY SYMBOLS ▽=0 ▽=0 | GENERAL TOLERANCES (UNLESS SPECIFIED) <table border="1"> <tr><th colspan="2">mm</th><th colspan="2">INCH</th></tr> <tr><td>4 PLACES</td><td>± ---</td><td>± ---</td><td></td></tr> <tr><td>3 PLACES</td><td>± ---</td><td>± .005</td><td></td></tr> <tr><td>2 PLACES</td><td>± 0.13</td><td>± .01</td><td></td></tr> <tr><td>1 PLACE</td><td>± 0.3</td><td>± ---</td><td></td></tr> </table> | mm | | INCH | | 4 PLACES | ± --- | ± --- | | 3 PLACES | ± --- | ± .005 | | 2 PLACES | ± 0.13 | ± .01 | | 1 PLACE | ± 0.3 | ± --- | | DIMENSION STYLE MM/IN | SCALE 2:1 | DESIGN UNITS INCH | THIRD ANGLE PROJECTION |
|---|-------------------------------|---|--------|----------------------------|------|--|----------|-------|-------|--|----------|-------|--------|--|----------|--------|-------|--|---------|-------|-------|--|---------------------------------|---------------------|-----------------------------|------------------------|
| | mm | | INCH | | | | | | | | | | | | | | | | | | | | | | | |
| | 4 PLACES | ± --- | ± --- | | | | | | | | | | | | | | | | | | | | | | | |
| | 3 PLACES | ± --- | ± .005 | | | | | | | | | | | | | | | | | | | | | | | |
| 2 PLACES | ± 0.13 | ± .01 | | | | | | | | | | | | | | | | | | | | | | | | |
| 1 PLACE | ± 0.3 | ± --- | | | | | | | | | | | | | | | | | | | | | | | | |
| DRAWN BY C. YORK | DATE 2006/03/24 | TITLE SR BTS, WW, ASSY 9.53 MM [.375] CENTERS | | | | | | | | | | | | | | | | | | | | | | | | |
| CHECKED BY RDEROSS | DATE 2006/03/24 | APPROVED BY RDEROSS | | | | | | | | | | | | | | | | | | | | | | | | |
| MATERIAL NO. | DATE 2006/03/24 | DOCUMENT NO. SD-38721-003 | | SHEET NO. 2 OF 2 | | | | | | | | | | | | | | | | | | | | | | |

DRAFT WHERE APPLICABLE MUST REMAIN WITHIN DIMENSIONS

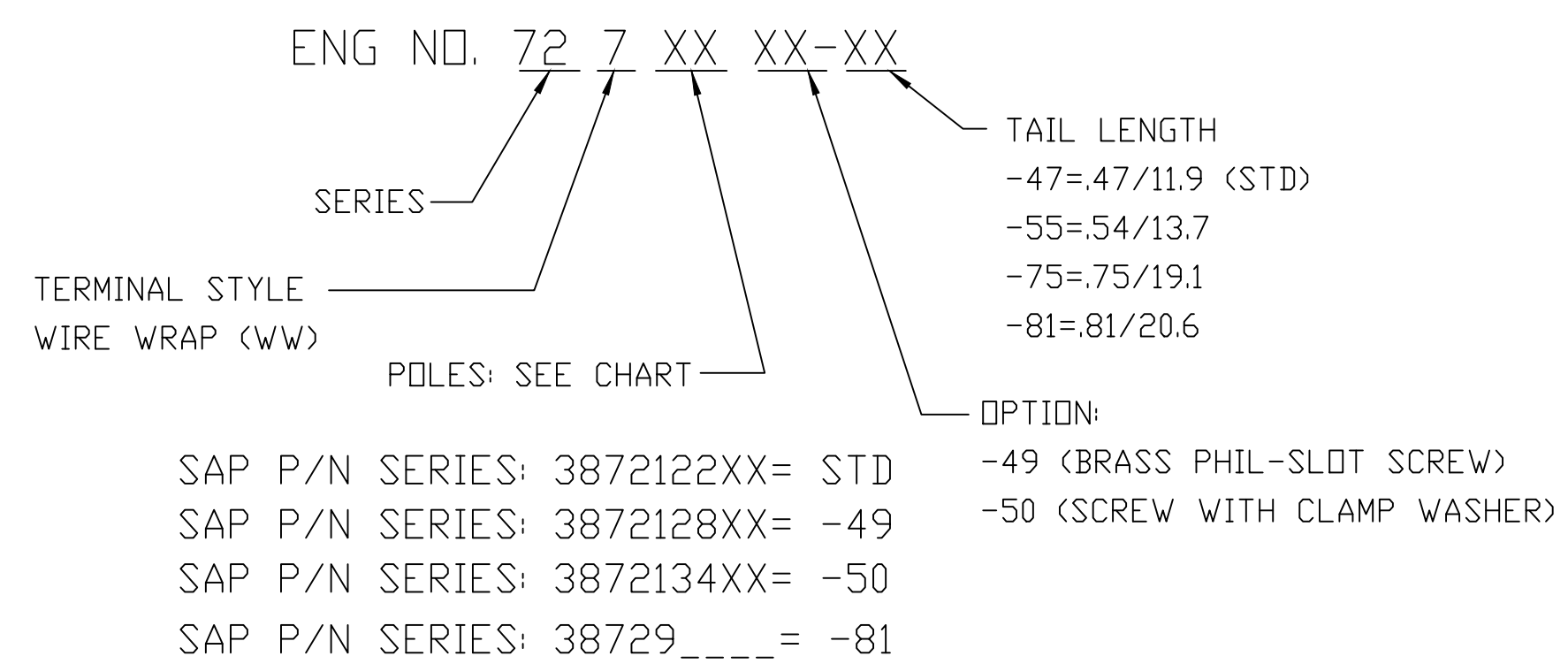
SIZE B THIS DRAWING CONTAINS INFORMATION THAT IS PROPRIETARY TO MOLEX INCORPORATED AND SHOULD NOT BE USED WITHOUT WRITTEN PERMISSION

ISO VIEW
4 CIRCUIT SHOWN



| PART NUMBER DATA | | | | | | | | | |
|------------------|---------|-------|---------|--------|---------|--------|---------|-------|--|
| CIRCUITS | A IN mm | | B IN mm | | C IN mm | | D IN mm | | |
| | IN | mm | IN | mm | IN | mm | IN | mm | |
| 2 | 1.58 | 40.2 | .375 | 9.52 | 1.125 | 28.58 | .83 | 21.1 | |
| 3 | 1.96 | 49.7 | .750 | 19.05 | 1.500 | 38.10 | 1.21 | 30.7 | |
| 4 | 2.33 | 59.2 | 1.125 | 28.58 | 1.875 | 47.63 | 1.58 | 40.2 | |
| 5 | 2.71 | 68.7 | 1.500 | 38.10 | 2.250 | 57.15 | 1.96 | 49.7 | |
| 6 | 3.08 | 78.3 | 1.875 | 47.63 | 2.625 | 66.68 | 2.33 | 59.2 | |
| 7 | 3.46 | 87.8 | 2.250 | 57.15 | 3.000 | 76.20 | 2.71 | 68.8 | |
| 8 | 3.83 | 97.3 | 2.625 | 66.68 | 3.375 | 85.73 | 3.08 | 78.3 | |
| 9 | 4.21 | 106.8 | 3.000 | 76.20 | 3.750 | 95.25 | 3.46 | 87.8 | |
| 10 | 4.58 | 116.4 | 3.375 | 85.73 | 4.125 | 104.78 | 3.83 | 97.3 | |
| 11 | 4.96 | 125.9 | 3.750 | 95.25 | 4.500 | 114.30 | 4.21 | 106.9 | |
| 12 | 5.33 | 135.4 | 4.125 | 104.78 | 4.875 | 123.83 | 4.58 | 116.4 | |
| 13 | 5.71 | 144.9 | 4.500 | 114.30 | 5.250 | 133.35 | 4.96 | 125.9 | |
| 14 | 6.08 | 154.5 | 4.875 | 123.83 | 5.625 | 142.88 | 5.33 | 135.4 | |
| 15 | 6.46 | 164.0 | 5.250 | 133.35 | 6.000 | 152.40 | 5.71 | 145.0 | |
| 16 | 6.83 | 173.5 | 5.625 | 142.88 | 6.375 | 161.93 | 6.08 | 154.5 | |
| 17 | 7.21 | 183.0 | 6.000 | 152.40 | 6.750 | 171.45 | 6.46 | 164.0 | |
| 18 | 7.58 | 192.6 | 6.375 | 161.93 | 7.125 | 180.98 | 6.83 | 173.5 | |
| 19 | 7.96 | 202.1 | 6.750 | 171.45 | 7.500 | 190.50 | 7.21 | 183.1 | |
| 20 | 8.33 | 211.6 | 7.125 | 180.98 | 7.875 | 200.03 | 7.58 | 192.6 | |
| 21 | 8.71 | 221.1 | 7.500 | 190.50 | 8.250 | 209.55 | 7.96 | 202.1 | |
| 22 | 9.08 | 230.7 | 7.875 | 200.03 | 8.625 | 219.08 | 8.33 | 211.6 | |
| 23 | 9.46 | 240.2 | 8.250 | 209.55 | 9.000 | 228.60 | 8.71 | 221.2 | |
| 24 | 9.83 | 249.7 | 8.625 | 219.08 | 9.375 | 238.13 | 9.08 | 230.7 | |
| 25 | 10.21 | 259.2 | 9.000 | 228.60 | 9.750 | 247.65 | 9.46 | 240.2 | |
| 26 | 10.58 | 268.8 | 9.375 | 238.13 | 10.125 | 257.18 | 9.83 | 249.7 | |

PART NUMBER LEGEND



- NOTES:
- MATERIAL: SEE TABLE
 - FINISHES: SEE TABLE
 - PRODUCT SPECIFICATION: PS-38710-001
 - "XX" REFERS TO THE QUANTITY OF CIRCUITS
 - DIMS SHOWN ARE FOR REFERENCE ONLY

REF. THIS DRAWING SUPERSEDES SD-78721-003 REV-B

| ITEM | QTY | DESCRIPTION | MATERIAL | FINISH |
|------|-----|-------------------------------------|----------|--------------------|
| 6 | XX | #6-32 PH/SLOTTED SCREW (OPTION -50) | STEEL | ZN, CLEAR CHROMATE |
| 5 | XX | #6-32 PH/SLOTTED SCREW (OPTION -49) | BRASS | NICKEL PLATE |
| 4 | XX | #6-32 PH/SLOTTED SCREW (STD) | STEEL | ZN, CLEAR CHROMATE |
| 3 | 2 | MOUNTING PLATE | BRASS | NICKEL PLATE |
| 2 | XX | TERMINAL | BRASS | TIN PLATE |
| 1 | 1 | BARRIER TERMINAL STRIP | PBT | BLACK |

| | | | | | |
|----------------|---------------------|-------------------------|-------------------------|---------------------------|-------------|
| RELEASED | EC NO: ICG2015-0118 | DRWN: RSTONE 2014/07/17 | CHKD: BARDEN 2014/07/23 | APPR: JFMURPHY 2014/08/02 | DESCRIPTION |
| QUALITY SYMBOL | ▽=0 | ▽=0 | | | |

| | | | | | | | |
|---------------------------------------|----------|--|-----------------------|---|---------------------------|--|------------------------|
| GENERAL TOLERANCES (UNLESS SPECIFIED) | mm | INCH | DIMENSION STYLE IN/MM | | SCALE --- | DESIGN UNITS INCH | THIRD ANGLE PROJECTION |
| | 4 PLACES | ±--- | ±--- | DRAWN BY RSTONE | DATE 2014/07/17 | TITLE | |
| | 3 PLACES | ±--- | ±.005 | CHECKED BY BARDEN | DATE --- | SR BTS WW ASSY .375 PITCH WITH MOUNTING ENDS | |
| | 2 PLACES | ±0.13 | ±.01 | APPROVED BY JFMURPHY | DATE 2014/08/02 | MOLEX INCORPORATED | |
| | 1 PLACE | ±0.3 | ±--- | MATERIAL NO. SEE PART LEGEND | DOCUMENT NO. SD-38721-010 | SHEET NO. 1 OF 1 | |
| ANGULAR ±---° | | DRAFT WHERE APPLICABLE MUST REMAIN WITHIN DIMENSIONS | | THIS DRAWING CONTAINS INFORMATION THAT IS PROPRIETARY TO MOLEX INCORPORATED AND SHOULD NOT BE USED WITHOUT WRITTEN PERMISSION | | | |