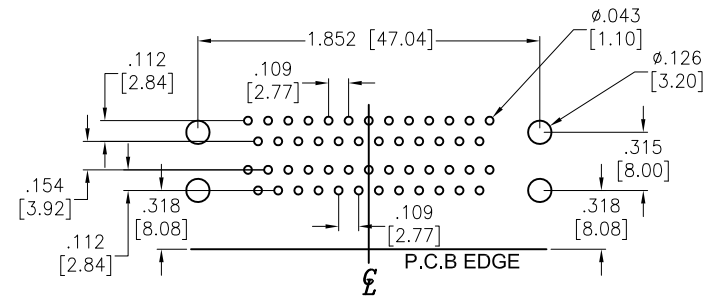
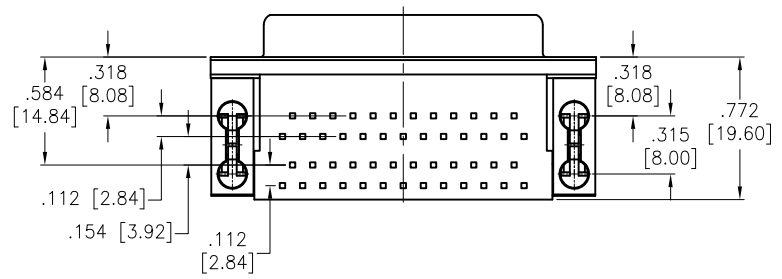
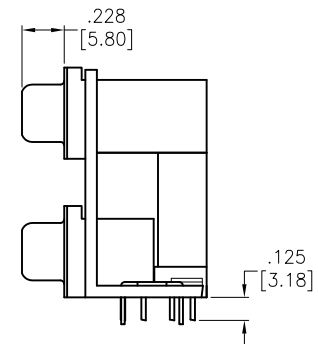
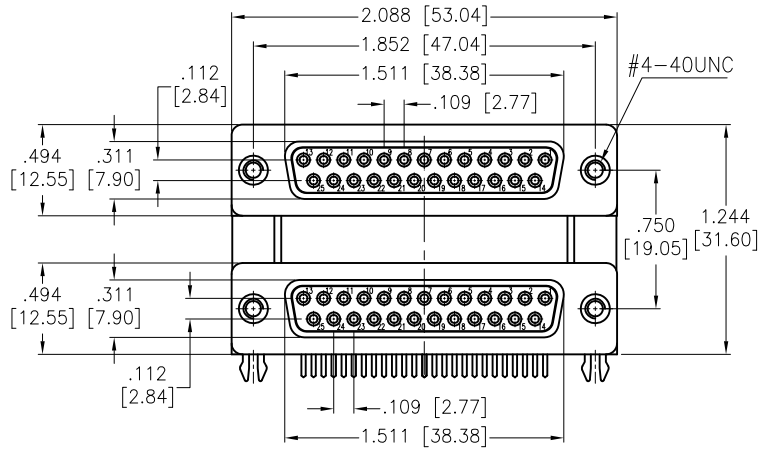


Rev	AWO #	Description	Date	Appr
-		RELEASED	7/26/18	

APPROVED: \_\_\_\_\_  
 DATE: \_\_\_\_\_ TITLE: \_\_\_\_\_



RECOMMENDED PCB LAYOUT

**SPECIFICATIONS:**

**Material:**  
 Insulator: PBT, rated UL 94V-0  
 Insulator color: Black  
 Contacts: Copper Alloy  
 Shell: SPCC, Nickel plated  
 Boardlock: Copper Alloy, Tin plated  
 Bracket: Zinc Alloy, Nickel plated  
**Plating:**  
 Gold flash over Nickel underplate in contact area,  
 Tin over Nickel underplate on solder tails.

**Electrical:**  
 Operation Voltage: 250 VAC (RMS) max  
 Current rating: 3 Ampere per Contact  
 Contact resistance: 25 mohms max  
 Insulation resistance: 5,000 Mohms min  
 Dielectric withstanding voltage: 1,000 VAC (RMS)  
 Temperature Rating:  
 Operating temperature: -55°C to +85°C  
**Environmental:**  
 Lead free, RoHS compliant



UNLESS OTHERWISE SPECIFIED ALL DIMENSIONS ARE INCHES [MM] TOLERANCES: EXCEPT AS NOTED		
INCHES HOLES		
.X ± .10	Ø.X ± .10	
.XX ± .020	Ø.XX ± .015	
.XXX ± .015	Ø.XXX ± .010	
APPROVALS		DATE
DRAWN	AY	7/26/18
CHECKED	LW	7/26/18
APPROVED		

	909 Rahway Avenue, Union, NJ 07083 Phone: 908-687-5000 Fax: 908-687-5710	
	TITLE: DUAL PORT D-SUB, 25P FEMALE OVER 25P FEMALE	
SIZE X	PART NO. DPD-25-00-B3	REV. -
REF: S00027T	SCALE: NTS	SHEET 1 OF 1

6

5

4

3

2

1

D

D

C

C

B

B

A

A

6

5

4

3

2

1