

CAT. NO. & DIMENSIONS

NO. OF CONTACTS (n)	CAT. NO.	DIMENSIONS (NOTE2)			
		A ±0.2	B ±0.15	C ±0.15	D ±0.1
4	SFR 4R-1ST__LF	8.6	7.7	2.4	4.2
6	SFR 6R-1ST__LF	10.2	9.3	4.0	5.8
8	SFR 8R-1ST__LF	11.8	10.9	5.6	7.4
10	SFR10R-1ST__LF	13.4	12.5	7.2	9.0
12	SFR12R-1ST__LF	15.0	14.1	8.8	10.6
14	SFR14R-1ST__LF	16.6	15.7	10.4	12.2
16	SFR16R-1ST__LF	18.2	17.3	12.0	13.8
18	SFR18R-1ST__LF	19.8	18.9	13.6	15.4
20	SFR20R-1ST__LF	21.4	20.5	15.2	17.0
22	SFR22R-1ST__LF	23.0	22.1	16.8	18.6
24	SFR24R-1ST__LF	24.6	23.7	18.4	20.2
26	SFR26R-1ST__LF	26.2	25.3	20.0	21.8
28	SFR28R-1ST__LF	27.8	26.9	21.6	23.4
30	SFR30R-1ST__LF	29.4	28.5	23.2	25.0

CAT. NO.

SFR (n) R - 1 ST __ LF

SERIES NAME

NO. OF CONTACTS

RIGHT ANGLE TYPE

USE FOR FPC/FFC

FOR AUTOMATIC MOUNTING (SMT)

PACKAGE STYLE

LEAD FREE

NOTES

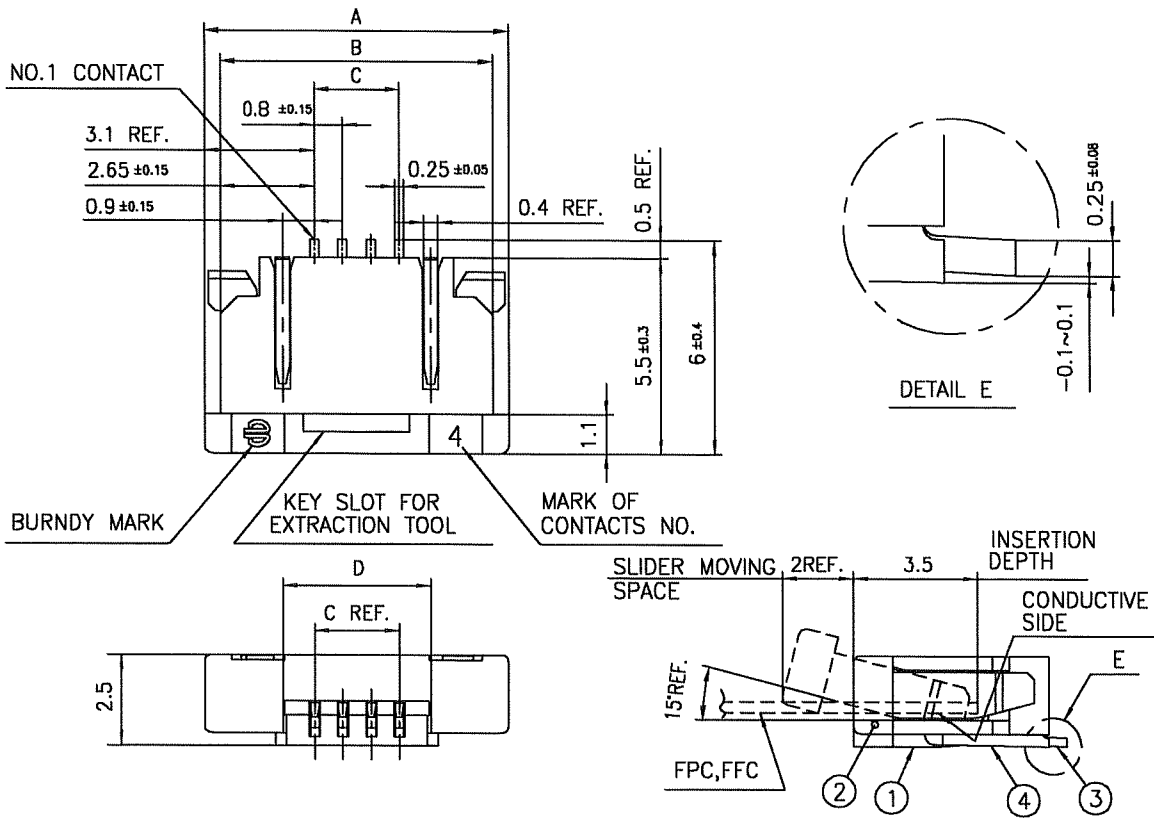
1. THIS IS SMT CONNECTOR FOR AUTOMATIC MOUNTING.
2. SEE PART DRAWINGS FOR DIMENSIONS A~D.



FCIconnect.com

Copyright FCI.

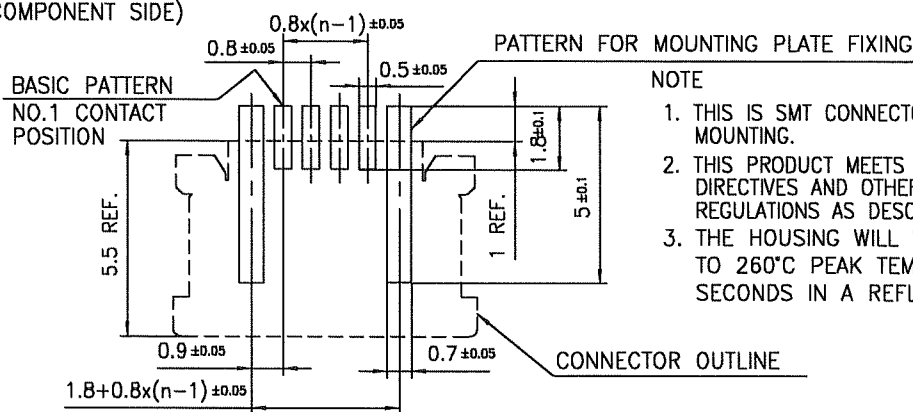
mat'l. code				surface <input checked="" type="checkbox"/> ISO 1302 <input checked="" type="checkbox"/> tolerance <input checked="" type="checkbox"/> ISO 406 <input checked="" type="checkbox"/> ISO 1101		projection		product family 58BF		CODE JP	
ltr		ecn no		dr		date		tolerances unless otherwise specified		title	
A		J05-0280		H.T.		5/12/05		angles linear		CAT NO. TABLE FOR 0.8mm SPACING CONNECTOR (Cat. No. SFR__R-1ST__LF)	
B		J06-0485		H.T.		11/20/06		mm		scale X	
				dr		11/20/06		FCI		dwg no sheet 1 of 1 size	
				enr		11/20/06				JSA 96438 A4	
				chr		11/20/06				type Product Customer Drawing	
				appd		11/20/06				Rev. B	
sheet index		revision B		sheet 1						D	



PT. NO.	PARTS NAME	MATERIAL	Q'TY	NOTE
1	HOUSING	PPS RESIN GLASS REINFORCED (UL94V-0)	1	COLOR:BLACK
2	SLIDER		1	
3	CONTACT	PHOSPHOR BRONZE	n	PLATING:TIN (LEAD FREE)
4	MOUNTING PLATE		2	

n : NO. OF CONTACTS

RECOMMENDED PC BOARD LAYOUT (COMPONENT SIDE)

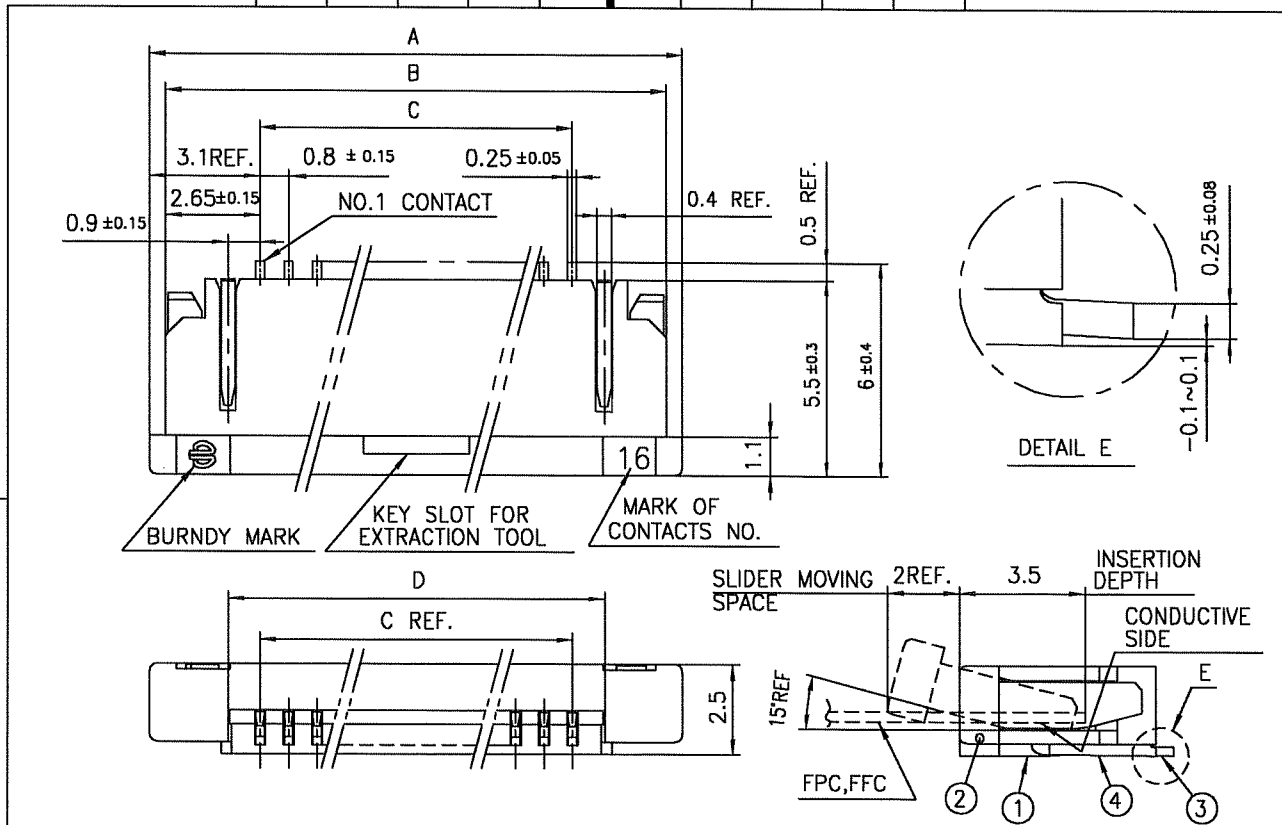


mat'l. code				surface ISO 1302 ✓	tolerance ISO 406 ISO 1101	projection	product family 58BF	CODE JP
ltr	ecn no	dr	date	tolerances unless otherwise specified		mm	title	
A	J05-0280	H.T	5/12/05	angles	linear ±0.2		0.8mm SPACING CONNECTOR (Cat. No. SFR4R-1ST__LF)	
B	J05-0730	H.T	10/28/05			scale X	dwg no sheet 1 of 1 size	
C	J06-0485	H.T	11/20/06				JSA 96439 A4	
				dr	11/20/06	FCI	type Product Customer Drawing	
				enr	11/20/06			
				chr	11/20/06			
				appd	11/21/06			
sheet index	revision sheet	C	1					Rev. C



FCIconnect.com

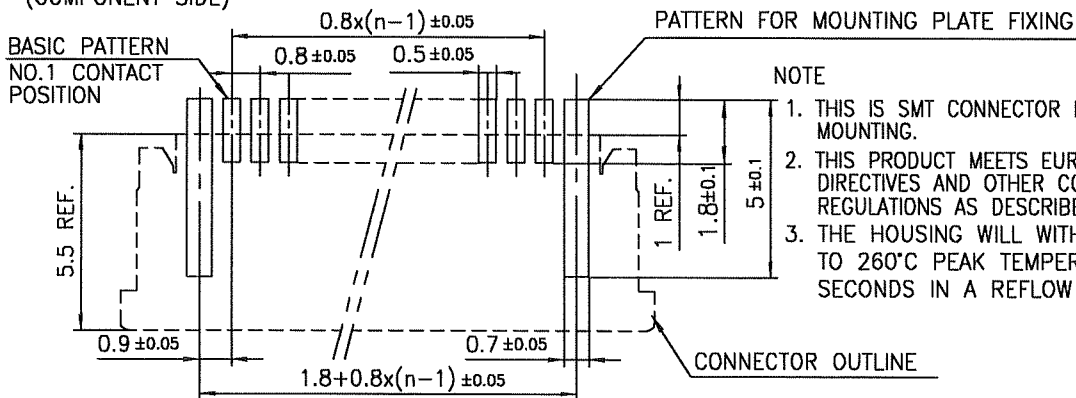
Copyright FCI.



PT. NO.	PARTS NAME	MATERIAL	Q'TY	NOTE
1	HOUSING	PPS RESIN GLASS REINFORCED (UL94V-0)	1	COLOR : BLACK
2	SLIDER		1	
3	CONTACT	PHOSPHOR BRONZE	n	PLATING : TIN (LEAD FREE)
4	MOUNTING PLATE		2	

n : NO. OF CONTACTS

RECOMMENDED PC BOARD LAYOUT
(COMPONENT SIDE)



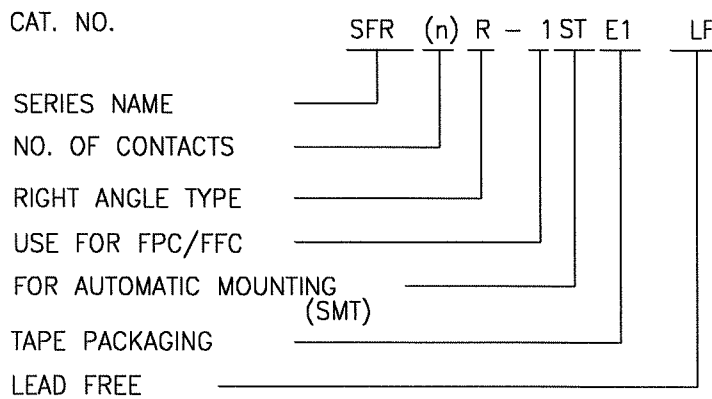
NOTE

1. THIS IS SMT CONNECTOR FOR AUTOMATIC MOUNTING.
2. THIS PRODUCT MEETS EUROPEAN UNION DIRECTIVES AND OTHER COUNTRY REGULATIONS AS DESCRIBED IN GS-22-008.
3. THE HOUSING WILL WITHSTAND EXPOSURE TO 260°C PEAK TEMPERATURE FOR 10 SECONDS IN A REFLOW SOLDERING OVEN.

mat'l. code				surface ISO 1302 ✓	tolerance ISO 406 ISO 1101	projection mm	product family 58BF	CODE JP	
ltr	ecn no	dr	date	tolerances unless otherwise specified		mm	title 0.8mm SPACING CONNECTOR (Cat. No. SFR__R-1ST__LF)		
A	J05-0280	H.T	5/12/05	angles	linear		scale X	dwg no JSA 96440	
B	J05-0730	H.T	10/28/05					sheet 1 of 1 size A4	
C	J06-0485	H.T	11/20/06				type Product Customer Drawing		
sheet index		revision sheet	C 1	dr engr chr appd		FCI		Rev. C	

CAT. NO. & DIMENSIONS

NO. OF CONTACTS (n)	CAT. NO. (NOTE2)	DIMENSIONS (NOTE3)			
		E ±5	F ±0.3	G ±0.1	H ±0.4
4	SFR 4R-1STE1LF	22.4	16	—	3.35
6	SFR 6R-1STE1LF	22.4	16	—	3.35
8	SFR 8R-1STE1LF	30.4	24	—	3.45
10	SFR10R-1STE1LF	30.4	24	—	3.45
12	SFR12R-1STE1LF	30.4	24	—	3.45
14	SFR14R-1STE1LF	30.4	24	—	3.45
16	SFR16R-1STE1LF	30.4	24	—	3.45
18	SFR18R-1STE1LF	38.4	32	28.4	3.45
20	SFR20R-1STE1LF	38.4	32	28.4	3.45
22	SFR22R-1STE1LF	50.4	44	40.4	3.55
24	SFR24R-1STE1LF	50.4	44	40.4	3.55
26	SFR26R-1STE1LF	50.4	44	40.4	3.55
28	SFR28R-1STE1LF	50.4	44	40.4	3.55
30	SFR30R-1STE1LF	50.4	44	40.4	3.55



NOTES

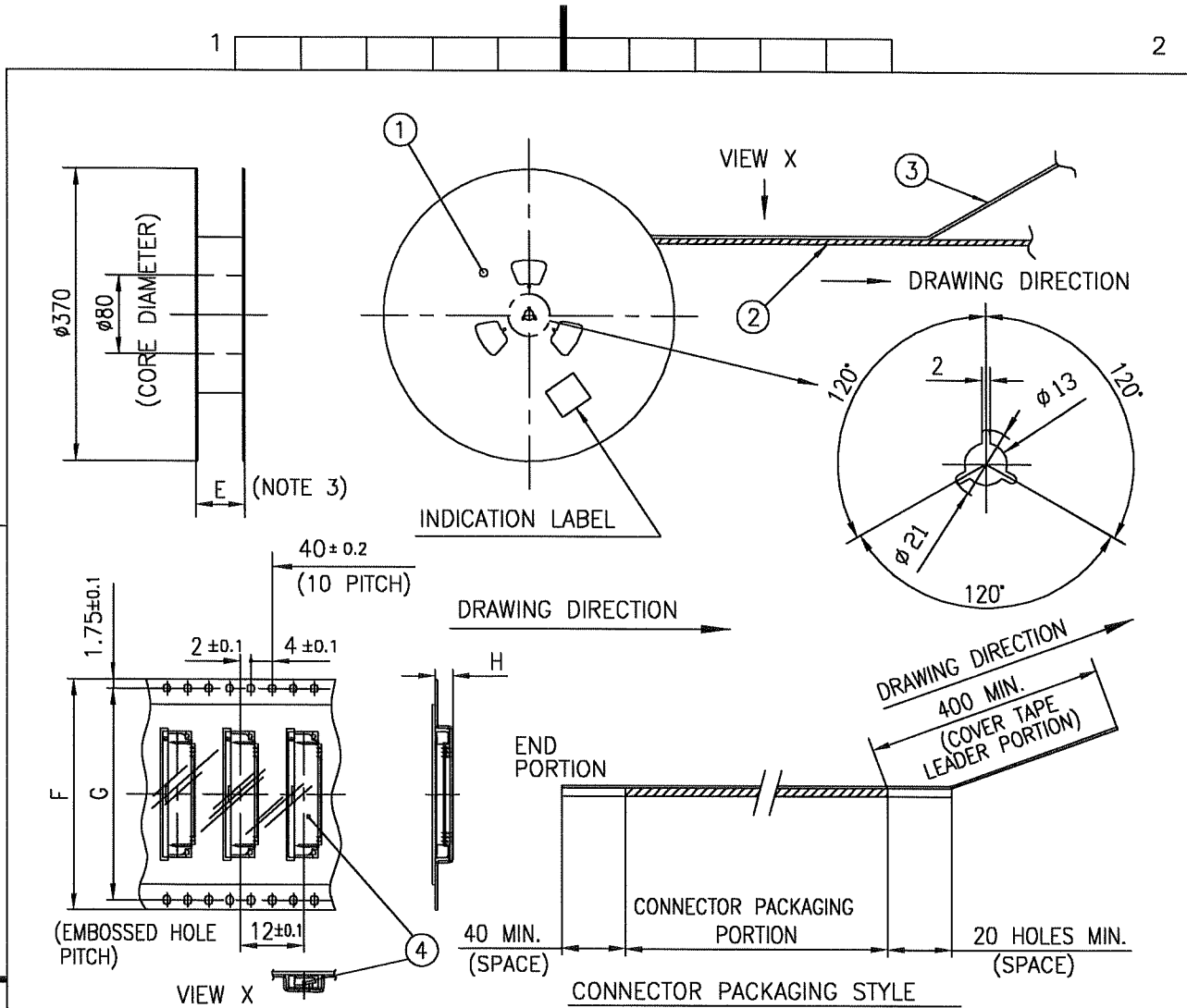
1. THIS IS SMT CONNECTOR FOR AUTOMATIC MOUNTING.
2. THIS CATALOG NO. INDICATES PLASTIC TAPE PACKAGED CONNECTOR.
3. SEE DRAWINGS OF CONNECTOR PACKAGING FOR DIMENSIONS E~H.

mat'l. code				surface ISO 1302 ✓	tolerance ISO 406 ISO 1101	projection	product family 58BF	CODE JP
ltr	ecn no	dr	date	tolerances unless otherwise specified		mm	title	
A	J05-0280	H.T	5/12/05	angles	linear		CAT NO. TABLE FOR PLASTIC TAPE PACKAGED 0.8mm SPACING CONNECTOR (Cat. No. SFR__R-1STE1LF)	
B	J06-0485	H.T	11/20/06			scale X	dwg no	sheet 1 of 1 size
				dr	<i>H. Hoshino</i> 11/20/06		JSA 96441	
				enr	<i>H. Hoshino</i> 11/20/06		A4	
				chr	<i>K. Shouji</i> 11/20/06		type Product Customer Drawing	
				appd	<i>S. Adachi</i> 11/21/06			
sheet index	revision B	sheet 1						Rev. B



FCconnect.com

Copyright FCJ.



PT. NO.	PARTS NAME	CAT. NO.	MATERIAL	Q'TY	NOTE
1	REEL	_____	CARDBOARD	1	COLOR:GRAY
2	PLASTIC (EMBOSS) TAPE	_____	POLYPROPYLENE or A-PET	_____	COLOR:TRANSPARENCY
3	COVER	_____	POLYESTER	_____	COLOR:TRANSPARENCY
4	SURFLOK CONNECTOR	SFR__R-1ST__LF	SEE ATTACHED DWG	2000	_____

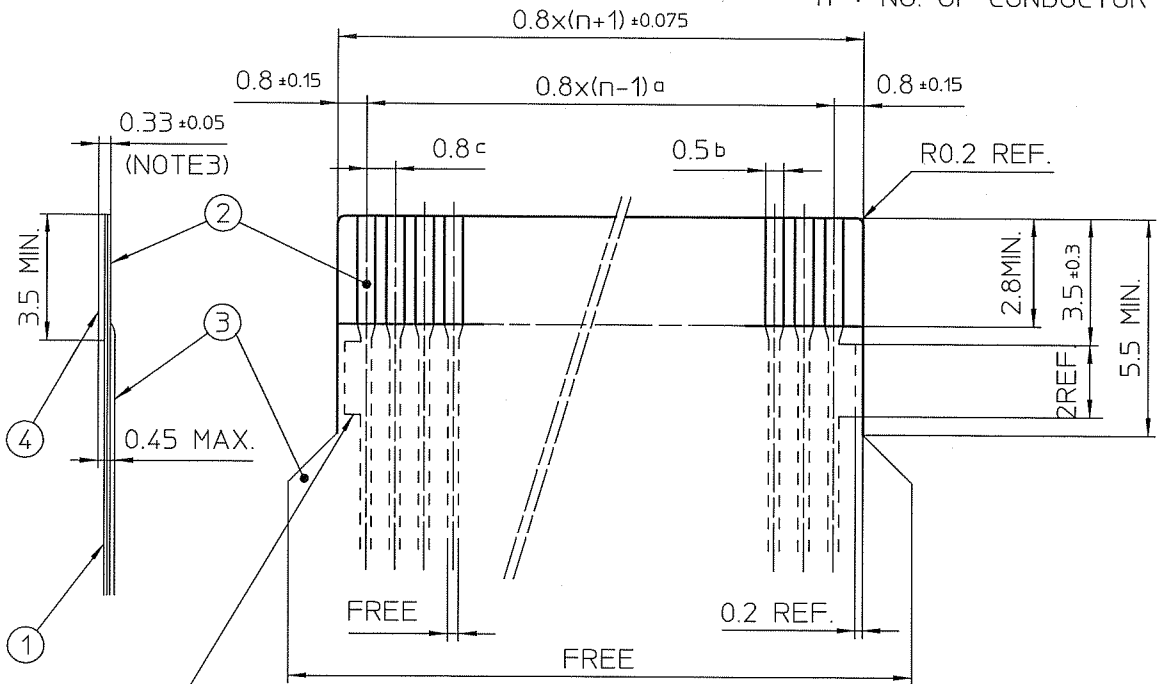
NOTES

- THIS IS PLASTIC TAPE PACKAGED SMT CONNECTORS FOR AUTOMATIC MOUNTING.
- SEE JIS C 0806 (PACKING OF ELECTRONIC COMPONENTS ON CONTINUOUS TAPES (SURFACE MOUNTING DEVICES)) FOR SHAPE AND DIMENSIONS OF PLASTIC (EMBOSS) TAPE AND REEL.
- E DIMENSION IS PORTION OF THE CORE.

mat'l. code				surface <input checked="" type="checkbox"/> ISO 1302 <input checked="" type="checkbox"/> tolerance <input checked="" type="checkbox"/> ISO 406 <input checked="" type="checkbox"/> ISO 1101		projection		product family 58BF		CODE JP	
ltr	ecn no	dr	date	tolerances unless otherwise specified				title			
A	J05-0280	H.T	5/12/05	angles		mm		PLASTIC TAPE PACKAGED 0.8mm SPACING CONNECTOR (Cat. No. SFR__R-1STE1LF)			
B	J06-0485	H.T	11/20/06	linear		scale \times					
				dr <i>H. Hoshino</i> 11/20/06				dwg no		sheet 1 of 1 size	
				enrg <i>H. Hoshino</i> 11/20/06				JSA 96442		A4	
				chr <i>K. Showji</i> 11/20/06				type		Product Customer Drawing	
				appd <i>J. Anderson</i> 11/21/06							
sheet index		revision sheet		B 1						Rev. B	

RECOMMENDED CABLE (FPC)

n : NO. OF CONDUCTOR



INSERTION INSPECTION MARK

KIND OF FPC (NOTE 4)	DIMENSIONAL TOLERANCE		
	a	b	c
1	±0.04	±0.05	±0.04
2	±0.035	±0.075	±0.035

PT. NO.	PARTS NAME	MATERIAL	THICKNESS (μm)
1	BASE FILM	POLYIMIDE OR POLYESTER OR EQUAL	25
2	CONDUCTOR	COPPER FOIL (PLATING : SOLDER 1μm MIN.)	35
3	OVERLAY	POLYIMIDE OR POLYESTER OR EQUAL	—
4	SUPPORTING TAPE	POLYESTER OR POLYIMIDE OR EQUAL	188

NOTES

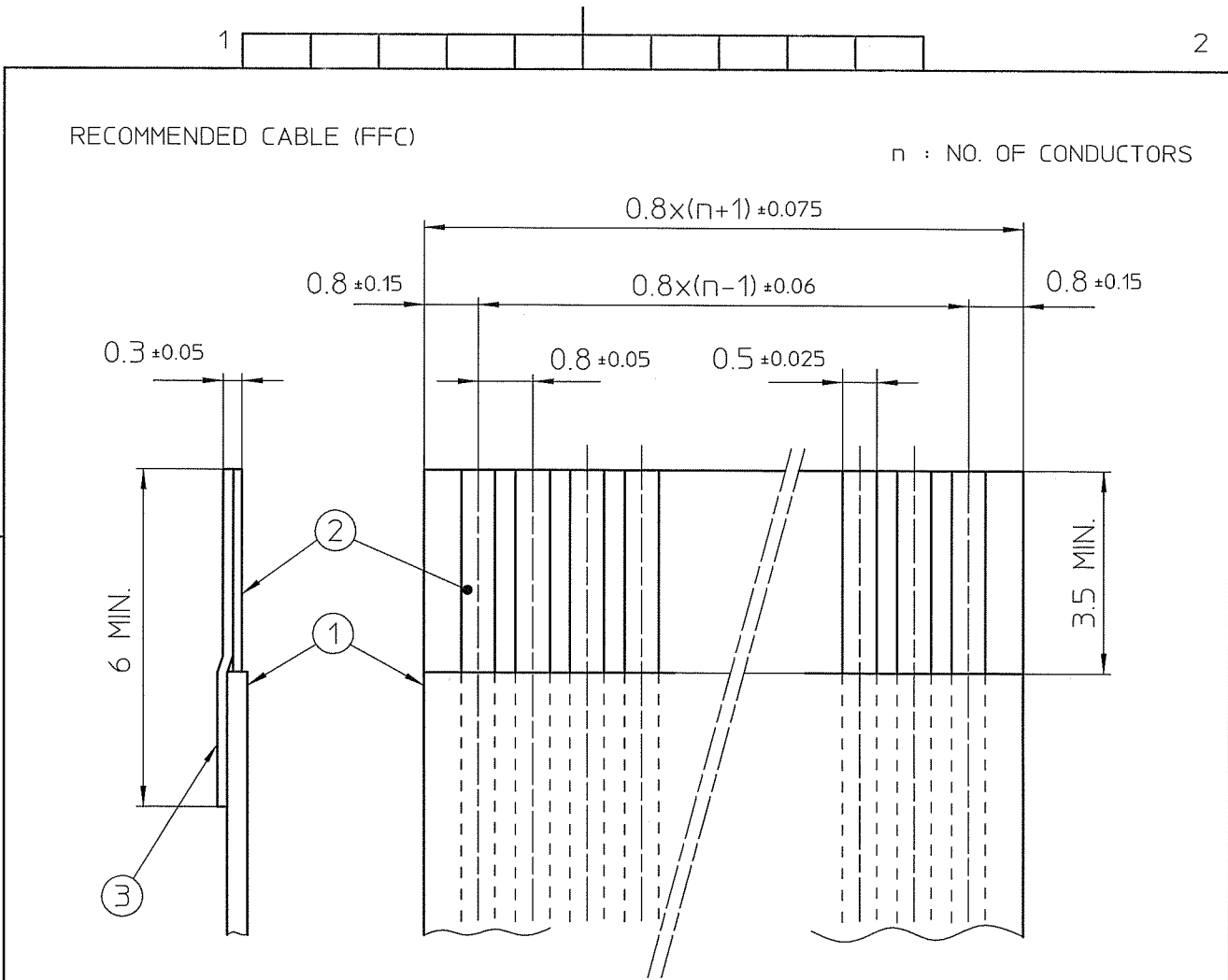
1. NO BURR AT EACH PORTION.
2. NO PEELING IN COMMON USE.
3. TOTAL THICKNESS LIMIT OF EACH MATERIAL (INCLUDING ADHESIVE AGENT) IS SPECIFIED.
4. EITHER KIND 1 OR KIND 2 OF FPC CAN ACCEPT DIMENSIONAL TOLERANCE a, b AND C.

mat'l. code				surface ISO 1302 ✓		tolerance ISO 406 ISO 1101		projection		product family 58BF	
litr ecn no dr date				tolerances unless otherwise specified		angles linear		scale X		title	
AA J04-0357 H.T Oct.13/04										RECOMMENDED CABLE	
AB J06-0351 H.T 8/29/06										(CAT.No.SFR_R-1ST_)	
				dr		8/29/06		FCJ		dwg no sheet 1 of 1 size	
				enr		8/29/06				JSA 90454 A4	
				chr		8/29/06					
				appd		8/29/06				type Product Customer Drawing	
sheet index		revision sheet		AB		1				Rev. AB	



FCIconnect.com

Copyright FCI



PT. NO.	PARTS NAME	MATERIAL	NOTE
1	INSULATOR	FLAME RESISTING POLYESTER OR EQUAL	_____
2	CONDUCTOR	COPPER FOIL : 50 μm	PLATING : TIN OR SOLDER 1 μm MIN.
3	SUPPORTING TAPE	FLAME RESISTING POLYESTER OR EQUAL	_____

NOTES

1. NO BURR AT EACH PORTION.
2. NO PEELING IN COMMON USE.

mat'l. code				surface ISO 1302 ✓		tolerance ISO 406 ISO 1101		projection		product family 58BF		
ltr	ecn no	dr	date	tolerances unless otherwise specified				scale		title RECOMMENDED CABLE (FFC) (CAT.No.SFR__R-1ST__)		
AA	J04-0357	H.T	Oct.13/04	angles	linear							
AB	J06-0351	H.T	8/29/06									
				dr	<i>H. Shoyu</i> 8/29/06				dwg no		sheet 1 of 1	size
				enrg	<i>H. Shoyu</i> 8/29/06				JSA 90455		A4	
				chr	<i>R. Shoyu</i> 8/29/06				type Product Customer Drawing			
				appd	<i>S. Chidam</i> 8/29/06							
sheet index	revision sheet	AB	1							Rev. AB		



FCIconnect.com

Copyright FCI