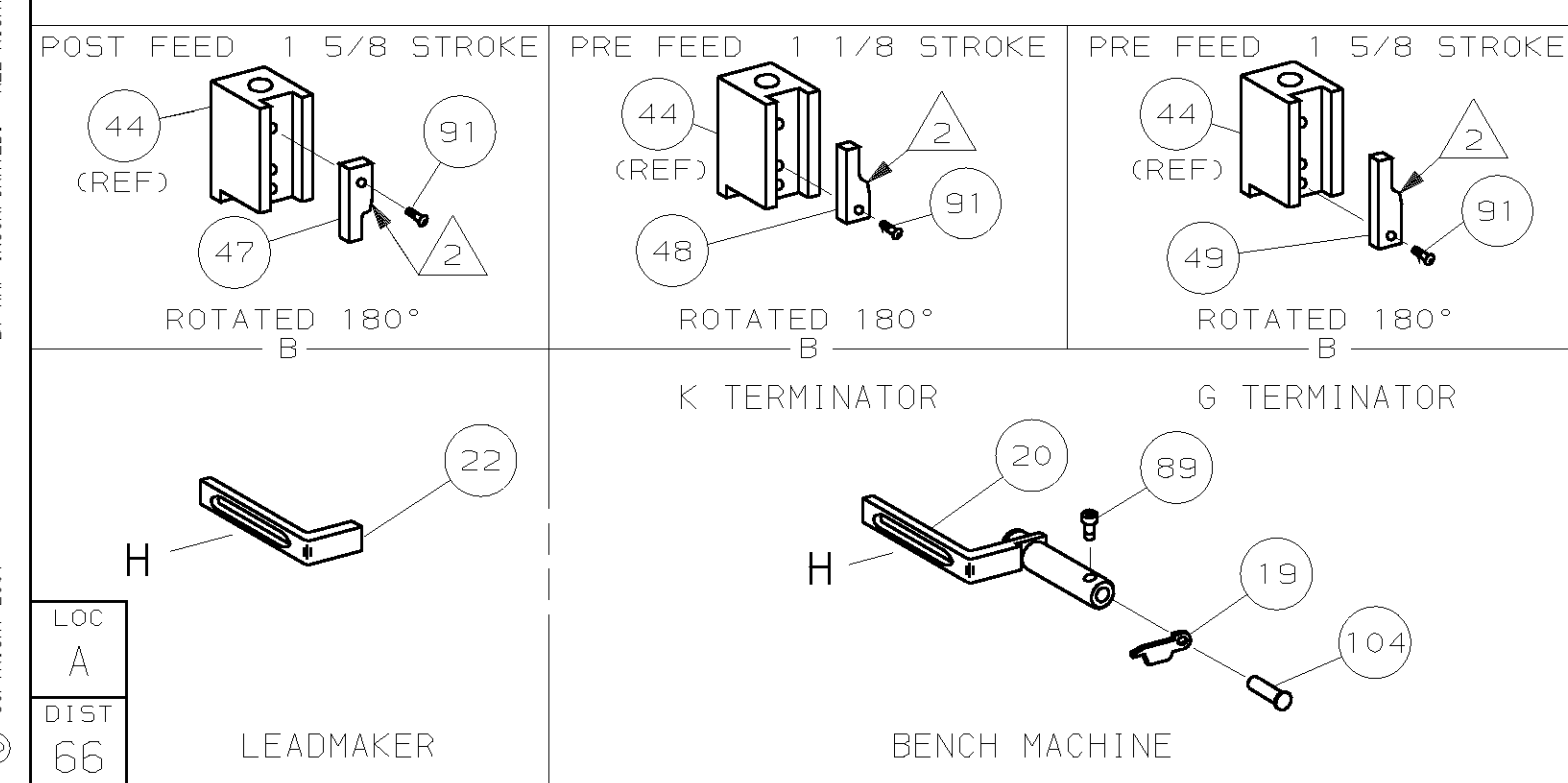
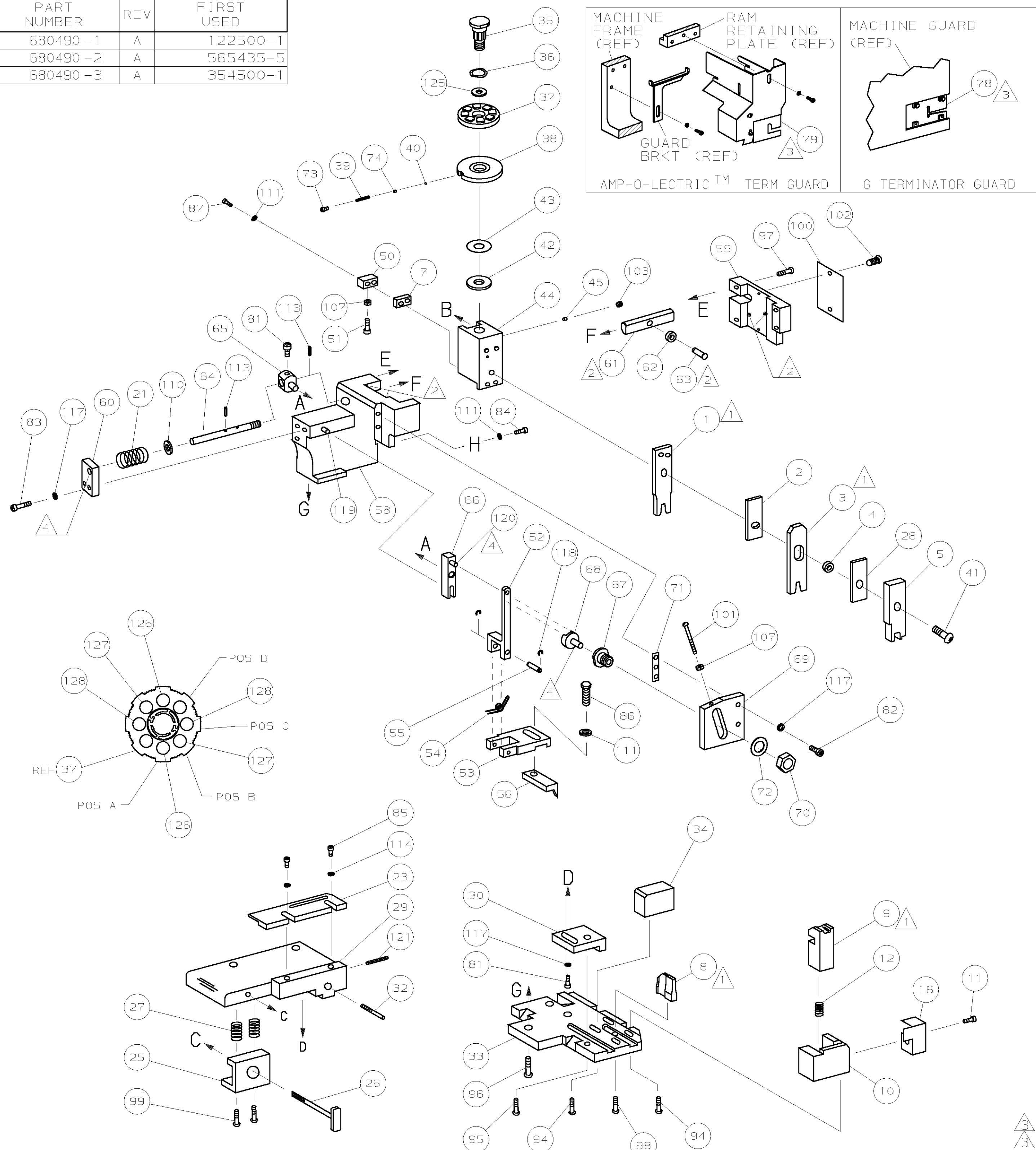


PART NUMBER	REV	FIRST USED
680490-1	A	122500-1
680490-2	A	565435-5
680490-3	A	354500-1



- 1 RECOMMENDED SPARE PARTS.
- 2 GREASE LIGHTLY.
- 3 GUARD MUST BE IN PLACE WHEN OPERATING APPLICATOR IN A BENCH MACHINE.
- 4 LUBRICATE DAILY USING NO. 20 MACHINE OIL.

CRIMPING DATA			
PAD LTR	CRIMP HEIGHT	WIRE SIZE	
A	.046 ±.002 [1.17 ±0.05mm]	18	
B	.041 ±.002 [1.04 ±0.05mm]	20	
C	.037 ±.002 [0.94 ±0.05mm]	22	
D	NOT	USED	
CRIMP	SIZE	TYPE	RANGE
WIRE	.070 [1.78mm]	F	22-18
INSUL	.110 [2.79mm]	F	.055-.098

WIRE STRIP LENGTH	TERM APPL	SPEC	FEED	APPL INSTRUCTION	SET UP GAGE	LAYOUT
.141-.172	NONE		.315	408-8040	458637-1	L1946

QTY	RECD PER ASSY	TERMINAL NAME: RECEPTAL, PIN	DESCRIPTION	ITEM NO
2	2	2	- C 4-354779-8	PIN, WIRE DISC (.3230)C 129
2	2	2	- C 4-354779-0	PIN, WIRE DISC (.3190)B 128
2	2	2	- C 3-354779-0	PIN, WIRE DISC (.3140)A 126
1	1	1	- A 986950-1	WASHER, FLAT PRECISION 125
1	1	1	- A 217238-1	GENERAL INSTRUCTION PACKAGE 124
1	1	1	- - 4088040	SF APPL INST 408-8040 123
				122
1	1	1	- A 4-21028-0	PIN, SLT SPR (Ø.093x.75) ST 6DF PL 121
1	1	1	- A 1-21030-1	PIN, DOWEL (Ø.187x.50) LEVER 120
1	1	1	- A 1-21030-6	PIN, DOWEL (Ø.187x1.25) HOUSING 119
2	2	2	- A 21045-3	RING, RET "C" (Ø.187) FD FING PIN 118
5	5	5	- A 21024-5	WASHER, LOCK (#10) ADJ BLOCK 117
				116
				115
2	2	2	- A 21024-2	WASHER, LOCK (#4) FRONT STP GUIDE 114
2	2	2	- A 5-21028-1	PIN, SLT SPR (Ø.125x.50) ADJ ROD 113
				112
4	4	4	- A 21024-4	WASHER, LOCK (#8) STRIPPER 111
1	1	1	- A 21899-4	WASHER, FLAT (Ø5/16) SCREW ADJ 110
				109
				108
1	2	2	- A 21018-5	NUT, HEX (6-32) FEED ADJ 107
				106
				105
1	1	-	- A 992031-1	PIN, CLEVIS 104
1	1	1	- A 21009-2	SCR, SKT 5ET (1/4-20x.25 LW) RAM 103
2	2	2	- A 21017-2	SCR, DRIVE (#2x.19) ID PLATE 102
1	1	1	- A 6-23715-5	SCR, PAN HD (6-32x1.50) FEED ADJ 101
1	1	1	- B 461264-1	PLATE, IDENTIFICATION 100
2	2	2	- A 3-21002-0	SCR, BHC (10-32x.88) DRAG 99
1	1	1	- A 22733-8	SCR, BHC (8-32x.38 LW) ANVIL 98
2	2	2	- A 2-21002-9	SCR, BHC (10-32x.75) CAP 97
3	3	3	- A 2-22733-8	SCR, BHC (1/4-20x.62) HOUSING 96
1	1	1	- A 2-21002-7	SCR, BHC (10-32x.50) 56 ADJ BLOCK 95
4	4	4	- A 2-21002-2	SCR, BHC (8-32x.50) TERM H DWN 94
				93
				92
1	1	1	- A 1-21002-7	SCR, BHC (6-32x.38) CAM 91
				90
1	1	-	- A 7-21000-9	SCR, SHC (4-40x.19) STRIPPER 89
				88
2	2	2	- A 2-21000-9	SCR, SHC (8-32x.75) DEP-HOLD 87
1	1	1	- A 2-22603-0	SCR, HEX HD (8-32x.31) FEED FINGER 86
2	2	2	- A 1-21000-5	SCR, SHC (4-40x.50) F ST GUIDE 85
1	1	1	- A 2-21000-7	SCR, SHC (8-32x.50) STRIPPER 84
2	2	2	- A 3-21000-7	SCR, SHC (10-32x.75) FEED ROD GD 83
2	2	2	- A 3-21000-6	SCR, SHC (10-32x.62) FEED ADJ BLK 82
2	2	2	- A 3-21000-4	SCR, SHC (10-32x.38) 56 ADJ BL 81
				80
-	REF	-	- B 455749-1	GUARD, WINDOW 79
REF	-	-	- B 679532-1	INSERT, GUARD 78
				77
				76
				75
1	1	1	- A 690603-1	SPRING, ASSIST 74
1	1	1	- A 23030-1	SCR, SHC (6-32x.25 SL) INS DISC 73
1	1	1	- A 458109-1	WASHER, SPECIAL 72
1	1	1	- A 690517-1	SPACER 71
-3	-2	-1	U/M DWG SIZE	PART NO DESCRIPTION ITEM NO

QTY	RECD PER ASSY	LEADMAKER	MECH POST FEED	DESCRIPTION	ITEM NO
-1		BENCH MODEL K	MECH PRE FEED		
-2		BENCH MODEL G	MECH PRE FEED		
1	1	1	- B	22594-8	NUT, HEX (1/2-20) 70
1	1	1	- B	240628-1	PLATE, ADJUSTMENT 69
1	1	1	- B	240626-1	SHAFT, PIVOT 68
1	1	1	- B	240633-1	BUSHING 67
1	1	1	- A	455680-1	LEVER, INTERMEDIATE 66
1	1	1	- B	240629-1	BLOCK, PIVOT 65
1	1	1	- A	240632-2	SCREW, ADJ FEED ROD 64
1	1	1	- B	240659-3	PIN, CAM ROLLER 63
1	1	1	- B	240658-1	ROLLER, CAM 62
1	1	1	- B	454398-2	ROD, FEED 61
1	1	1	- A	454178-1	GUIDE, FEED ROD 60
1	1	1	- C	454220-1	CAP, RAM 59
1	1	1	- D	679670-1	HOUSING 58
					57
1	1	1	- B	690542-3	PAWL, FEED 56
1	1	1	- B	240624-1	PIN, FEED FINGER 55
1	1	1	- B	691499-1	SPRING, FEED FINGER 54
1	1	1	- A	690541-1	HOLDER, FEED FINGER 53
1	1	1	- B	455679-1	LEVER, TERMINAL FEED ARM 52
1	1	1	- A	811242-2	BUMPER, HOLDDOWN 51
1	1	1	- A	690753-1	SPACER, TONKER 50
1	-	-	- B	690602-6	CAM, PRE-FEED 1 5/8 ST 49
-	1	-	- B	690602-5	CAM, PRE-FEED 1 1/8 ST 48
-	-	1	- B	690501-4	CAM, POST-FEED 1 5/8 ST 47
					46
					45
1	1	1	- A	690191-1	PLUG, NYLON 45
1	1	1	- C	455673-1	RAM 44
1	1	1	- A	690125-1	WASHER, LAMINATED 43
1	1	1	- A	690124-1	WASHER, RAM 42
1	1	1	- A	7-21002-9	BOLT, CRIMPER (5/16x1.00) 41
1	1	1	- A	23241-6	BALL, STEEL 40
1	1	1	- A	690170-1	SPRING, COMPRESSION 39
1	1	1	- C	690142-1	DISC, INSULATION 38
1	1	1	- D	354777-1	WIRE DISC, PLASTIC 37
1	1	1	- A	22480-5	WASHER, SPRING 36
1	1	1	- B	690212-1	POST, RAM 35
1	1	1	- B	690786-1	SUPPORT, TERMINAL 34
1	1	1	- D	455675-1	PLATE, BASE 33
1	1	1	- A	690432-3	SCREW, ADJUSTMENT 32
					31
1	1	1	- B	455689-1	BLOCK, STRIP GUIDE ADJ 30
1	1	1	- C	455671-1	PLATE, STRIP GUIDE 29
1	1	1	- C	1-455888-5	SPACER, FRONT SHEAR DEP 28
2	2	2	- A	1-22284-0	SPRING, DRAG 27
1	1	1	- B	690546-1	LEVER, DRAG RELEASE 26
1	1	1	- B	240792-1	DRAG, TERMINAL 25
					24
1	1	1	- A	1-679651-0	GUIDE, STRIP (FRONT) 23
-	-	1	- B	690472-2	STRIPPER 22
1	1	1	- A	4-22284-9	SPRING, FEED RETURN 21
1	1	-	- A	679218-1	STRIPPER WIRE STOP ASSY 20
1	1	-	- B	458949-1	STRIPPER 19
					18
					17
1	1	1	- B	318563-1	GUARD, CHIP, FRONT 16
					15
					14
					13
1	1	1	- A	5-22280-0	SPRING, SHEAR 12
1	1	1	- B	690461-1	STOP, SHEAR 11
1	1	1	- C	690459-1	HOLDER, SHEAR (FRONT) 10
1	1	1	- C	454276-2	SHEAR, FLOAT (FRONT) 9
1	1	1	- C	904717-5	ANVIL 8
1	1	1	- C	2-240641-4	SPACER, DEPRESSOR (REAR) 7
					6
1	1	1	- C	1-455889-4	DEPRESSOR, SHEAR (FRONT) 5
1	1	1	- B	238011-6	SPACER, BLOCK CRIMPER 4
1	1	1	- C	4-683453-3	CRIMPER, INSULATION 3
1	1	1	- C	455888-1	SPACER, CRIMPER 2
1	1	1	- C	1-456404-1	CRIMPER, WIRE 1
-3	-2	-1	U/M DWG SIZE	PART NO DESCRIPTION ITEM NO	

THIS DRAWING IS A CONTROLLED DOCUMENT.

THIS DRAWING IS UNCLASSIFIED - 11 SEP 2001
RELEASED FOR PUBLICATION - 11 SEP 2001
BY AMP INCORPORATED. ALL RIGHTS RESERVED.