

Gallium Arsenide CATV Integrated Amplifier Module

Features

- Specified for 79-, 112- and 132-Channel Loading
- Excellent Distortion Performance
- Built-in Input Diode Protection
- GaAs FET Transistor Technology
- Unconditionally Stable Under All Load Conditions
- RoHS Compliant
- In Tape and Reel. T1 Suffix = 1000 Units per 16 mm, 13 inch Reel.

Applications

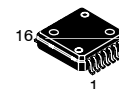
- CATV Systems Operating in the 40 to 870 MHz Frequency Range
- Input Stage Amplifier in Optical Nodes, Line Extenders and Trunk Distribution Amplifiers for CATV Systems
- Output Stage Amplifier on Applications Requiring Low Power Dissipation and High Output Performance
- Driver Amplifier in Linear General Purpose Applications

Description

- 24 Vdc Supply or 12 Vdc Supply with Bias Change, 40 to 870 MHz, CATV Integrated Forward Amplifier Module

MMG1001NT1

**870 MHz
19 dB GAIN
132-CHANNEL
CATV INTEGRATED AMPLIFIER
MODULE**



**CASE 978-03
PFP-16**

Table 1. Maximum Ratings

Rating	Symbol	Value	Unit
RF Voltage Input (Single Tone)	V_{in}	+65	dBmV
DC Supply Voltage 24 V Application 12 V Application	V_{CC}	+26 +14	Vdc
Operating Case Temperature Range	T_C	-20 to +100	°C
Storage Temperature Range	T_{stg}	-40 to +100	°C

Table 2. Thermal Characteristics

Characteristic	Symbol	Value	Unit
Thermal Resistance, Junction to Case	$R_{\theta JC}$	6.6	°C/W

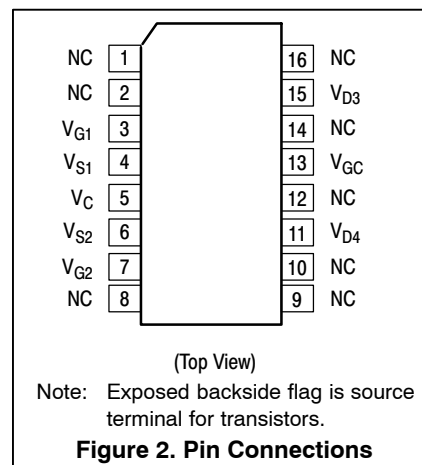
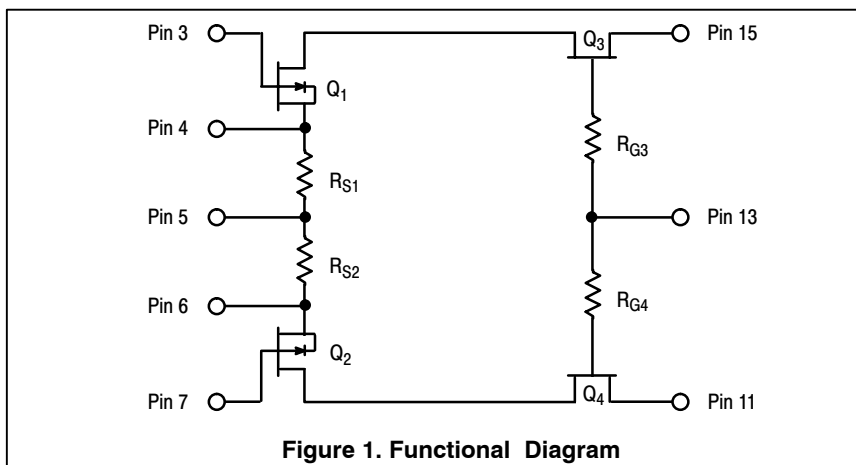


Table 3. ESD Protection Characteristics

Test Conditions	Class
Human Body Model	1 (minimum)
Machine Model	M1 (minimum)
Charge Device Model	C5 (minimum)

Table 4. Moisture Sensitivity Level

Test Methodology	Rating	Package Peak Temperature	Unit
Per JESD 22-A113, IPC/JEDEC J-STD-020	3	260	°C

Table 5. Electrical Characteristics for 24 V Application ($V_{CC} = 24$ Vdc, $T_C = +30^\circ\text{C}$, 75Ω system unless otherwise noted)

Characteristic	Symbol	Min	Typ	Max	Unit	
Frequency Range	BW	40	—	870	MHz	
Power Gain	G_p	—	18	—	dB	
50 MHz		—	19	—		
Slope	S	—	0.6	—	dB	
Gain Flatness (40 - 870 MHz, Peak to Valley)	G_F	—	0.5	—	dB	
Input Return Loss ($Z_o = 75$ Ohms)	IRL	—	21	—	dB	
f = 40 - 160 MHz		—	19	—		
f = 161 - 450 MHz		—	22	—		
Output Return Loss ($Z_o = 75$ Ohms)	ORL	—	22	—	dB	
f = 40 - 400 MHz		—	17	—		
Composite Second Order					dBc	
($V_{out} = +44$ dBmV/ch., Worst Case)	132-Channel FLAT	CSO_{132}	—	-65		-58
($V_{out} = +46$ dBmV/ch., Worst Case)	112-Channel FLAT	CSO_{112}	—	-65		-59
($V_{out} = +48$ dBmV/ch., Worst Case)	79-Channel FLAT	CSO_{79}	—	-71	-62	
Cross Modulation Distortion @ Ch 2					dBc	
($V_{out} = +44$ dBmV/ch., FM = 55 MHz)	132-Channel FLAT	XMD_{132}	—	-64		-52
($V_{out} = +46$ dBmV/ch., FM = 55 MHz)	112-Channel FLAT	XMD_{112}	—	-63		-52
($V_{out} = +48$ dBmV/ch., FM = 55 MHz)	79-Channel FLAT	XMD_{79}	—	-62	-52	
Composite Triple Beat					dBc	
($V_{out} = +44$ dBmV/ch., Worst Case)	132-Channel FLAT	CTB_{132}	—	-63		-56
($V_{out} = +46$ dBmV/ch., Worst Case)	112-Channel FLAT	CTB_{112}	—	-64		-56
($V_{out} = +48$ dBmV/ch., Worst Case)	79-Channel FLAT	CTB_{79}	—	-65	-58	
Noise Figure	NF	—	4	5.0	dB	
50 MHz		—	4	5.0		
870 MHz						
DC Current ($V_{DC} = 24$ V, $T_C = -20^\circ$ to $+100^\circ\text{C}$)	I_{DC}	230	250	265	mA	

(continued)

ARCHIVE INFORMATION

ARCHIVE INFORMATION

Table 5. Electrical Characteristics for 12 V Application ($V_{CC} = 12 \text{ Vdc}$, $T_C = +30^\circ\text{C}$, 75Ω system unless otherwise noted)
(continued)

Characteristic	Symbol	Min	Typ	Max	Unit
Frequency Range	BW	40	—	870	MHz
Power Gain	G_p	—	18	—	dB
50 MHz 870 MHz		—	19	—	
Slope	S	—	0.6	—	dB
Gain Flatness (40 - 870 MHz, Peak to Valley)	G_F	—	0.5	—	dB
Input Return Loss ($Z_0 = 75 \text{ Ohms}$)	IRL	—	21	—	dB
f = 40 - 160 MHz		—	19	—	
f = 161 - 450 MHz		—	19	—	
f = 451 - 870 MHz		—	19	—	
Output Return Loss ($Z_0 = 75 \text{ Ohms}$)	ORL	—	19	—	dB
f = 40 - 400 MHz		—	17	—	
f = 401 - 750 MHz		—	15	—	
f = 751 - 870 MHz		—	15	—	
Composite Second Order ($V_{out} = +42 \text{ dBmV/ch.}$, Worst Case)	CSO_{112} CSO_{79}	—	-65	—	dBc
($V_{out} = +42 \text{ dBmV/ch.}$, Worst Case)		112-Channel FLAT 79-Channel FLAT	—	-71	
Cross Modulation Distortion @ Ch 2 ($V_{out} = +42 \text{ dBmV/ch.}$, FM = 55 MHz)	XMD_{112} XMD_{79}	—	-63	—	dBc
($V_{out} = +42 \text{ dBmV/ch.}$, FM = 55 MHz)		112-Channel FLAT 79-Channel FLAT	—	-62	
Composite Triple Beat ($V_{out} = +42 \text{ dBmV/ch.}$, Worst Case)	CTB_{112} CTB_{79}	—	-64	—	dBc
($V_{out} = +42 \text{ dBmV/ch.}$, Worst Case)		112-Channel FLAT 79-Channel FLAT	—	-65	
Noise Figure	NF	—	4	5.0	dB
50 MHz 870 MHz		—	4	5.0	
DC Current ($V_{DC} = 12 \text{ V}$, $T_C = -20^\circ$ to $+100^\circ\text{C}$)	I_{DC}	190	210	225	mA

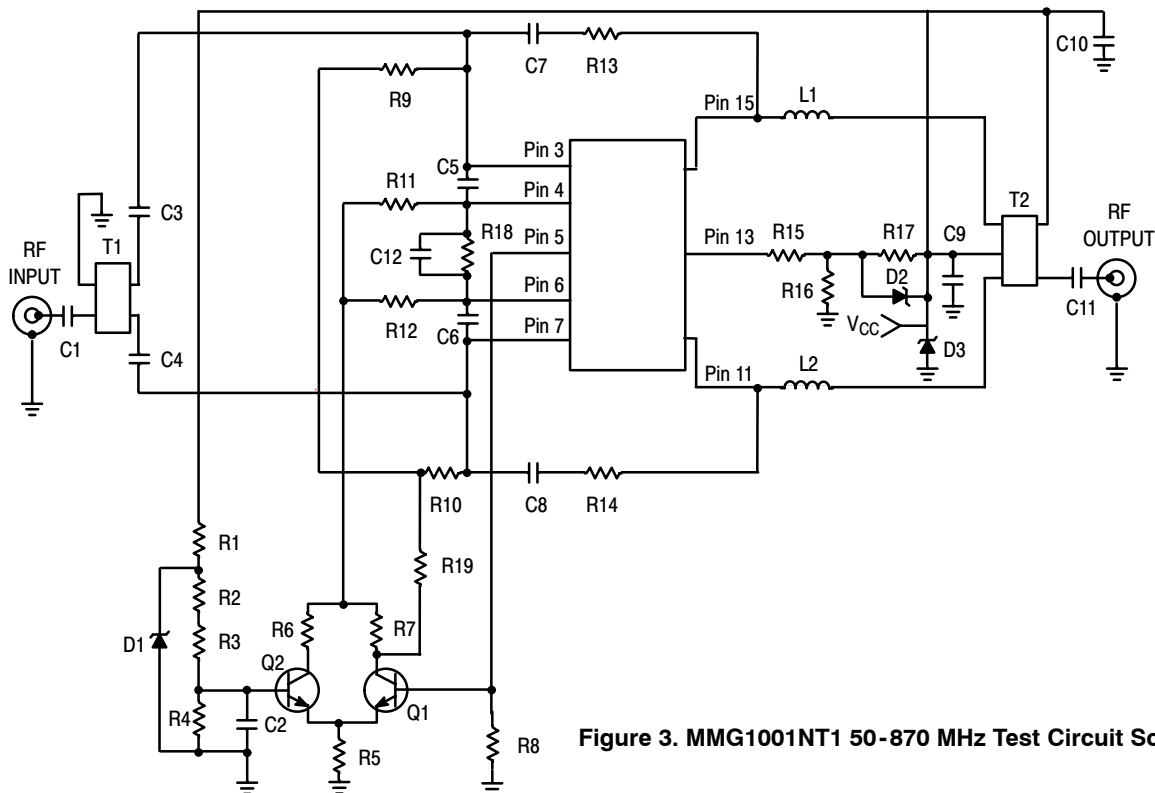
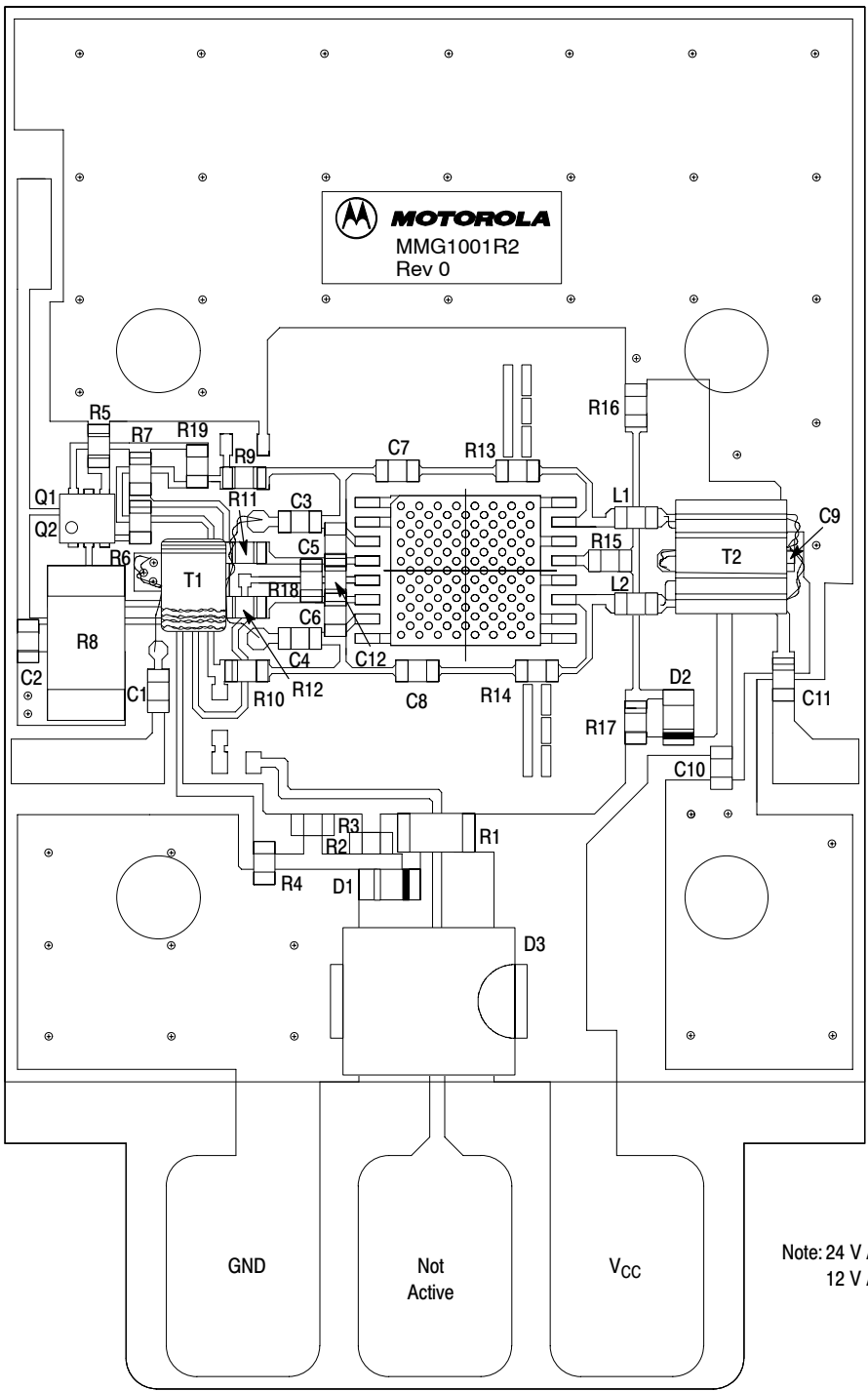


Figure 3. MMG1001NT1 50-870 MHz Test Circuit Schematic

Table 6. MMG1001NT1 50-870 MHz Test Circuit Component Designations and Values

Designation	24 V Application		12 V Application		Manufacturer
	Description	Part Number	Description	Part Number	
C1, C7, C8, C11	220 pF Chip Capacitors	C0603C221J5RAC	220 pF Chip Capacitors	C0603C221J5RAC	Kemet
C2, C3, C4, C9, C10	0.01 μ F Chip Capacitors	C0603C103J5RAC	0.01 μ F Chip Capacitors	C0603C103J5RAC	Kemet
C5, C6	1.8 pF Chip Capacitors	06035J1R8BS	1.8 pF Chip Capacitors	06035J1R8BS	AVX
C12	5.6 pF Chip Capacitor	06035J5R6BS	5.6 pF Chip Capacitor	06035J5R6BS	AVX
D1	5.1 V Zener Diode	MM3Z5V1T1G	5.1 V Zener Diode	MM3Z5V1T1G	ON Semi
D2	27 V Zener Diode	MM3Z27VT1G	27 V Zener Diode	MM3Z27VT1G	ON Semi
D3	Transient Voltage Suppressor	1.5SMC27AT3G	Transient Voltage Suppressor	1.5SMC27AT3G	ON Semi
L1, L2	22 nH Chip Inductors	HK160822NJ - T	22 nH Chip Inductors	HK160822NJ - T	Taiyo Yuden
Q1, Q2	Dual Transistors Package	MBT3904DW1T1G	Dual Transistors Package	MBT3904DW1T1G	ON Semi
R1	2.2 k Ω , 1/4 W Chip Resistor	CRCW12062201FKTA	820 Ω , 1/4 W Chip Resistor	CRCW12068200FKTA	Vishay
R2	560 Ω , 1/10 W Chip Resistor	CRCW06035600FKTA	560 Ω , 1/10 W Chip Resistor	CRCW06035600FKTA	Vishay
R3	82 Ω , 1/10 W Chip Resistor	CRCW06030820FKTA	40 Ω , 1/10 W Chip Resistor	CRCW06030400FKTA	Vishay
R4	820 Ω , 1/10 W Chip Resistor	CRCW06038200FKTA	150 Ω , 1/10 W Chip Resistor	CRCW06031500FKTA	Vishay
R5	820 Ω , 1/10 W Chip Resistor	CRCW06038200FKTA	100 Ω , 1/10 W Chip Resistor	CRCW06031000FKTA	Vishay
R6	120 Ω , 1/10 W Chip Resistor	CRCW06031200FKTA	120 Ω , 1/10 W Chip Resistor	CRCW06031200FKTA	Vishay
R7	1.5 k Ω , 1/10 W Chip Resistor	CRCW06031501FKTA	1.5 k Ω , 1/10 W Chip Resistor	CRCW06031501FKTA	Vishay
R8	12 Ω , 1 W Chip Resistor	CRCW25120120FKTA	4.8 Ω , 1 W Chip Resistor	CRCW251204R8FKTA	Vishay
R9, R10, R15	470 Ω , 1/10 W Chip Resistors	CRCW06034700FKTA	470 Ω , 1/10 W Chip Resistors	CRCW06034700FKTA	Vishay
R11, R12	18 Ω , 1/10 W Chip Resistors	CRCW06030180FKTA	18 Ω , 1/10 W Chip Resistors	CRCW06030180FKTA	Vishay
R13, R14	910 Ω , 1/10 W Chip Resistors	CRCW06039100FKTA	910 Ω , 1/10 W Chip Resistors	CRCW06039100FKTA	Vishay
R16	2 k Ω , 1/10 W Chip Resistor	CRCW06032001FKTA	2.7 k Ω , 1/10 W Chip Resistor	CRCW06032701FKTA	Vishay
R17	6.2 k Ω , 1/10 W Chip Resistor	CRCW06036201FKTA	6.2 k Ω , 1/10 W Chip Resistor	CRCW06036201FKTA	Vishay
R18	15 Ω , 1/10 W Chip Resistor	CRCW06030150FKTA	15 Ω , 1/10 W Chip Resistor	CRCW06030150FKTA	Vishay
R19	0 Ω , 1/10 W Chip Resistor	CRCW06030000FKTA	0 Ω , 1/10 W Chip Resistor	CRCW06030000FKTA	Vishay
T1	Input Transformer	None	Input Transformer	None	None
T2	Output Transformer	None	Output Transformer	None	None
PCB	FR4, 62 mil, $\epsilon_r = 4.81$	None	FR4, 62 mil, $\epsilon_r = 4.81$	None	None

MMG1001NT1



Freescale has begun the transition of marking Printed Circuit Boards (PCBs) with the Freescale Semiconductor signature/logo. PCBs may have either Motorola or Freescale markings during the transition period. These changes will have no impact on form, fit or function of the current product.

Figure 4. MMG1001NT1 50-870 MHz Test Circuit Component Layout

TYPICAL CHARACTERISTICS FOR 24 V APPLICATION

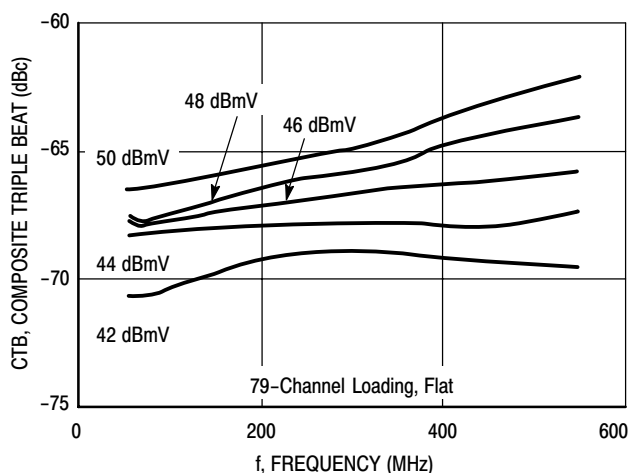


Figure 5. Composite Triple Beat versus Frequency

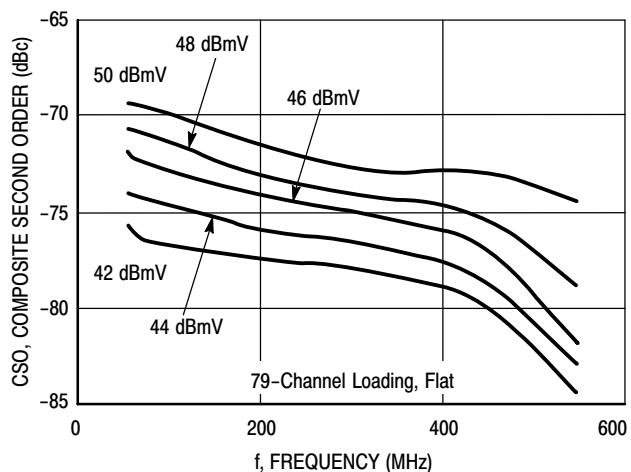


Figure 6. Composite Second Order versus Frequency

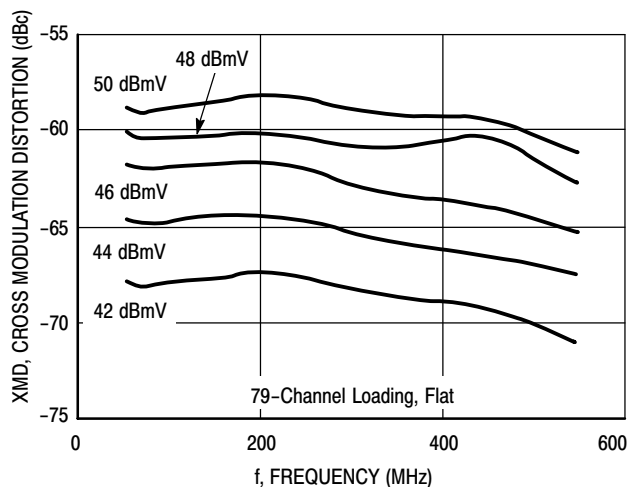
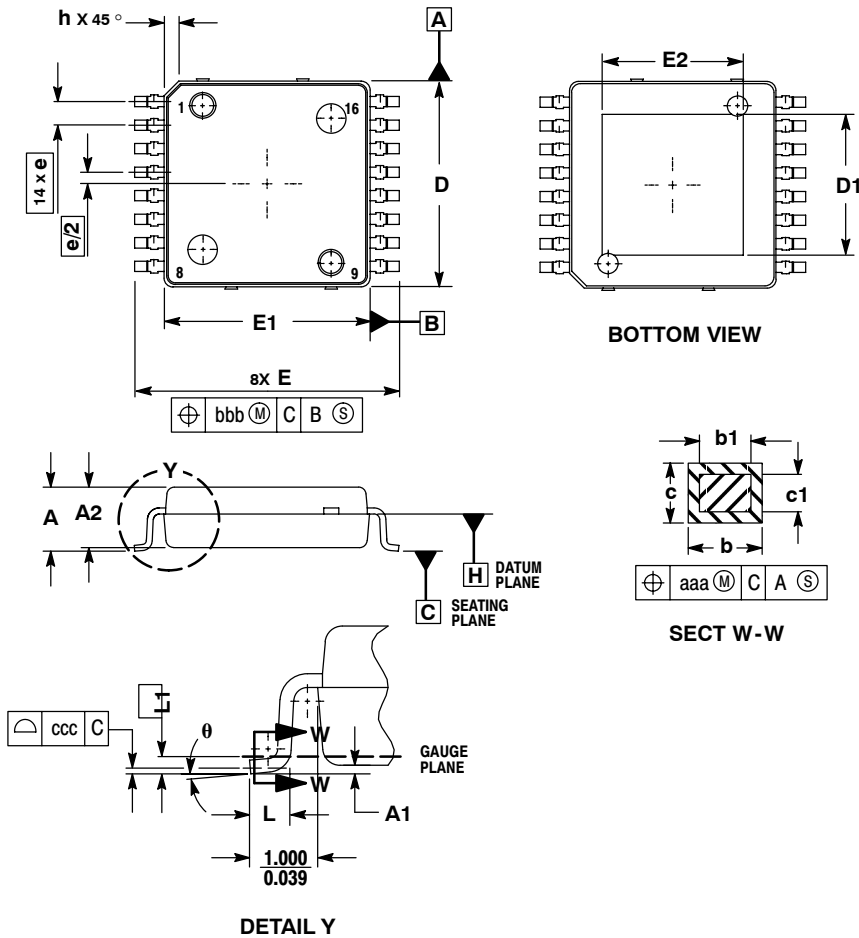


Figure 7. Cross Modulation Distortion versus Frequency

ARCHIVE INFORMATION

ARCHIVE INFORMATION

PACKAGE DIMENSIONS



NOTES:

1. CONTROLLING DIMENSION: MILLIMETER.
2. DIMENSIONS AND TOLERANCES PER ASME Y14.5M, 1994.
3. DATUM PLANE -H- IS LOCATED AT BOTTOM OF LEAD AND IS COINCIDENT WITH THE LEAD WHERE THE LEAD EXITS THE PLASTIC BODY AT THE BOTTOM OF THE PARTING LINE.
4. DIMENSIONS D AND E1 DO NOT INCLUDE MOLD PROTRUSION. ALLOWABLE PROTRUSION IS 0.250 PER SIDE. DIMENSIONS D AND E1 DO INCLUDE MOLD MISMATCH AND ARE DETERMINED AT DATUM PLANE -H-.
5. DIMENSION b DOES NOT INCLUDE DAMBAR PROTRUSION. ALLOWABLE DAMBAR PROTRUSION IS 0.127 TOTAL IN EXCESS OF THE b DIMENSION AT MAXIMUM MATERIAL CONDITION.
6. DATUMS -A- AND -B- TO BE DETERMINED AT DATUM PLANE -H-.

DIM	MILLIMETERS	
	MIN	MAX
A	2.000	2.300
A1	0.025	0.100
A2	1.950	2.100
D	6.950	7.100
D1	4.372	5.180
E	8.850	9.150
E1	6.950	7.100
E2	4.372	5.180
L	0.466	0.720
L1	0.250 BSC	
b	0.300	0.432
b1	0.300	0.375
c	0.180	0.279
c1	0.180	0.230
e	0.800 BSC	
h	---	0.600
θ	0°	7°
aaa	0.200	
bbb	0.200	
ccc	0.100	

**CASE 978-03
ISSUE C
PFP-16**

REVISION HISTORY

The following table summarizes revisions to this document.

Revision	Date	Description
7	Oct. 2006	<ul style="list-style-type: none"> • Replaced "N suffix indicates 260°C reflow capable" bullet with RoHS Compliant, p. 1
8	Mar. 2007	<ul style="list-style-type: none"> • Updated Part Numbers in Table 6, Component Designations and Values, to RoHS compliant part numbers and added Manufacturer column, p. 4

ARCHIVE INFORMATION

ARCHIVE INFORMATION

How to Reach Us:**Home Page:**

www.freescale.com

Web Support:

<http://www.freescale.com/support>

USA/Europe or Locations Not Listed:

Freescale Semiconductor, Inc.
 Technical Information Center, EL516
 2100 East Elliot Road
 Tempe, Arizona 85284
 +1-800-521-6274 or +1-480-768-2130
www.freescale.com/support

Europe, Middle East, and Africa:

Freescale Halbleiter Deutschland GmbH
 Technical Information Center
 Schatzbogen 7
 81829 Muenchen, Germany
 +44 1296 380 456 (English)
 +46 8 52200080 (English)
 +49 89 92103 559 (German)
 +33 1 69 35 48 48 (French)
www.freescale.com/support

Japan:

Freescale Semiconductor Japan Ltd.
 Headquarters
 ARCO Tower 15F
 1-8-1, Shimo-Meguro, Meguro-ku,
 Tokyo 153-0064
 Japan
 0120 191014 or +81 3 5437 9125
support.japan@freescale.com

Asia/Pacific:

Freescale Semiconductor Hong Kong Ltd.
 Technical Information Center
 2 Dai King Street
 Tai Po Industrial Estate
 Tai Po, N.T., Hong Kong
 +800 2666 8080
support.asia@freescale.com

For Literature Requests Only:

Freescale Semiconductor Literature Distribution Center
 P.O. Box 5405
 Denver, Colorado 80217
 1-800-441-2447 or 303-675-2140
 Fax: 303-675-2150
LDCForFreescaleSemiconductor@hibbertgroup.com

Information in this document is provided solely to enable system and software implementers to use Freescale Semiconductor products. There are no express or implied copyright licenses granted hereunder to design or fabricate any integrated circuits or integrated circuits based on the information in this document.

Freescale Semiconductor reserves the right to make changes without further notice to any products herein. Freescale Semiconductor makes no warranty, representation or guarantee regarding the suitability of its products for any particular purpose, nor does Freescale Semiconductor assume any liability arising out of the application or use of any product or circuit, and specifically disclaims any and all liability, including without limitation consequential or incidental damages. "Typical" parameters that may be provided in Freescale Semiconductor data sheets and/or specifications can and do vary in different applications and actual performance may vary over time. All operating parameters, including "Typicals", must be validated for each customer application by customer's technical experts. Freescale Semiconductor does not convey any license under its patent rights nor the rights of others. Freescale Semiconductor products are not designed, intended, or authorized for use as components in systems intended for surgical implant into the body, or other applications intended to support or sustain life, or for any other application in which the failure of the Freescale Semiconductor product could create a situation where personal injury or death may occur. Should Buyer purchase or use Freescale Semiconductor products for any such unintended or unauthorized application, Buyer shall indemnify and hold Freescale Semiconductor and its officers, employees, subsidiaries, affiliates, and distributors harmless against all claims, costs, damages, and expenses, and reasonable attorney fees arising out of, directly or indirectly, any claim of personal injury or death associated with such unintended or unauthorized use, even if such claim alleges that Freescale Semiconductor was negligent regarding the design or manufacture of the part.

Freescale™ and the Freescale logo are trademarks of Freescale Semiconductor, Inc. All other product or service names are the property of their respective owners.
 © Freescale Semiconductor, Inc. 2007-2008. All rights reserved.

RoHS-compliant and/or Pb-free versions of Freescale products have the functionality and electrical characteristics of their non-RoHS-compliant and/or non-Pb-free counterparts. For further information, see <http://www.freescale.com> or contact your Freescale sales representative.

For information on Freescale's Environmental Products program, go to <http://www.freescale.com/epp>.