

ISDN Subscriber Access Controller for Terminal Applications PSB 2186

The PSB 2186 ISAC-S TE is an IOM-2 terminal specific version of the ISAC-S PEB 2086. It implements the four-wire S₀ interface used to link voice/data terminals to an ISDN. The component switches B and D channels between the S₀ and the ISDN Oriented Modular IOM-2 interface. The HDLC packets of the ISDN D channel are handled by the ISAC-S TE which interfaces them to the associated microcontroller.

1. Potential application

- Voice/Data Terminals
- ISDN PC-Cards/Terminal Adapters
- Videophone
- Video PC-Cards/Conferencing Systems
- G4 FAX
- Tele Control Systems
- Cash Register Internetworks
- Point-of-Sales Terminals

Customers

- Telephone Manufacturers
- Data Terminal Manufacturers (PC-cards, terminal adaptors)
- Video System Manufacturers
- Data Networking / Data Communication Manufacturers

2. Features:

- IOM-2 terminal specific version of the PEB 2086 (downward pin and SW compatibility)
- Full duplex 2B+D So interface transceiver according to CCITT I.430
- Conversion of the frame structure between the S/T interface and IOM-2
- D-Channel access control; support of LAPD protocol
- FIFO buffer (2 x 64 bytes) for efficient transfer of D-channel packets
- 8-bit microprocessor interface, multiplexed or non-multiplexed
- Serial interface: IOM-2 interface including bit clock and strobe signal
- Implementation of IOM-2 MONITOR and C/I-channel protocol to control peripheral devices

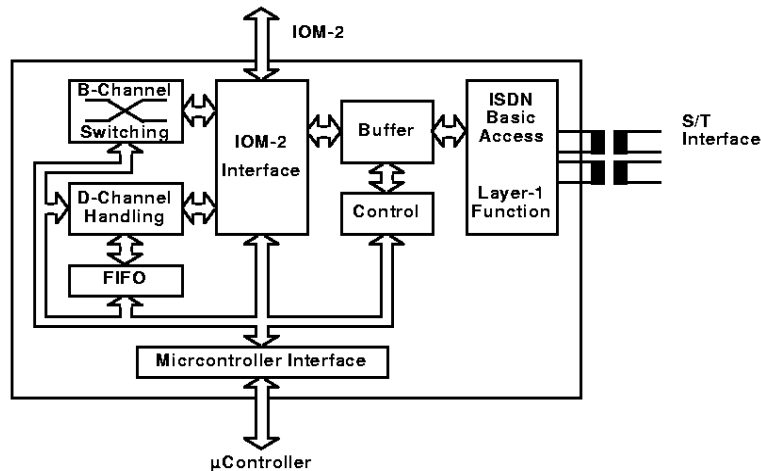
3. Packing

Type	Ordering Code	Package
PSB 2186 V1.1 (P)	Q67100-H6389	P-DIP-40
PSB 2186 V1.1 (N)	Q67100-H6390	P-LCC-44
PSB 2186 V1.1 (H)	Q67101-H6412	P-MQFP-64
PSB 2186 V1.1 (F)	Q67107-H6778	P-TQFP-64

4. Product status

Product	Step	Status	Changes
PSB 2186 (P,N,H)	V1.1	Prod. Delivery Release	
PSB 2186 (F)	V1.1	ES available	

5. Diagram



6. Documentation (Please contact our sales office for details)

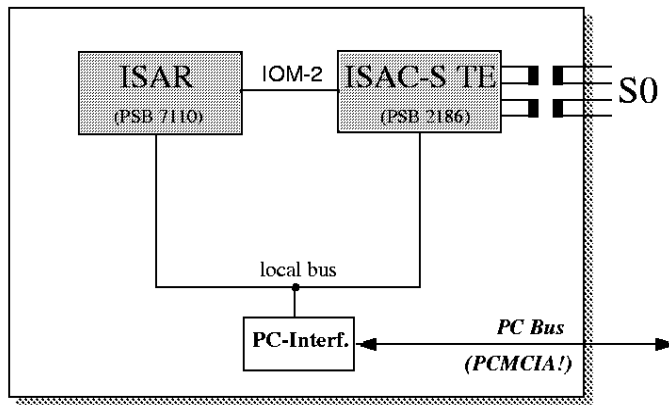
	<u>Date of issue/version</u>	<u>Type of material</u>
User's Manual	10/94	Booklet (B115-H6694-X-X-7600)

7. Development and support tools

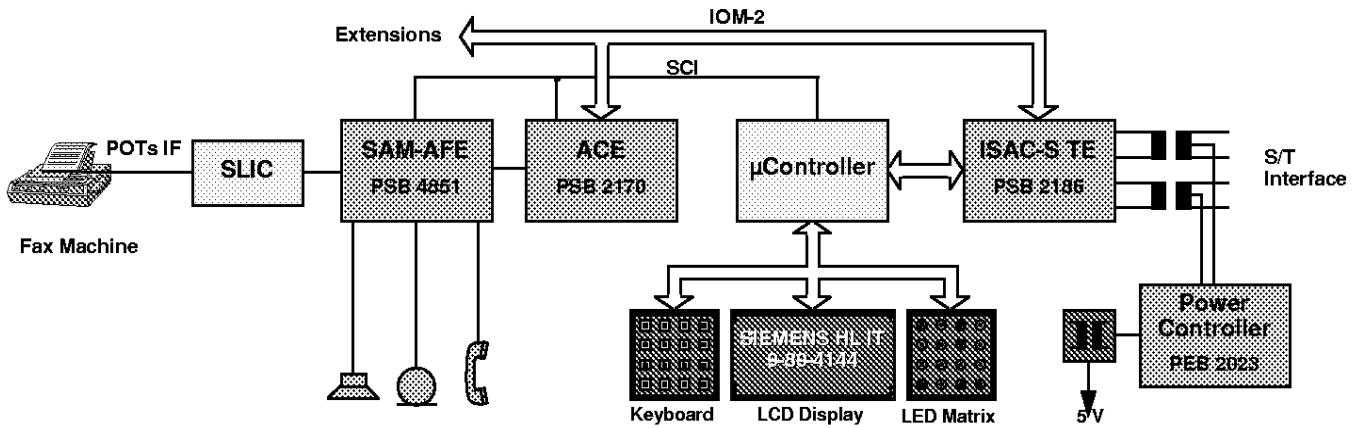
	<u>Availability</u>	<u>Ordering number</u>
SIPB5100_1 S-Access Module (with PSB 2186)	available	Q67100-H6598
SIPB5000 Mainboard	available	Q67100-H8647

8. Applications

- ISDN PC-Card with FAX capability



- ISDN Telephone with Full-Duplex Echo Cancellation



- ISDN Videophone

