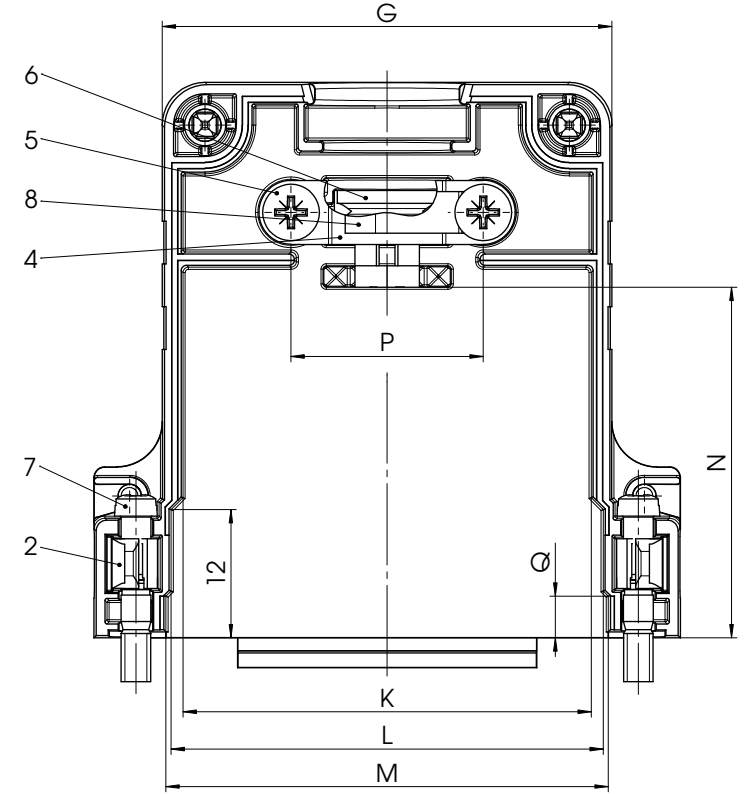
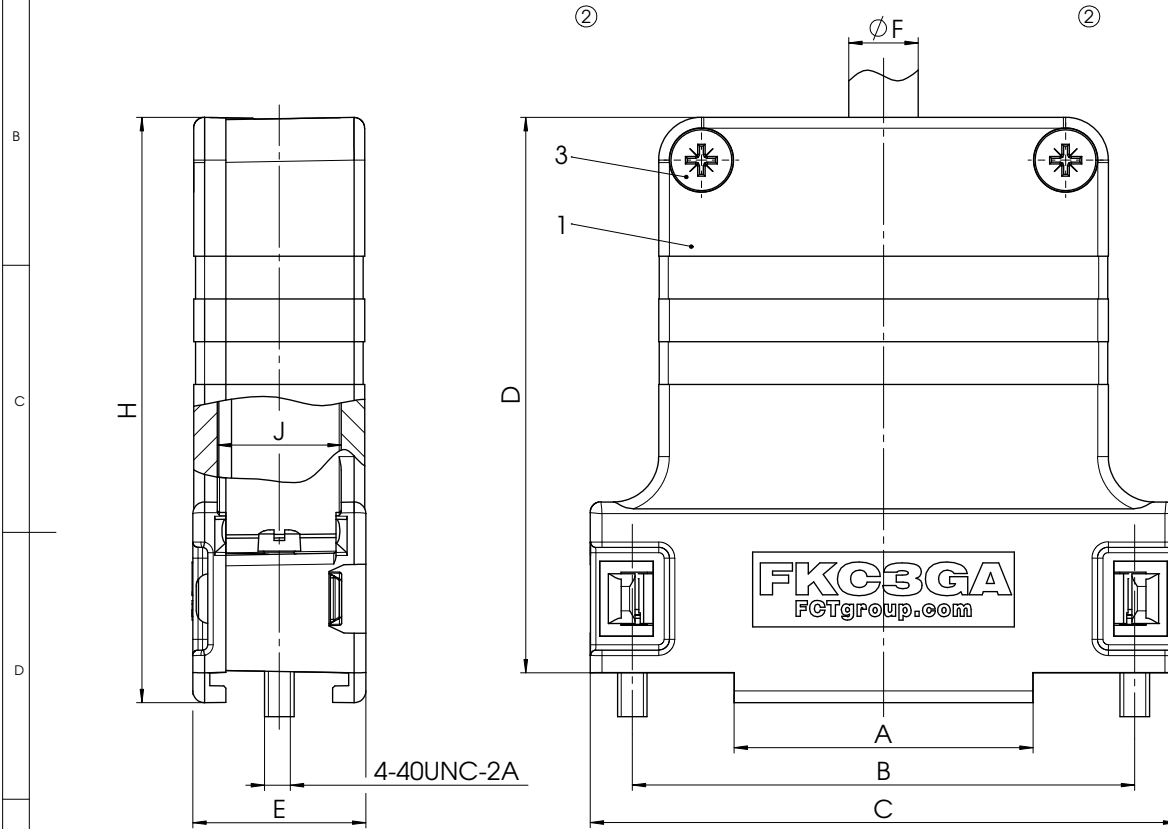


Order No.	Shell Size / for No. of Contacts	A ±0.3	B ±0.1	C ±0.3	D ±0.3	E ±0.3	∅F min - max	G ±0.3	H ±0.3	J ±0.3	K ±0.3	L ±0.3	M ±0.3	N ±0.5	P ±0.3	Q
FKC1GA	1 / 9	10	25	31.8	39.2	16.7	4 - 11	20	41.6	13.2	17	19	20	25.3	14	3.9
FKC2GA	2 / 15	16	33.3	41.2	45	16.2	4 - 11	28.4	47.8	11.6	24.8	26.9	27.9	26.3	18	3.9
FKC3GA	3 / 25	28	47	54.9	52	16.2	4 - 12	42.1	54.8	11.6	38.2	40.5	41.4	32.8	18	3.9
FKC4GA	4 / 37	44.4	63.5	71.4	55	18.9	6 - 13	58.6	57.8	12.1	55	57.2	58.1	38.4	21	3.9
FKC5GA	5 / 50	42	61.1	69	55	19.5	6 - 14	56.2	57.8	15	52.6	54.7	55.7	40.2	21	4.1

∅F = Cable diameter

view of the hoods without lid



No.	St.	Part	Type	Description/Material	Surface plating/Colour/Class
8	1	Contact spring	Spring steel		blank
7	2	Locking screw	FVS1/5-K1163 4-40 / Steel		nickel plated
6	1	Strain relief	Polyester		nickel plated
5	2	Cable clamp screw	Case hardened steel		zinc plated
4	1	Cable clamp	Steel		tin plated
3	2	Shell screw	Steel		zinc plated
2	2	Catch spring	Polyester		black
1	1	Hood	FKC1-5GA / Polyester		nickel plated

① max. torque are 40 Ncm
Hood is snapped together
Part-No. 3, 4, 5, 6 and 8 not mounted



Measurement without tolerance acc. to ISO 2768-m

SCALE 2:1

TITLE

NAME / DATE
DRAWN Gabriele.Wagner 28-04-2008
CHECKED Gabriele.Wagner 02-07-2008

Plastic hood



DWG.NO.

FKC1-5GA

REV.

2