

**AMP**AMP INCORPORATED  
Harrisburg, Pa. 17105**AMP ★ EXTRACTION TOOL 91074-1  
FOR SIZES 5 AND 9 COAXIAL CONTACTS  
USED IN ARINC 404 AND 600 CONNECTORS**

Instruction Sheet

**IS 7542**

RELEASED 2-17-84

REDUCED FOR PACKAGING

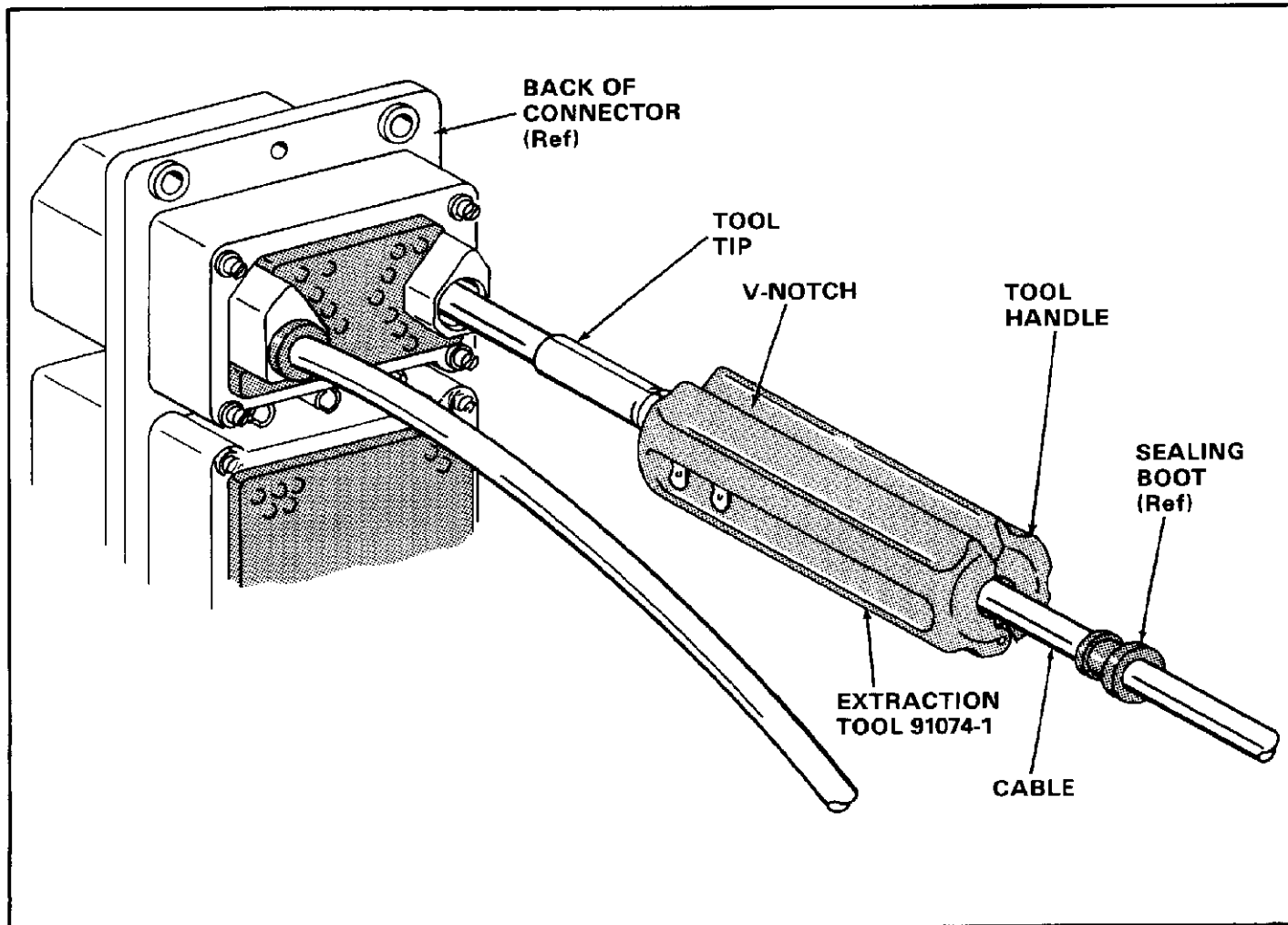


Fig. 1

**1. INTRODUCTION**

This instruction sheet (IS) covers AMP Extraction Tool 91074-1, which is used to remove Size 5 and Size 9 coaxial contacts from ARINC 404 and 600 connectors. Read these instructions thoroughly before removing any contacts.

**NOTE**

*All dimensions on this sheet are in inches.*

**2. DESCRIPTION (Figure 1)**

The tool tip is inserted into the rear of the contact cavity to release the locking mechanism holding the contact in place. The handle is hinged lengthwise to pivot open to allow the cable to enter. Two springs hold the handle halves closed.

**3. EXTRACTION PROCEDURE**

1. If the contact to be removed is sealed with a sealing boot, slide the boot back over the cable

at least 3 1/4 in. so that it will not interfere with the extraction. Do not cut or otherwise damage the boot.

2. Place the cable over the V-notch of the tool handle; then, press the cable into the notch. The handle and tool tip will spread open to allow the cable to enter. Make sure the cable fully seats in the handle and tip.

3. Insert the tool tip into the contact cavity until it bottoms.

4. Maintain a slight forward pressure on the tool handle and pull back on the cable to release the contact.

5. Pull the cable, contact, and tool out from the back of the connector.

6. Pull the tool handle open, and remove the cable from the tool.

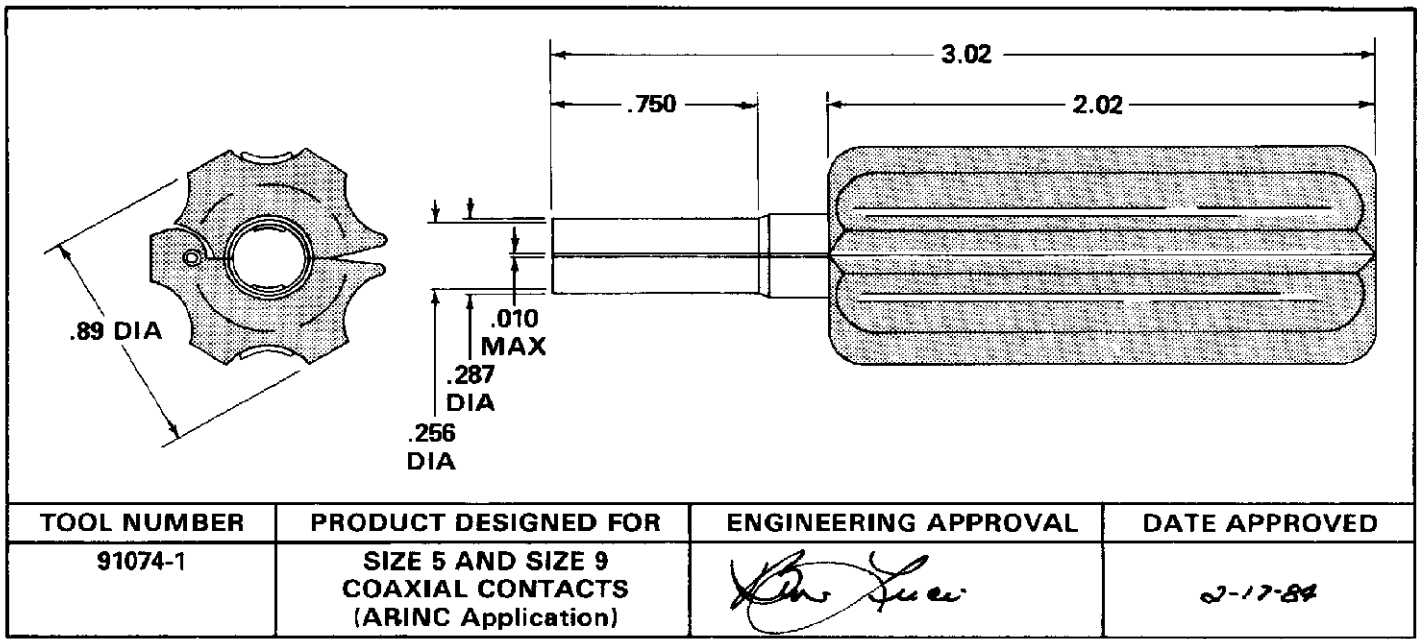


Fig. 2

**4. TOOL CERTIFICATION**

The extraction tool should be certified with the information provided in Figure 2. We recommend that you inspect the tool immediately upon its arrival at your factory and at regularly scheduled intervals to ensure the tool has not been damaged.

Additional tools can be purchased from

AMP Incorporated  
 P O Box 3608  
 Harrisburg, PA 17105