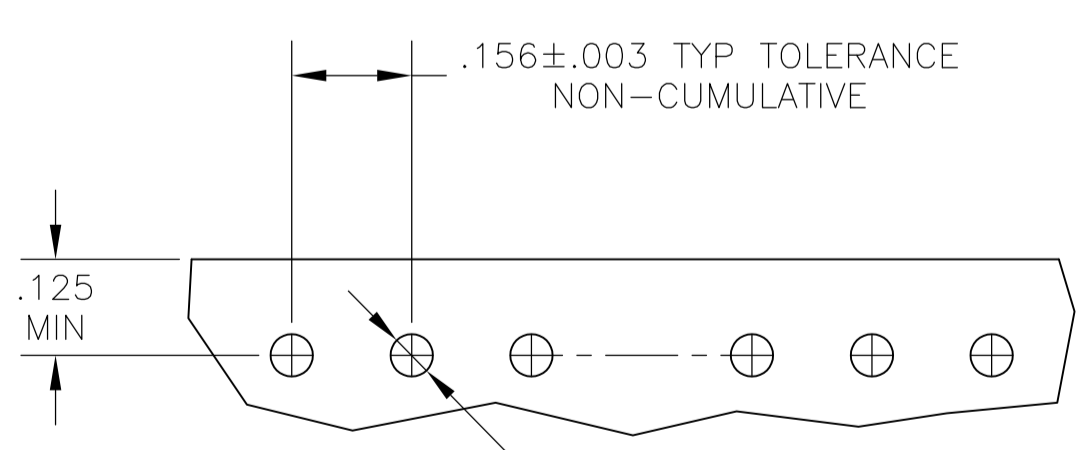
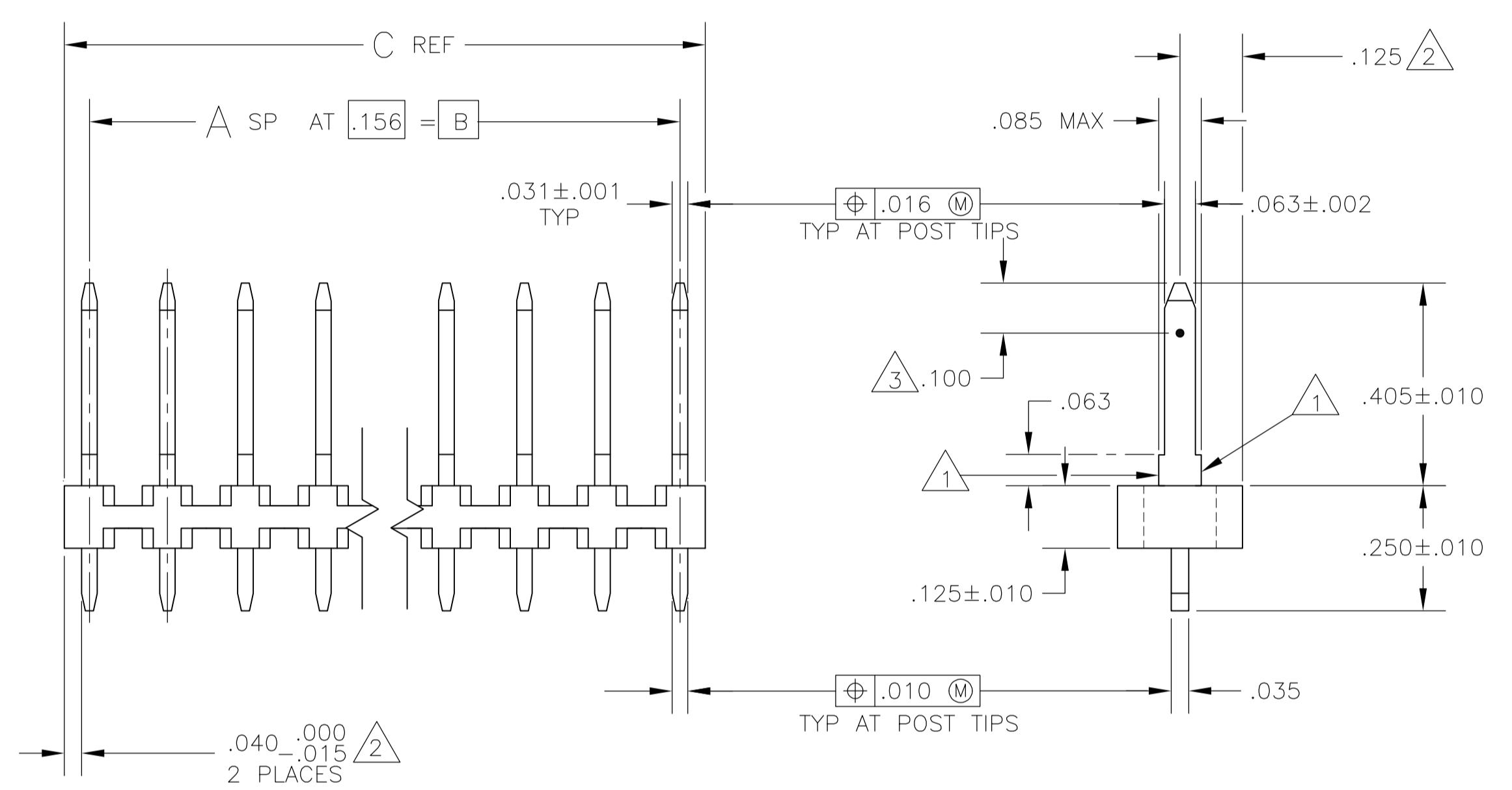
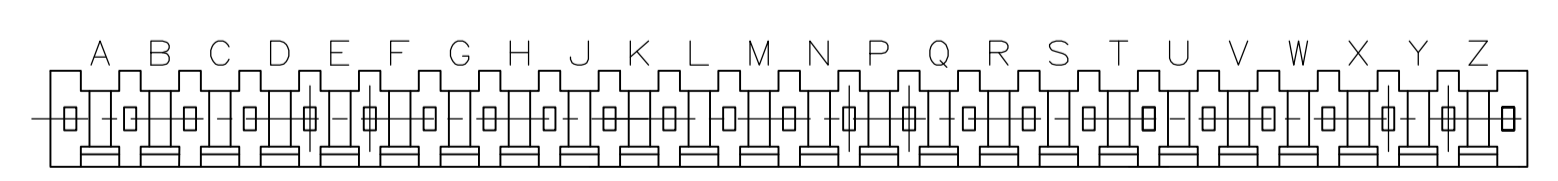


- ① THESE SURFACES WILL NOT BE PLATED
- ② THE NOTED DIMENSIONS APPLY AT THE INTERSECTION OF THE POST AND THE HOUSING
- ③ POINT OF MEASUREMENT FOR PLATING THICKNESS
- ④ OBSOLETE PARTS: OBSOLETE CIS STREAMLINING PER D.RENAUD/D.SINISI
- ⑤ PRELIMINARY PART - NOT RELEASED FOR PRODUCTION



RECOMMENDED HOLE LAYOUT



KEYWAY LOCATIONS (REF-SEE TABLE)
(MATING LENGTH OF POST ON NEAR SIDE)
SCALE: 2:1

KEYWAY LOCATIONS	NO OF KEYWAY	C	B	A	NO OF POSN	ASSEMBLY PART NUMBER	
⑤	NONE	NONE	1.827	1.716	11	12	3-87633-7
OBSOLETE	NONE	NONE	5.415	5.304	34	35	3-87633-6
OBSOLETE	NONE	NONE	5.259	5.148	33	34	3-87633-5
OBSOLETE	NONE	NONE	5.103	4.992	32	33	3-87633-4
OBSOLETE	NONE	NONE	4.947	4.836	31	32	3-87633-3
OBSOLETE	NONE	NONE	4.791	4.680	30	31	3-87633-2
OBSOLETE	NONE	NONE	4.635	4.524	29	30	3-87633-1
OBSOLETE	NONE	NONE	4.479	4.368	28	29	3-87633-0
OBSOLETE	NONE	NONE	4.323	4.212	27	28	2-87633-9
OBSOLETE	NONE	NONE	4.167	4.056	26	27	2-87633-8
OBSOLETE	NONE	NONE	4.011	3.900	25	26	2-87633-7
	NONE	NONE	1.111	-	-	1	2-87633-6
OBSOLETE	A,C,E,H,K,M,Q,S,U,W,Y	11	3.855	3.744	24	25	2-87633-5
OBSOLETE	A,C,E,G,J,L,N,Q,S,U,W,Y	12	3.699	3.588	23	24	2-87633-4
④	A,D,G,K,N,R,U,X	8	3.543	3.432	22	23	2-87633-3
④	A,C,E,G,J,L,N,Q,S,U,W	11	3.387	3.276	21	22	2-87633-2
④	A,D,G,K,N,R,U	7	3.231	3.120	20	21	2-87247-1
④	A,C,E,G,J,L,N,Q,S,U	10	3.075	2.964	19	20	2-87633-0
	B,D,F,J,L,N,Q,S	8	2.919	2.808	18	19	1-87633-9
	A,D,F,J,M,P,S	7	2.763	2.652	17	18	1-87633-8
OBSOLETE	A,D,G,K,N,R	6	2.607	2.496	16	17	1-87633-7
④	A,C,E,G,J,L,N,Q	8	2.451	2.340	15	16	1-87633-6
OBSOLETE	A,D,G,K,N	5	2.295	2.184	14	15	1-87633-5
OBSOLETE	A,C,E,G,J,L,N	7	2.139	2.028	13	14	1-87633-4
④	A,D,J,M	4	1.983	1.872	12	13	1-87633-3
④	A,C,E,G,J,L	6	1.827	1.716	11	12	1-87633-2
④	A,D,G,K	4	1.671	1.560	10	11	1-87633-1
④	A,C,E,G,J	5	1.515	1.404	9	10	1-87633-0
	A,D,G	3	1.359	1.248	8	9	87633-9
④	A,C,E,G	4	1.203	1.092	7	8	87633-8
④	A,C,E	3	1.047	.936	6	7	87633-7
	A,C,E	3	.891	.780	5	6	87633-6
	A,D	2	.735	.624	4	5	87633-5
	A,C	2	.579	.468	3	4	87633-4
	A	1	.423	.312	2	3	87633-3
④	A	1	.267	.156	1	2	87633-2

THIS DRAWING IS A CONTROLLED DOCUMENT.		DIN L A MAYER 07JAN87		TE Connectivity	
DIMENSIONS: INCHES		TOLERANCES UNLESS OTHERWISE SPECIFIED:			
0 PLC ± - 1 PLC ± - 2 PLC ± - 3 PLC ± .005 4 PLC ± - ANGLES ± -		000015 GOLD IN CONTACT AREA GOLD FLASH ON REMAINDER OF POST ALL OVER 000050 GOLD		APVD F HUBBEN 11FEB87 NAME F HUBBEN PRODUCT SPEC 108-25016 APPLICATION SPEC	
MATERIAL: HOUSING - FLAME RETARDANT THERMOPLASTIC, COLOR-BLACK, POSTS - BRASS		FINISH		SIZE: A1 CAGE CODE: - DRAWING NO: 87633 WEIGHT: - CUSTOMER DRAWING	
		SCALE: 4:1		SHEET 1 OF 1 REV 12	