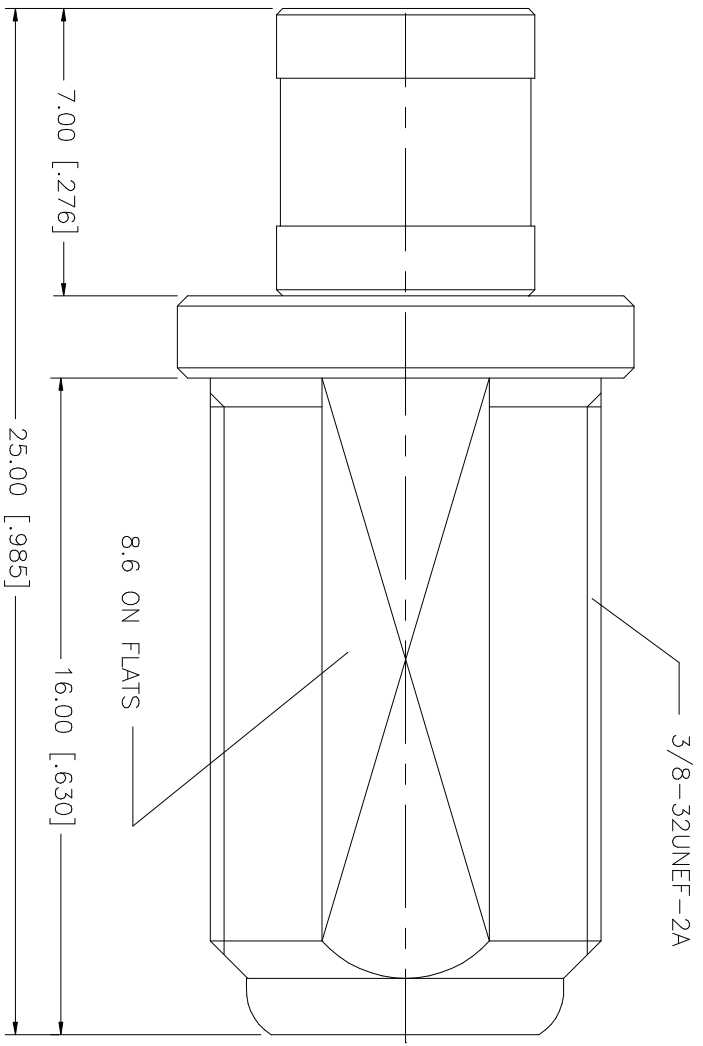


REV.	DATE	DESCRIPTION
NC	04/05/06	INITIAL RELEASE



NO.	DESCRIPTION	MATERIAL	FINISH	QTY	UNLESS OTHERWISE SPECIFIED DIMENSIONS ARE IN INCHES AND FOR CUSTOMER REFERENCE ONLY. TOLERANCES FOR MILLIMETERS ARE:	APPROVALS	DATE	DWG. NO.	REV.	SIZE	SCALE	
8					0.5 - 8mm ± 0.20mm	<p>UNLESS OTHERWISE SPECIFIED DIMENSIONS ARE IN INCHES AND FOR CUSTOMER REFERENCE ONLY. TOLERANCES FOR MILLIMETERS ARE:</p> <p>0.5 - 8mm ± 0.20mm 8 - 30mm ± 0.40mm 30 - 120mm ± 0.50mm</p> <p>UNLESS OTHERWISE SPECIFIED DIMENSIONS ARE IN INCHES AND FOR CUSTOMER REFERENCE ONLY. TOLERANCES FOR INCHES ARE:</p> <p>.020 - .315 = ± 0.007" .315 - 1.180 = ± 0.015" 1.180 - 4.724 = ± 0.020"</p>						
7					8 - 30mm ± 0.40mm		DRAWN	04/05/06	242223.DWG	NC	A	NA
6					30 - 120mm ± 0.50mm		CHECKED					
5							ISSUED					
4							SHEET	1 OF 1				
3	CONTACT PIN	BER. COPPER	GOLD	1								
2	INSULATOR	TEFLON	NATURAL	1								
1	BODY	BRASS	NICKEL	1								
	DESCRIPTION	MATERIAL	FINISH	QTY	DO NOT SCALE DRAWING	CAD FILE	C:/242/242223.DWG					
<p>Amphenol Connex</p> <p>SMB PLUG TO F JACK ADAPTER</p> <p>PART NO. 242223</p>												