

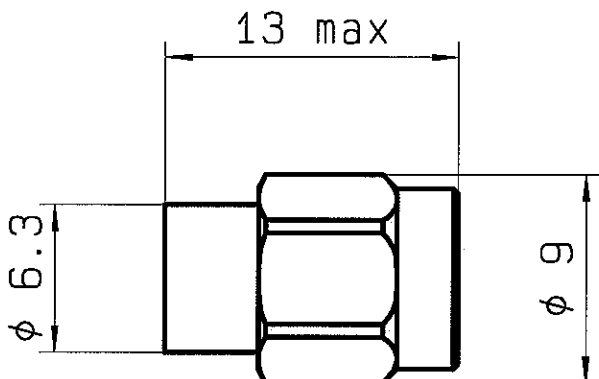


TITLE: 2 W 18GHz SMA/m COAXIAL TERMINATION

issue
23. juin.04

Page
1 / 2

DRAWING



General tolerances: +/- 0.5 mm

MATERIALS AND FINISHES

- BODY : STAINLESS STEEL
- CONTACT : BERYLLIUM COPPER - Ni1 Au2.5
- INSULATOR : TEFLON
- GASKET : SILICONE RUBBER
- SUBSTRATE : ALUMINA
- RESISTIVE MATERIAL : THIN FILM

This information is given as an indication. In the continual goal to improve our products, we reserve the right to make any modifications judged necessary

4112-9212

CREATION N° : PEN/EP:87240 Name:KL Date:04.dec.87 APP.:				
	23.juin.04	Added MATERIALS AND FINISHES	T.JL	VP
	05.may.95	Peak power: 250W --> 100W	PG	VE
	16.oct.92	New format	PG	
	ISSUE	REVISIONS	NAME	APPR.

RADIALL®

101. rue P. Hoffmann -Z.I Ouest-
93116 ROSNY/BOIS Cedex-FRANCE
Phone:33(1)49353535
Fax :33(1)48546363
Twx RADIA 235220F



TITLE: 2 W 18GHz SMA/m COAXIAL TERMINATION

issue
23. juin.04

Page
2 / 2

ELECTRICAL CHARACTERISTICS

FREQUENCY RANGE	:	DC - 18GHz
IMPEDANCE	:	50 Ohms
DC RESISTANCE	:	50 Ohms ± 2%
AVERAGE POWER HANDLING	:	2 W at 25°C
PEAK POWER HANDLING	:	100 W (1 µs, 1%.) at 25°C
V.S.W.R :	DC - 4 GHz	: ≤1.10
	4 - 8 GHz	: ≤1.18
	8 - 18 GHz	: ≤1.25

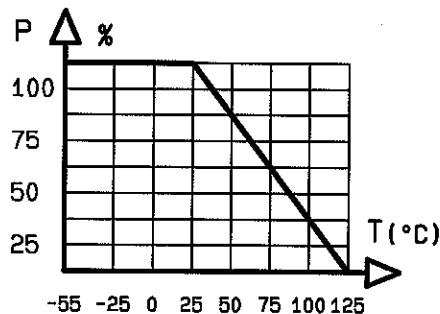
MECHANICAL CHARACTERISTICS

CONNECTOR	:	SMA male per MIL C 39012
MAXIMUM WEIGHT	:	3 grams

ENVIRONMENTAL CHARACTERISTICS

OPERATING TEMPERATURE RANGE (°C)	:	- 55 ; + 125
STORAGE TEMPERATURE RANGE (°C)	:	- 55 ; + 125

Power derating
Versus temperature



This information is given as an indication. In the continual goal to improve our products, we reserve the right to make any modifications judged necessary

4412-9212

CREATION				
N° :				
PEN/EP:87240				
Name:KL				
Date:04.dec.87				
APP.:				
ISSUE	REVISIONS	NAME	APPR.	

RADIALL®

101. rue P. Hoffmann -Z.I Ouest-
93116 ROSNY/BOIS Cedex-FRANCE
Phone :33(1)49353535
Fax :33(1)48546363
Twx RADIA 235220F