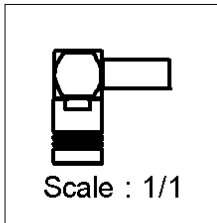
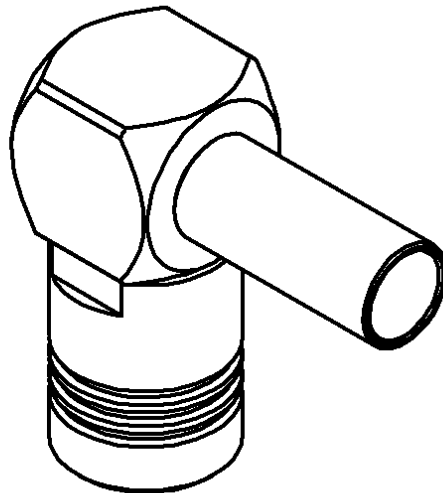
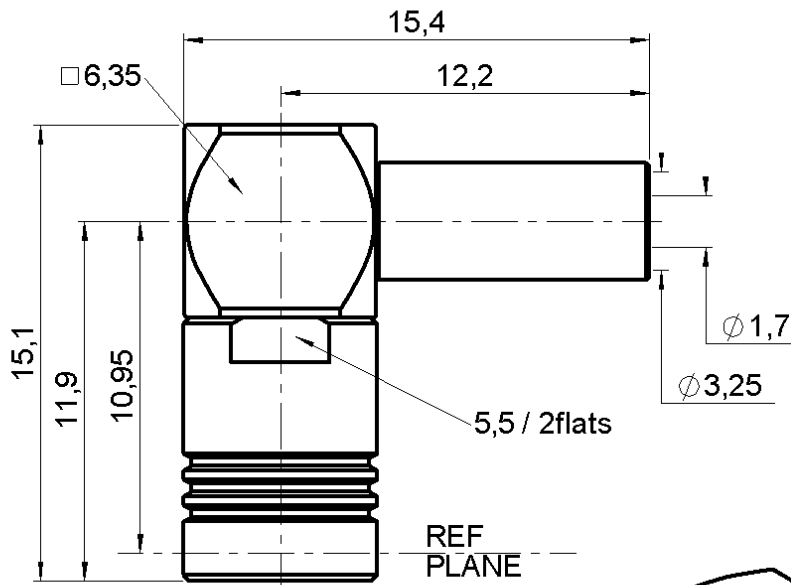


RIGHT ANGLE PLUG CRIMP TYPE

R114.187.000

CABLE 2.6/50+75 S

Series : SMB



All dimensions are in mm.



COMPONENTS	MATERIALS	PLATINGS (µm)
BODY	BRASS	GOLD 0.2 OVER NICKEL 2
CENTER CONTACT	BERYLLIUM COPPER	GOLD 1.3 OVER NICKEL 2
OUTER CONTACT	BERYLLIUM COPPER	GOLD 0.5 OVER NICKEL 2
INSULATOR	PTFE	
GASKET	-	
OTHERS PARTS	BRASS	GOLD 0.2 OVER NICKEL 2
-	-	-
-	-	-

Issue : 0216 B

In the effort to improve our products, we reserve the right to make changes judged to be necessary.



RIGHT ANGLE PLUG CRIMP TYPE

R114.187.000

CABLE 2.6/50+75 S

Series : SMB

PACKAGING

Standard	Unit	Other
100	'W' option	Contact us

SPECIFICATION

ELECTRICAL CHARACTERISTICS

Impedance		50 Ω
Frequency		0-4 GHz
VSWR	1.35 +	0.040 x F(GHz) Maxi
Insertion loss		0.5 √F(GHz) dB Maxi
RF leakage	- (57 - F(GHz) dB mini
Voltage rating		335 Veff Maxi
Dielectric withstanding voltage		1000 Veff mini
Insulation resistance		1000 MΩ mini

CABLE ASSEMBLY

Stripping	a	b	c	d	e	f
mm	3.50	8.00	16.0	0.00	12.5	0.00

Assembly instruction :

Recommended cable(s)
 RG 316
 RG 188
 RG 179
 RG 187
 KX 22A

MECHANICAL CHARACTERISTICS

Center contact retention		
Axial force – Mating end		10 N mini
Axial force – Opposite end		10 N mini
Torque		NA N.cm mini

Cable retention

- pull off	110 N mini
- torque	NA N.cm

TOOLING

Part Number	Description	Hexagon
.	.	.
R282.211.000	CRIMPING TOOL	3.25
R282.235.003	CRIMPING DIES	3.25
R282.281.000	CRIMPING TOOL	2x4 (pos. 2)
R282.293.000	CRIMPING TOOL	-
R282.983.000	POSITONER FOR CRIMPING TOOL	-

Recommended torque		
Mating		NA N.cm
Panel nut		NA N.cm
Clamp nut		NA N.cm
A/F clamp nut	0.000	mm

Mating life	500	Cycles mini
Weight	3.570	g

OTHERS CHARACTERISTICS

ENVIRONMENTAL

Operating temperature	-65/+165	° C
Hermetic seal	NA	Atm.cm3/s
Panel leakage	NA	

Issue : 0216 B

In the effort to improve our products, we reserve the right to make changes judged to be necessary.



RIGHT ANGLE PLUG CRIMP TYPE

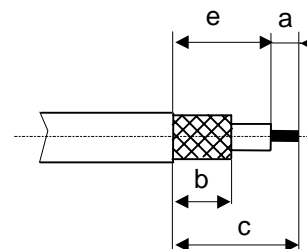
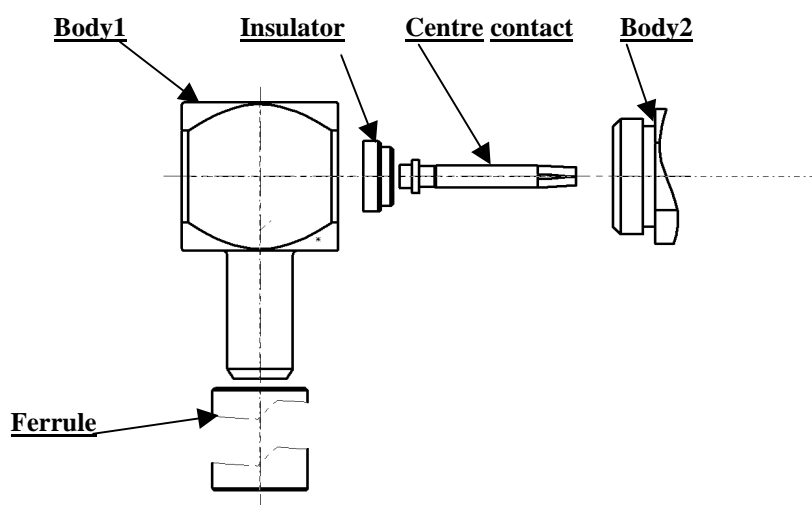
R114.187.000

CABLE 2.6/50+75 S

Series : SMB

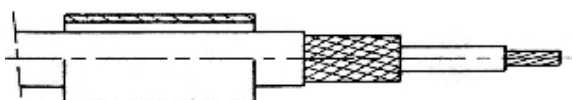
COMPONENTS

STRIPPING DIMENSIONS



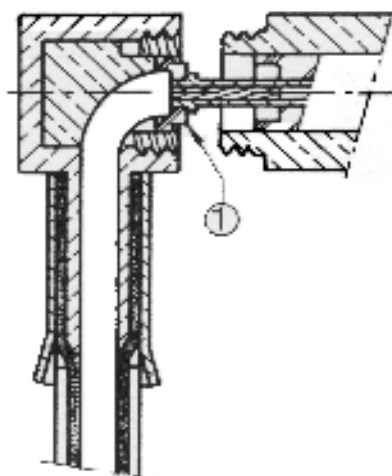
1

Mount the ferrule.
Strip off the cable



2

- Push the cable into the body1 of the connector the jacket must be against the sleeve.
- Mount the insulator ①.
- Crimp the centre contact against the insulator with crimping tool.
- Remove the cable to put the insulator abutment the body2
- Crimp the ferrule with crimping tool.
- Mount the front insulator on the centre contact.
- Screw the body1 into the cable assembly.



Issue : 0216 B

In the effort to improve our products, we reserve the right to make changes judged to be necessary.

