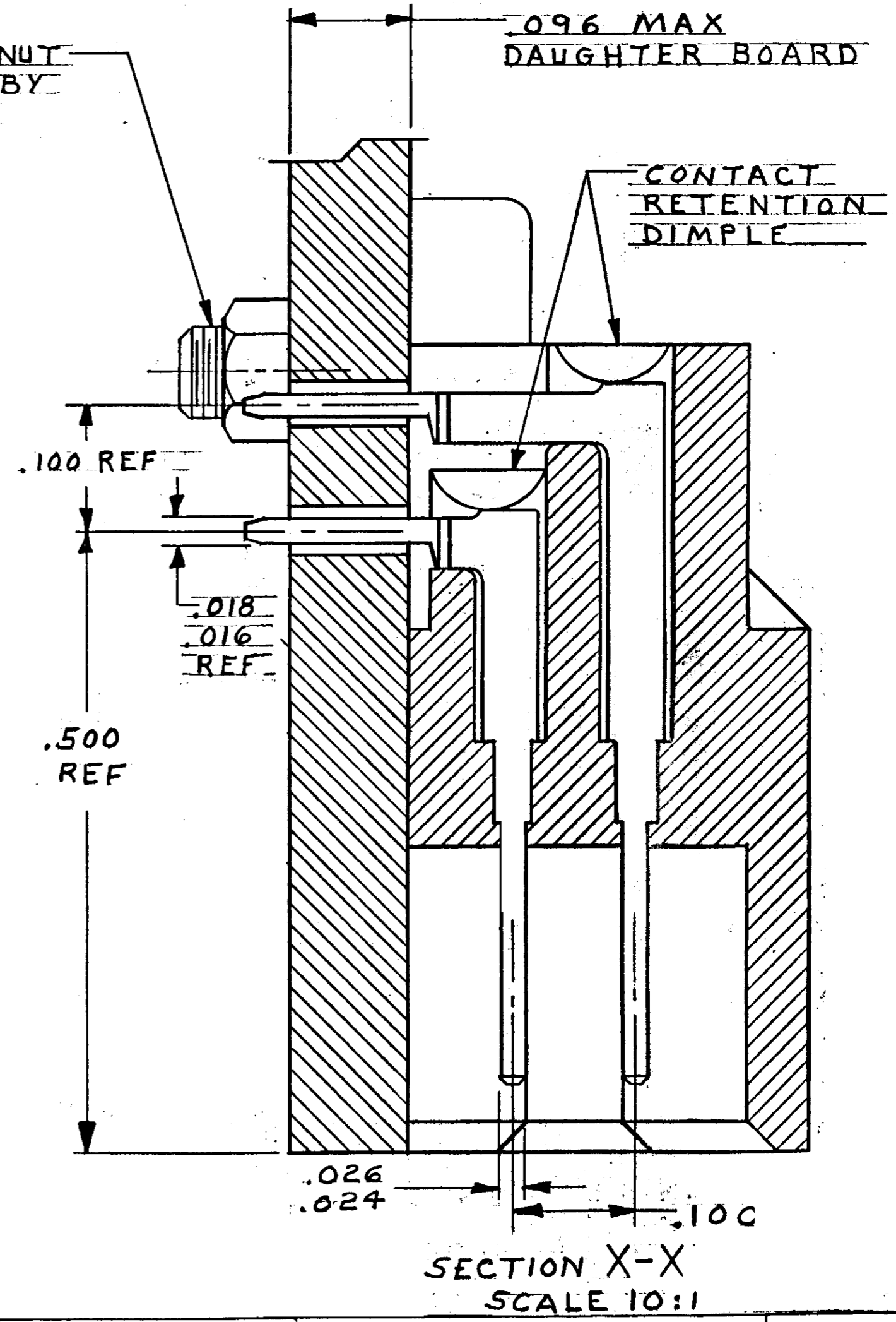
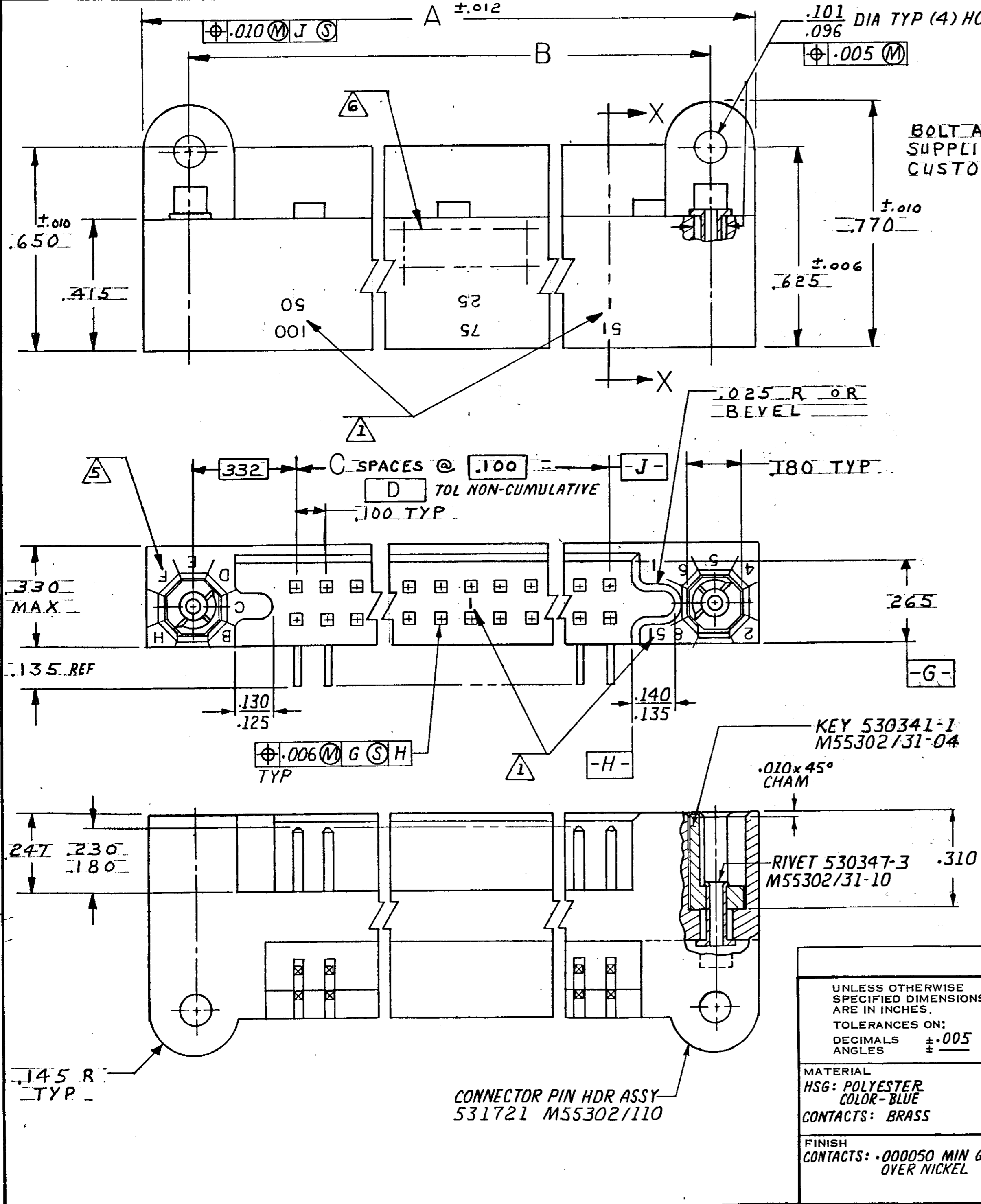


THIS DRAWING IS UNPUBLISHED. RELEASED FOR PUBLICATION, 19
 © COPYRIGHT 19 BY AMP INCORPORATED, HARRISBURG, PA. ALL INTERNATIONAL RIGHTS RESERVED. AMP PRODUCTS MAY BE COVERED BY U.S. AND FOREIGN PATENTS AND/OR PATENTS PENDING.

REVISIONS						
P	F	ZONE	LTR	DESCRIPTION	DATE	APPROVED
✓	✓		F	REV PER DF-4316	AJG	2-91
✓	✓		G	REV PER 0600-5641-96	TT	9-97
			H	REV PER 0600-6467-97	TT	10-98
			J	ECO-10-002921	PY	3-10 DM

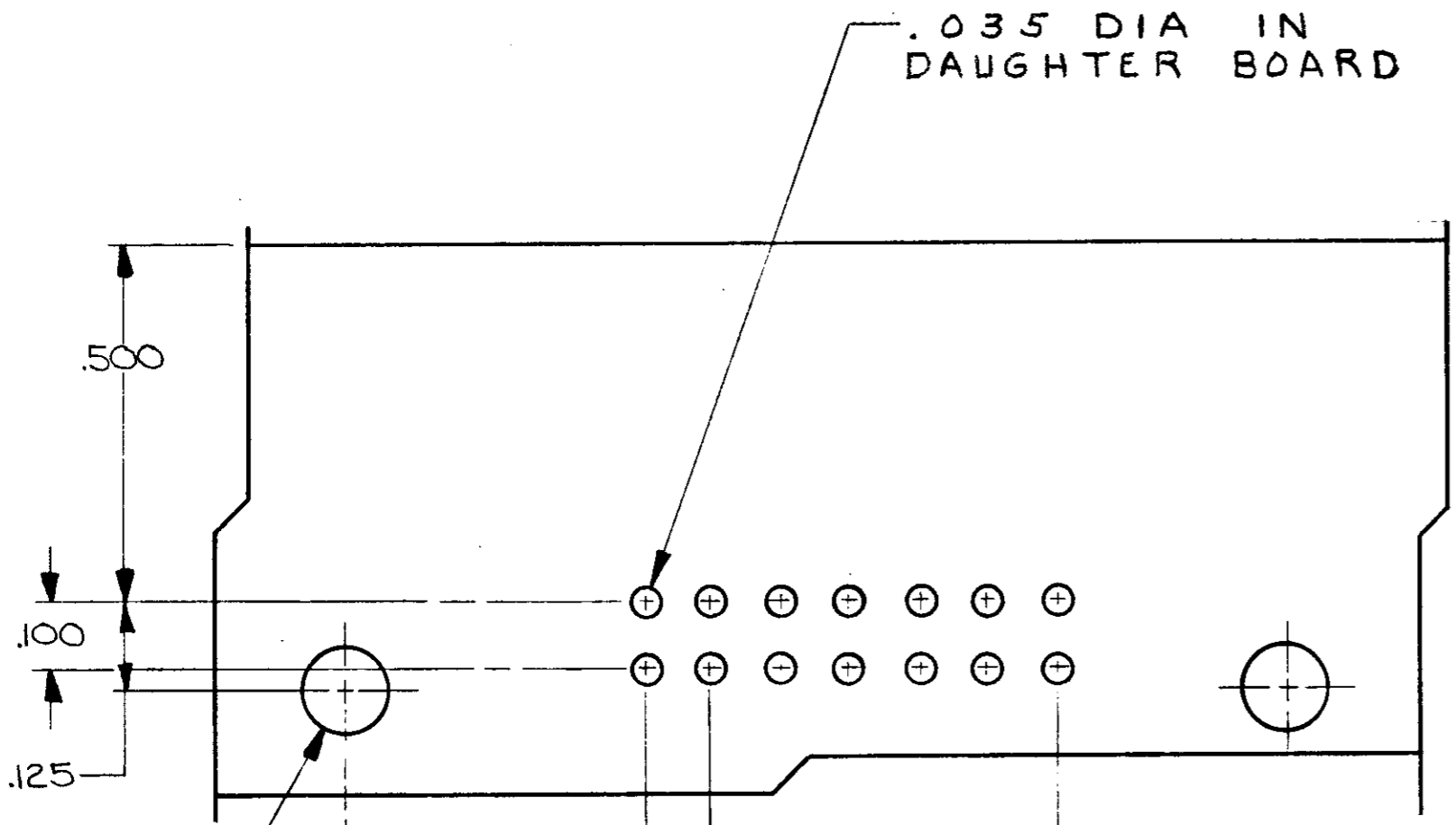


UNLESS OTHERWISE SPECIFIED DIMENSIONS ARE IN INCHES. TOLERANCES ON: DECIMALS ±.005 ANGLES ±	CONTRACT NO		PART NO	
	DR	10-26-81	AMP AMP INCORPORATED Harrisburg, Pa. 17105	
	CHK	M. Smith	NAME	
	APPD	W. H. Hatcher Jr 12-15-81	PIN HDR ASSY, W/EXTERNAL KEYING, RGT ANGLE, MOUNTED CONNECTOR, BOX CONTACT, 1001 SERIES	
MATERIAL	HSG: POLYESTER COLOR-BLUE CONTACTS: BRASS	APPD	W. H. Hatcher Jr 12-15-81	SIZE
FINISH	CONTACTS: .000050 MIN GOLD OVER NICKEL	APPD	E. T. Parsons 12-22-81	FSCM NO
		DSGN APPD		DRAWING NO
		OTHER APPD		REV
				C 00779 531102 J
				SCALE 4:1 SHEET 1 OF 3

531102

© COPYRIGHT 19 BY AMP INCORPORATED, HARRISBURG, PA.
 ALL INTERNATIONAL RIGHTS RESERVED. AMP INCORPORATED PRODUCTS
 COVERED BY U. S. AND FOREIGN PATENTS AND/OR PATENTS PENDING.

LOC		DIST		REVISIONS				
DF	FO	P	F	ZONE	LTR	DESCRIPTION	DATE	APPROVED
						SEE SHEET 1		



RECOMMENDED BOARD LAYOUT
 NOT TO SCALE

OBS	CUSTOMER PART NO	E	D	C	B	A	UNKEYED CONN P/N	KEYING LOCATIONS	CAVITY IDENT NO	NO OF POS	ASSEMBLY PART NO
	768485-31	4.065	3.400	34	4.065	4.355	531721-5	C 3	1-36	70	2-531102-4
	768485-30	4.065	3.400	34	4.065	4.355	-5	B 2	1-36	70	2-531102-3
	768485-29	4.065	3.400	34	4.065	4.355	-5	A 1	1-36	70	2-531102-2
	768485-21	4.565	3.900	39	4.565	4.855	-6	G5	1-41	80	2-531102-1
	-20						-6	H6			2- -0
	-19						-6	A8			1- -9
	-18						-6	B5			1- -8
	-17	4.565	3.900	39	4.565	4.855	-6	F3	1-41	80	1- -7
OBS	-16	6.065	5.400	54	6.065	6.355	-9	H6	1-56	110	1- -6
	-15						-9	H1			1- -5
	-14						-9	G5			1- -4
	-13						-9	G4			1- -3
	-12						-9	F8			1- -2
OBS	-11						-9	F3			1- -1
	-10						-9	E7			1- -0
	-9						-9	E2			-9
	-8						-9	D7			-8
OBS	-7						-9	D1			-7
	-6						-9	C6			-6
	-5						-9	C4			-5
OBS	-4						-9	B5			-4
	-3						-9	B3			-3
	-2						-9	A8			-2
OBS	768485-1	6.065	5.400	54	6.065	6.355	531721-9	A2	1-56	110	531102-1

1. NUMBERS AND LINES INDICATING EVERY FIVE CAVITIES MARKED ON MATING FACE NUMBERS INDICATING EVERY FIVE CAVITIES MARKED ON SIDE. (SEE TABLE)
2. MUST MEET ALL APPLICABLE REQUIREMENTS OF MIL-C-55302.
3. KEY CAPTIVATED BY RIVET. ROLLED EDGES OF RIVET TIGHT AT LEAST 270° OF CONTACTING SURFACES.
4. USE EXTERNAL KEY NO 530341-1, MATES WITH PART NO 530340.
5. KEY POSITION IDENTIFICATION MOLDED ON SURFACE SHOWN.
6. ASSEMBLY PART NUMBER, AMP, PART NUMBER, CUST PART NO. (SEE TABLE), AND DATE CODE MARKED ON THIS AREA

UNLESS OTHERWISE SPECIFIED DIMENSIONS ARE IN INCHES. TOLERANCES ON: DECIMALS ± .005 ANGLES	CONTRACT NO		AMP INCORPORATED Harrisburg, Pa.
	DR <i>AM Sharpe</i> 8-4-78		
MATERIAL	CHK <i>R.W. Dorian</i> 8/23/78		NAME PIN HEADER ASSY, W/ EXTERNAL KEYING, RIGHT ANGLE, CONNECTOR, BOX CONTACT, 1001 SERIES
	APPD <i>Rogers Dorian</i> 8/23/78		
FINISH	APPD <i>R. Shuman</i> 8/23/78		SIZE CODE IDENT NO DRAWING NO C 00779 531102
	OTHER APPD		REV J
SCALE 4:1			SHEET 2 of 3

© COPYRIGHT 19 BY AMP INCORPORATED, HARRISBURG, PA.
 ALL INTERNATIONAL RIGHTS RESERVED. AMP INCORPORATED PRODUCTS
 COVERED BY U. S. AND FOREIGN PATENTS AND/OR PATENTS PENDING.

REVISIONS						
P	F	ZONE	LTR	DESCRIPTION	DATE	APPROVED
SEE SHEET 1						

OBS	768485-61	6.065	5.400	5A	6.065	6.355	531721-9	F6	1-56	110	4-531102-4		
	768485-26	6.065	5.400	5A	6.065	6.355	531721-9	E-4	1-56	110	4-531102-3		
OBS		↑	↑	↑	↑	↑	↑	-9	C-8	↑	↑	4-	↑
OBS								-9	C-2			4-	-1
								-9	B-1			4-	-0
								-9	A-3			3-	-9
OBS								-9	F-7			3-	-8
								-9	E-5			3-	-7
OBS								-9	E-3			3-	-6
OBS								-9	E-1			3-	-5
								-9	D-8			3-	-4
OBS								-9	D-6			3-	-3
								-9	D-5			3-	-2
OBS								-9	D-4			3-	-1
								-9	H-8			3-	-0
OBS								-9	F-5			2-	-9
OBS								-9	A-6			2-	-8
OBS								-9	G-8			2-	-7
								-9	C-5			2-	-6
								↓				↓	
	768485-25	6.065	5.400	5A	6.065	6.355	531721-9	D-3	1-56	110	2-531102-5		
	CUSTOMER PART NO	E	D	C	B	A	UNKEYED CONN P/N	KEYING LOCATIONS	CAVITY IDENT NO	NO OF POS	PART NO		

531102

UNLESS OTHERWISE SPECIFIED DIMENSIONS ARE IN INCHES. TOLERANCES ON: DECIMALS ±.005 ANGLES ±	CONTRACT NO		AMP AMP INCORPORATED Harrisburg, Pa.	
	DR	<i>M. Smith</i>	6-21-79	NAME PIN HEADER ASSY, WITH EXTERNAL KEYING, RIGHT ANGLE, MOUNTED CONNECTOR, BOX CONTACT, 1001 SERIES
	CHK	<i>Roger W. Puck</i>	7/3/79	
	APPD	<i>Roger W. Puck</i>	7/3/79	
MATERIAL	FINISH		SIZE C CODE IDENT NO 00779 DRAWING NO 531102 REV J	
OTHER APPD		SCALE # SHEET 3 of 3		