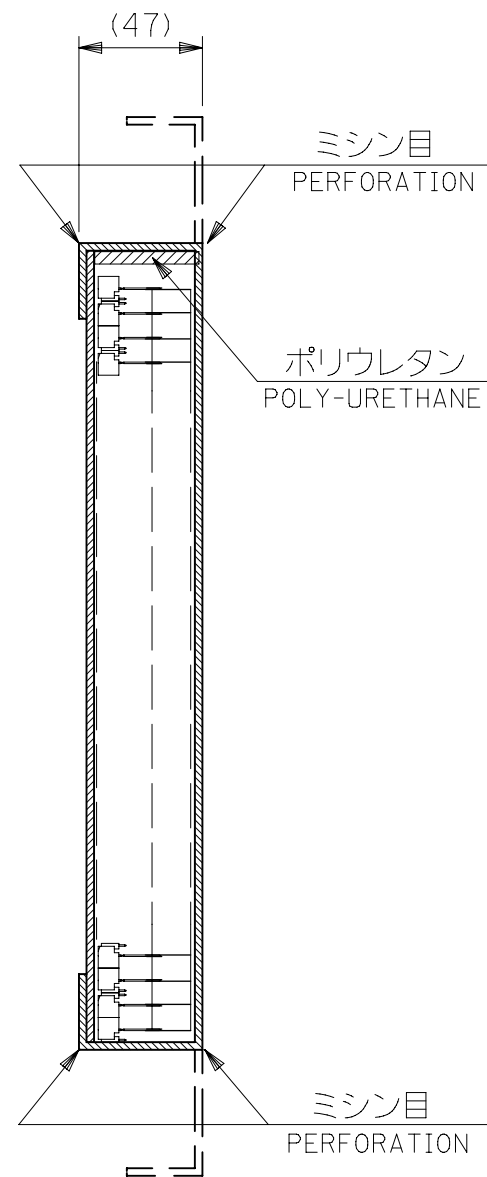
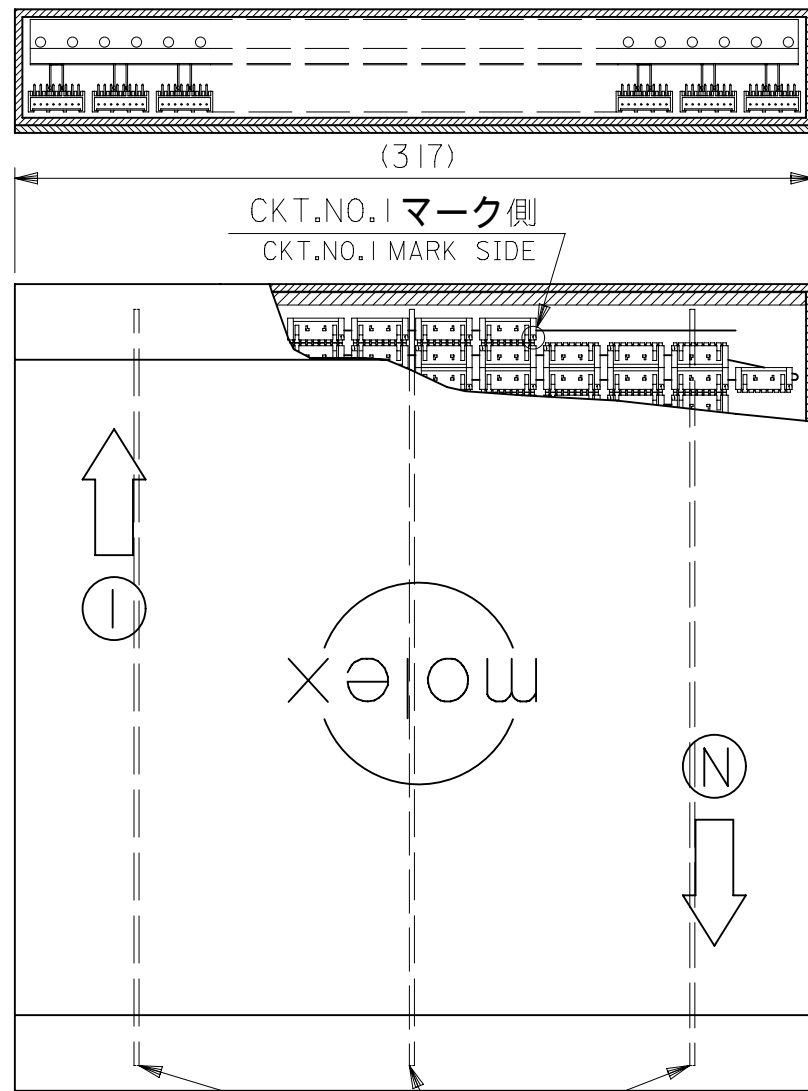
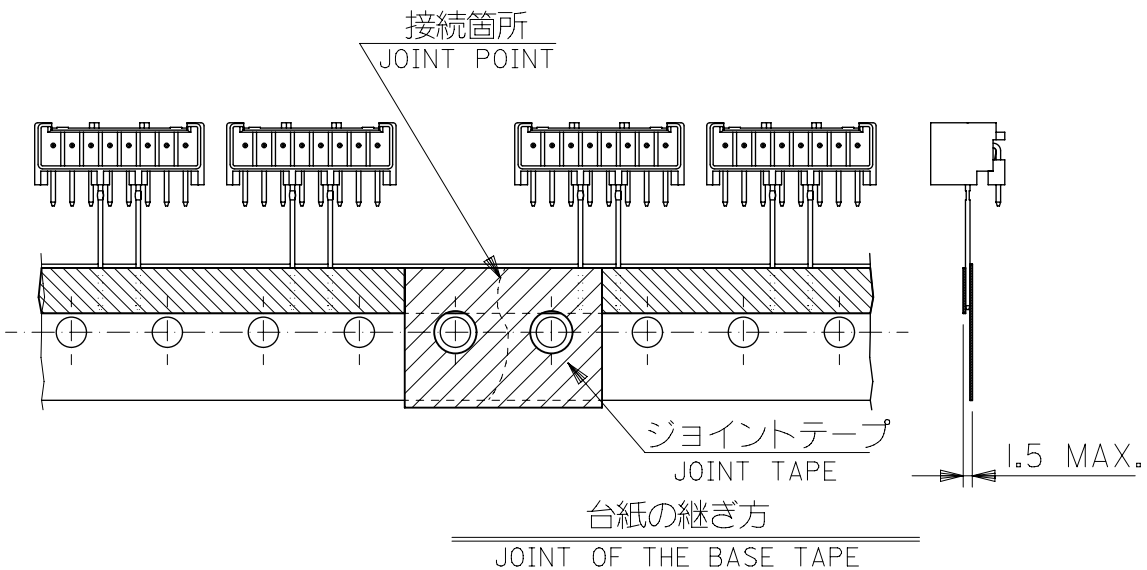


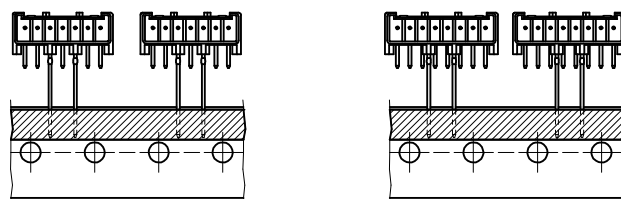
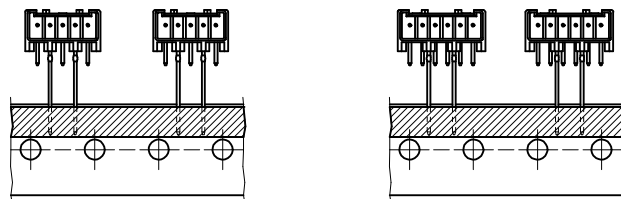
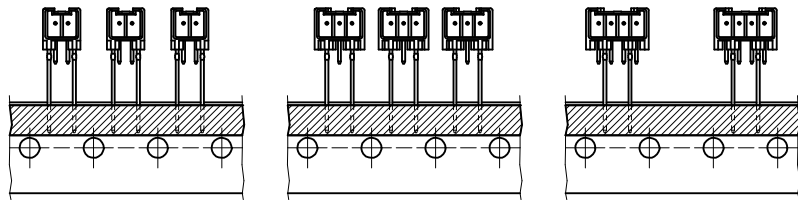
極数別テーピング状態図  
CKT. TAPING FORM



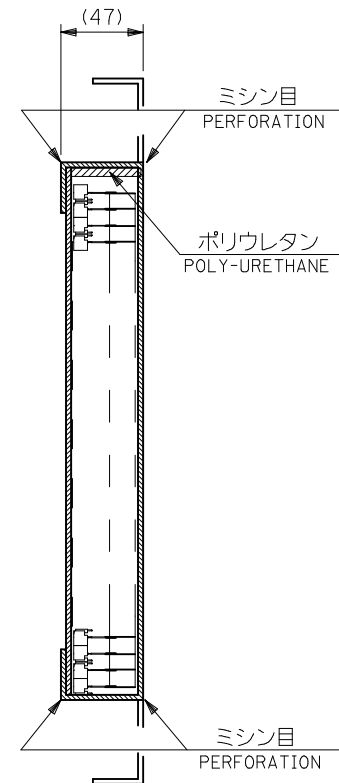
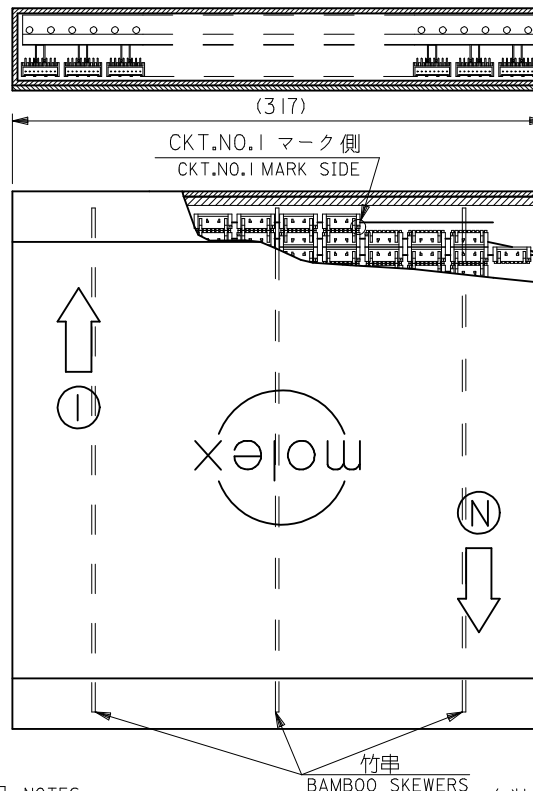
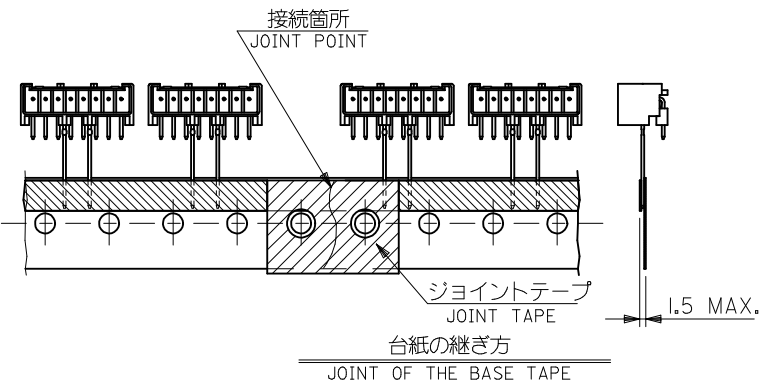
注記 NOTES

- 包装形態はつづら折りで箱詰め。  
RADIAL TAPE IS FOLDED AND PILED IN THE CARTON.
- テーピングの両端には、5個以上の送り穴を設けること。  
BOTH ENDS OF TAPING, MORE THAN 5 FEEDING HOLES SHOULD BE PROVIDED.
- コネクタの欠落数は、D 寸法 (SHEET 1 OF 2 参照) が 12、7 の場合連続 3 個まで、25、4 の場合 1 個とする。(折り目ごとの 1 個抜きも含む)  
ALLOWABLE NUMBERS OF CONSECUTIVE MISSING CONNECTORS:  
FOR CONNECTORS WHERE D=12.7,=3 (REFER TO SHEET 1 OF 2)  
FOR CONNECTORS WHERE D=25.4,=1
- 台紙の継ぎ目のずれは、いかなる方向からも ±0.3mm 以内とする。  
MISMATCHED JOINT OF THE BASE TAPE SHOULD BE KEPT WITHIN ±0.3mm IN EVERY DIRECTIONS.
- 図中以外の項目は、日本工業規格 JIS C0805 "電子部品のテーピング" を適用。  
ITEMS UNLESS OTHERWISE SPECIFIED, JIS C 0805 (TAPING OF ELECTRONIC COMPONENTS) SHOULD BE APPLIED.

THIS DRAWING CONTAINS INFORMATION THAT IS PROPRIETARY TO MOLEX ELECTRONIC TECHNOLOGIES, LLC AND SHOULD NOT BE USED WITHOUT WRITTEN PERMISSION									
DIMENSION UNITS		SCALE		CURRENT REV DESC: OBSOLETE PART NO					
MM		1:1							
GENERAL TOLERANCES (UNLESS SPECIFIED)									
4 PLACES ± 0.2 ±		MM INCH		EC NO: 607921		2.5 W/B CONN WAFER ASSY R/A RADIAL TAPING -LEAD FREE-			
3 PLACES ± 0.25 ±				DRWN: AKUMAR19		2018/09/28			
2 PLACES ± 0.3 ±				CHK'D: GGA		2018/12/21			
1 PLACE ± ±				APPR: GGA		2018/12/21			
0 PLACES ± ±				INITIAL REVISION:		PRODUCT CUSTOMER DRAWING			
ANGULAR TOL ± 3.0°				DRWN: K.TOJO		1993/05/24		DOCUMENT NUMBER	
				APPR: T.YAMAGUCHI		2001/11/13		SD-53426-002	
DRAFT WHERE APPLICABLE MUST REMAIN WITHIN DIMENSIONS		THIRD ANGLE PROJECTION		DRAWING		SERIES		MATERIAL NUMBER	
				A3-SIZE		53426		CUSTOMER	
								GENERAL MARKET	
								SHEET NUMBER	
								2 OF 2	



極数別テーピング状態図  
CKT. TAPING FORM



注記 NOTES

- 包装形態はつづら折りで箱詰め。  
RADIAL TAPE IS FOLDED AND PILED IN THE CARTON.
- テーピングの両端には、5個以上の送り穴を設けること。  
BOTH ENDS OF TAPING, MORE THAN 5 FEEDING HOLES SHOULD BE PROVIDED.
- コネクタの欠落数は、D寸法 (SHEET 1 OF 2 参照) が 12.7 の場合連続3個まで、2.5, 4 の場合1個とする。(折り目ごとの1個抜きも含む)  
ALLOWABLE NUMBERS OF CONSECUTIVE MISSING CONNECTORS:  
FOR CONNECTORS WHERE D=12.7, =3 (REFER TO SHEET 1 OF 2)  
FOR CONNECTORS WHERE D=2.5, 4, =1
- 台紙の継ぎ目のずれは、いかなる方向からも ±0.3以内とする。  
MISMATCHED JOINT OF THE BASE TAPE SHOULD BE KEPT WITHIN ±0.3mm IN EVERY DIRECTIONS.
- 図中以外の項目は、日本工業規格 JIS C0805 \* 電子部品のテーピング \* を適用。  
ITEMS UNLESS OTHERWISE SPECIFIED, JIS C 0805 (TAPING OF ELECTRONIC COMPONENTS) SHOULD BE APPLIED.

REVISED EC NO: J2009-0576 DRWN: MAKURAA 2008/12/16 CHKD: T. HARUYAMA 2008/12/16 APPR: NUKITA 2009/01/19	GENERAL TOLERANCES (UNLESS SPECIFIED)		DIMENSION STYLE MM ONLY		SCALE ---	DESIGN UNITS METRIC	THIRD ANGLE PROJECTION
	10 UNDER	±0.2	DRAWN BY K. TOJO	DATE 1993/05/24	TITLE 2.5 W/B CONN WAFER ASSY R/A RADIAL TAPING -LEAD FREE-		
	10 OVER 30 UNDER	±0.25	CHECKED BY K. ASAKAWA	DATE 2001/11/13	MOLEX INCORPORATED		
	30 OVER	±0.3	APPROVED BY T. YAMAGUCHI	DATE 2001/11/13	DOCUMENT NO. SD-53426-002		
REV	DESCRIPTION	ANGULAR ±3 °	MATERIAL NO. SEE CHEET 1		SHEET NO. 2 OF 2		
		DRAFT WHERE APPLICABLE MUST REMAIN WITHIN DIMENSIONS		THIS DRAWING CONTAINS INFORMATION THAT IS PROPRIETARY TO MOLEX INCORPORATED AND SHOULD NOT BE USED WITHOUT WRITTEN PERMISSION			