

Material Number	Description	Length [M]
1203550002	D/E Cordset straight	0.25
1203550014	D/E Cordset straight	0.50
1203550015	D/E Cordset straight	1.00
1203550016	D/E Cordset straight	1.50
1203550017	D/E Cordset straight	2.00
1203550018	D/E Cordset straight	5.00
1203550019	D/E Cordset straight	8.00
1203550020	D/E Cordset straight	10.00
1203550021	D/E Cordset straight	15.00

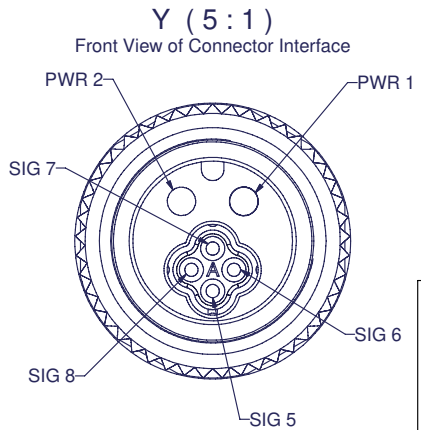
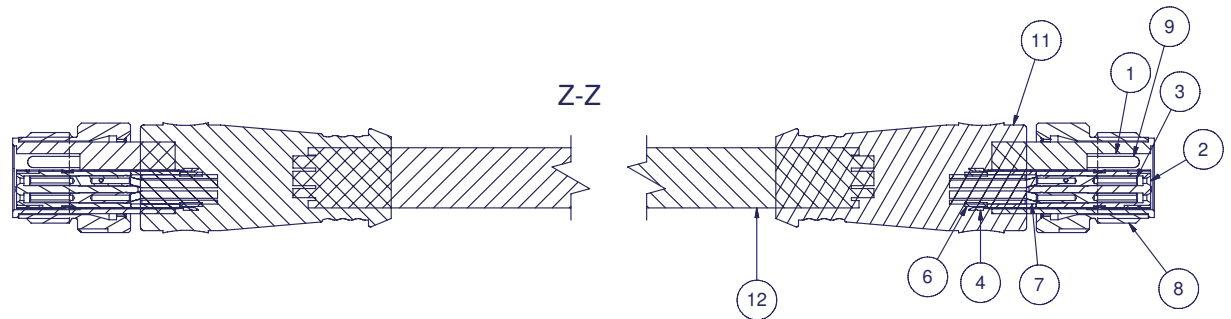
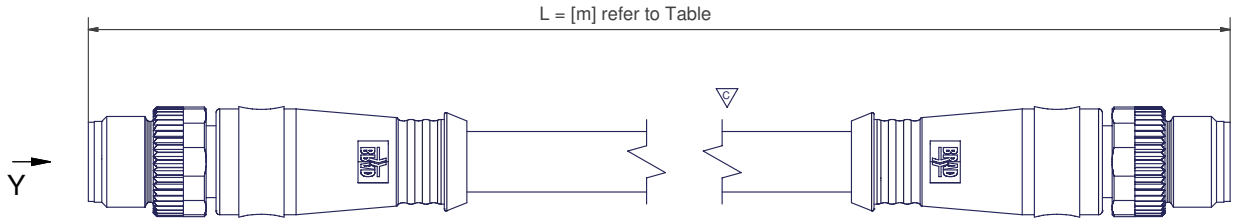
Description:
M12 Hybrid Cordset
Transmission after CAT5 (Signal contacts only)
Special Keyway 4+2
Cordset to be free of paint wetting impairment substances

Electrical Data:
Signal: 4 Poles
Max Voltage 30V
Max. Current: 12A at 55°C
Contact Resistance: 5 mOhm
Insulation Resistance: 100 MOhm
Impedance: 100 Ohm
HF capability: CAT5

Power: 2 Poles
Max. Voltage 30V
Max. Current 12A
Contact Resistance: 5 mOhm
Insulation Resistance: 100 MOhm

Environmental:
Protection: IP67
Temperature Range: -25°C to 75°C

Packaging:
Refer to PK-120355-002



EC NO: WEL2010-0247 DRAWN: FP 7/29/2009 CHECKED: RS 1/11/2009 APPROVED: NS 12/14/2009 REV: 01	QUALITY SYMBOLS	GENERAL TOLERANCES (UNLESS SPECIFIED)	DIMENSION STYLE	SCALE	DESIGN UNITS	FIRST ANGLE PROJECTION
	$\nabla=1x$ $\nabla=1x$	mm INCH 4 PLACES \pm --- 3 PLACES \pm --- 2 PLACES $\pm 0,05$ 1 PLACE $\pm 0,10$ ANGULAR $\pm 1/2^\circ$	MM ONLY	2:1	METRIC	
			DRAWN BY: FP DATE: 7/29/2009	M12-4+2 CHT Cordset Patch Cord Male-Male		
			CHECKED BY: RS DATE:	MOLEX INCORPORATED		
			APPROVED BY: NS DATE:	MATERIAL NO: 120355-XXXX	DOCUMENT NO: SD-120355-002	SHEET NO: 1 OF 1
		DRAFT WHERE APPLICABLE MUST REMAIN WITHIN DIMENSIONS	THIS DRAWING CONTAINS INFORMATION THAT IS PROPRIETARY TO MOLEX INCORPORATED AND SHOULD NOT BE USED WITHOUT WRITTEN PERMISSION			