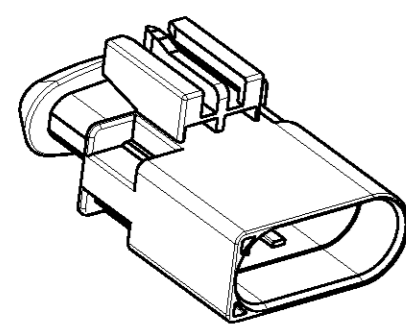
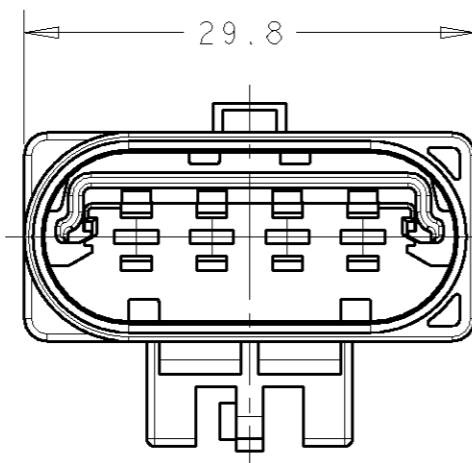


THIS DRAWING IS UNPUBLISHED. RELEASED FOR PUBLICATION 20
 © COPYRIGHT 20 BY TYCO ELECTRONICS CORPORATION. ALL RIGHTS RESERVED.

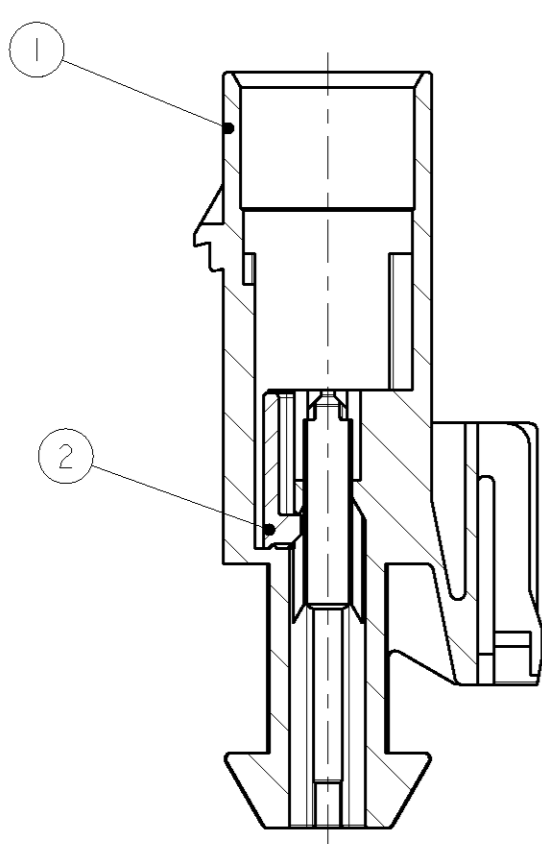
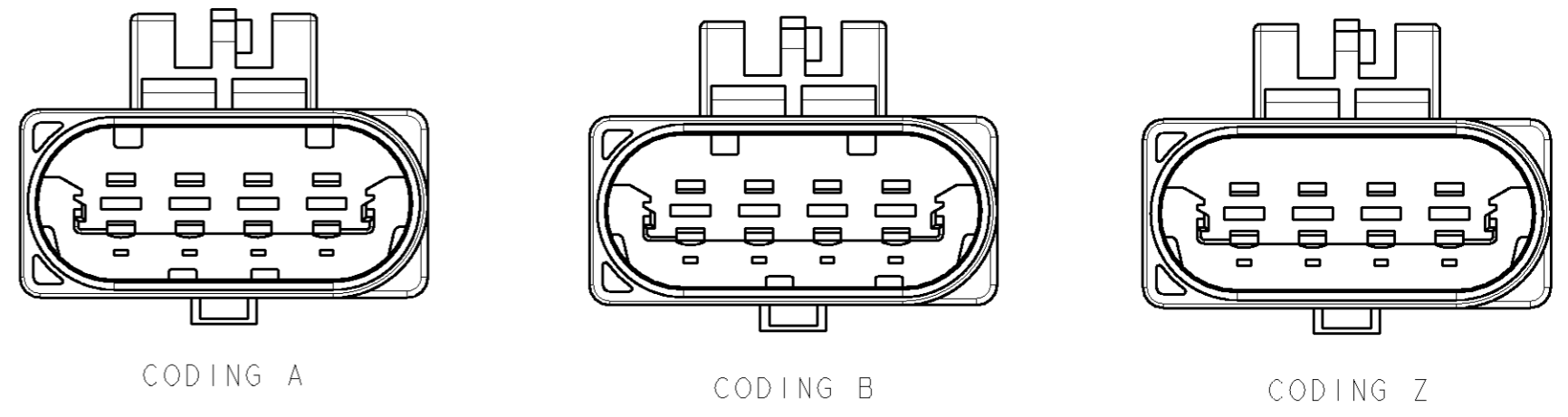
LOC	DIST	REVISIONS					
E	B	P	LTR	DESCRIPTION	DATE	DWN	APVD
		A		EBA0 0053 03	12MAY2004	JCM	BB
		B		ECR-07-017972	31JULY2007	MJH	BB



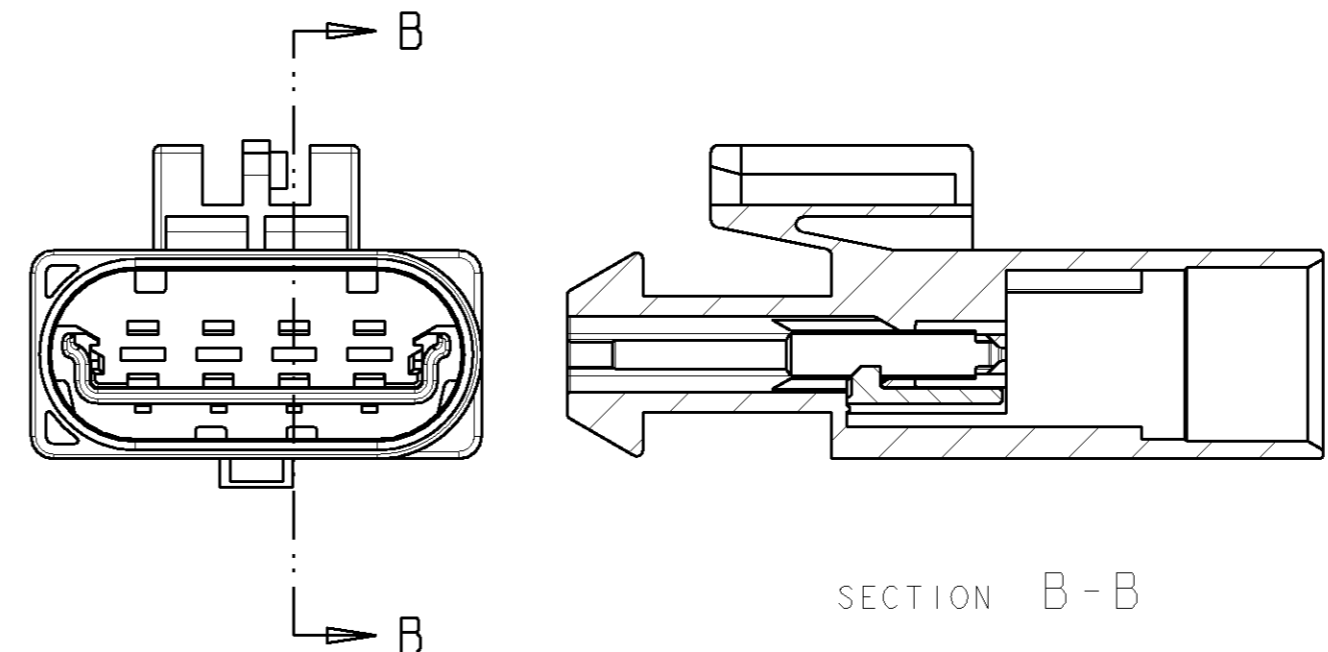
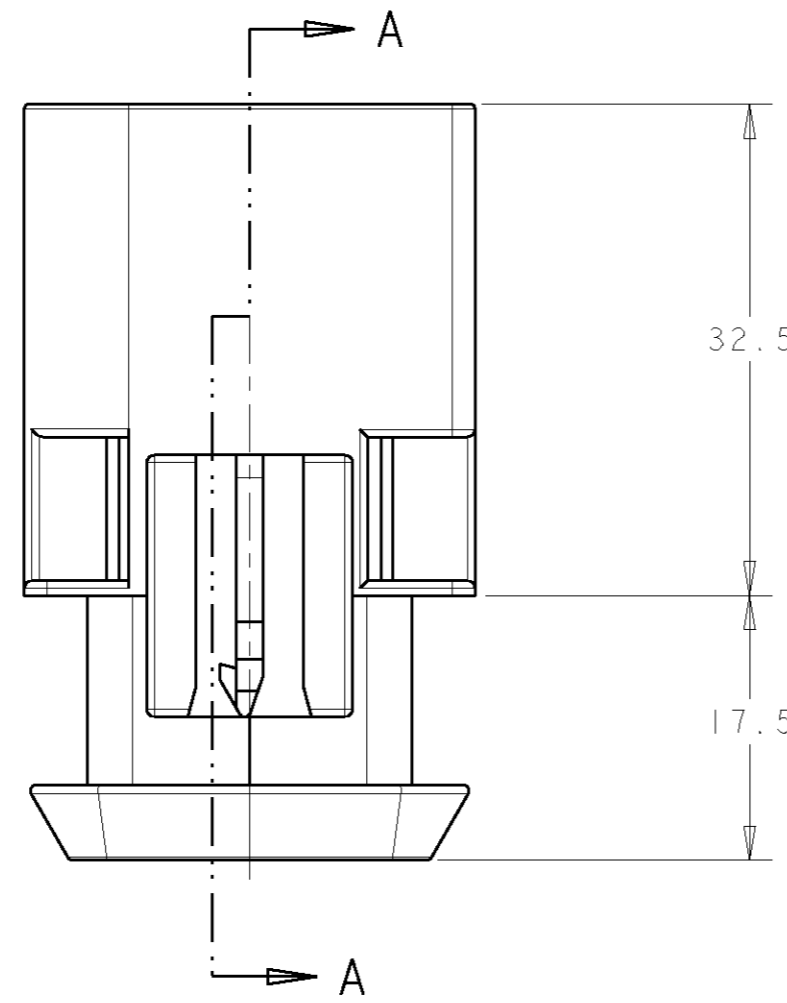
SCALE 1:1



CODING OPTIONS
 VIEWS SHOW SECONDARY LOCK OMITTED FOR CLARITY

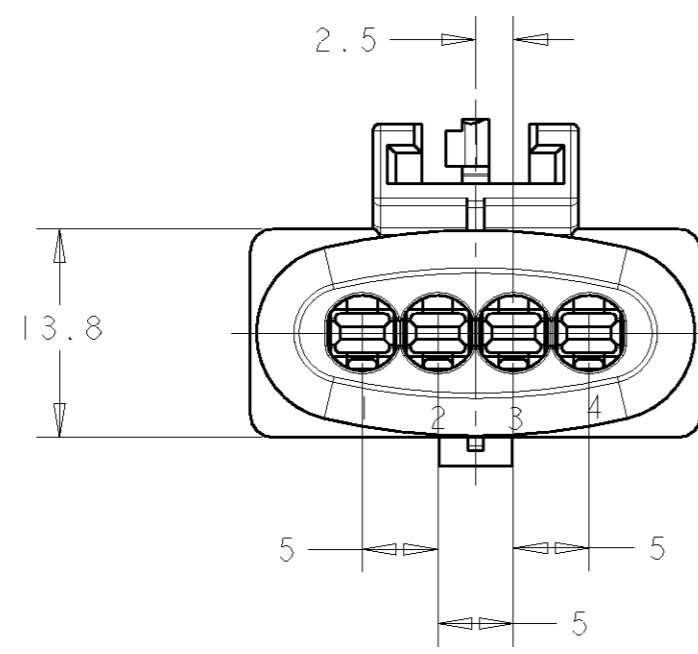


SECTION A-A



SECTION B-B

VIEWS ABOVE SHOW SECONDARY LOCK MOVED TO CLOSED POSITION, THIS IS NOT THE CONDITION OF DELIVERY.



NOTES:

- 1. SUITABLE FOR JPT TAB CONTACT WITH SINGLE WIRE SEALING.
- 2. PACKAGING : LOOSE PIECE

COLOUR	DESCRIPTION	POSN	CODE	PART NUMBER
WATER BLUE	SECONDARY LOCK	2	Z	9-699297-1
WATER BLUE	TAB HSG	1		
NATURAL	SECONDARY LOCK	2	B	2-699297-1
BLACK	TAB HSG	1		
BLACK	SECONDARY LOCK	2	A	1-699297-1
BLACK	TAB HSG	1		

THIS DRAWING IS A CONTROLLED DOCUMENT FOR TYCO ELECTRONICS CORPORATION. IT IS SUBJECT TO CHANGE AND THE CONTROLLING ENGINEERING ORGANIZATION SHOULD BE CONTACTED FOR THE LATEST REVISION.		DWN	J. MARSH	14.11.03
DIMENSIONS:		CHK	B. B.	14.11.03
mm	TOLERANCES UNLESS OTHERWISE SPECIFIED:	APVD	BB	14.11.03
	LINEAR ±0.5	PRODUCT SPEC	108-3395	
	Ø-PLC ±0.1	APPLICATION SPEC	-	
	1-PLC ±0.1	WEIGHT	4g	
	2-PLC ±0.05	CUSTOMER DRAWING		
	3-PLC ±			
	4-PLC ±			
	ANGLES ±0.5			
	FINISH			
MATERIAL	20% GF PBT			

Tyco Electronics UK Ltd, Stanmore, Middlesex, HA7 4RS.		NAME		4 POSN. VDA CONNECTOR	
SIZE	A2	CAGE CODE	00779	DRAWING NO	C-699297
RESTRICTED TO		SCALE	2:1	SHEET	1 OF 1
		REV			B