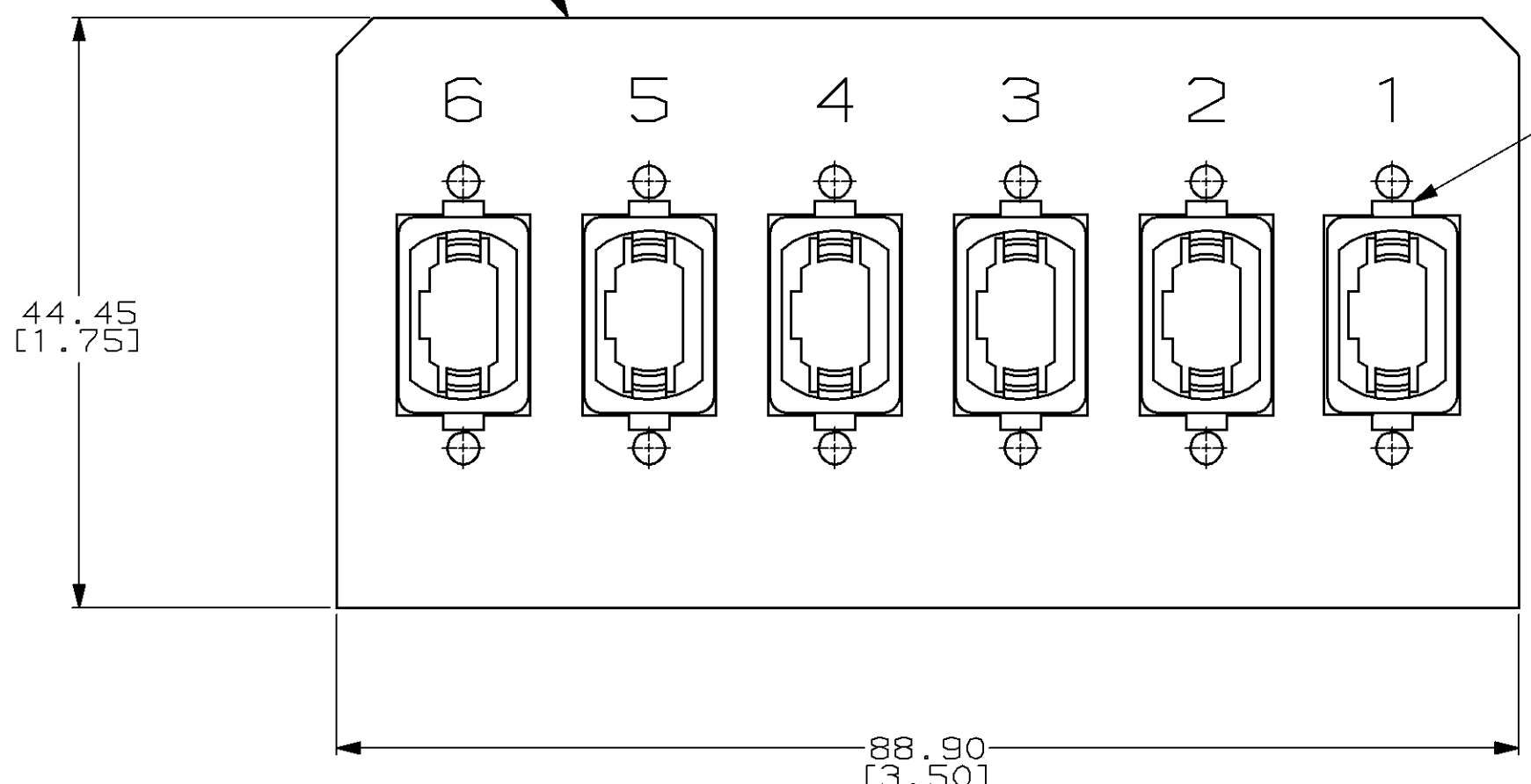


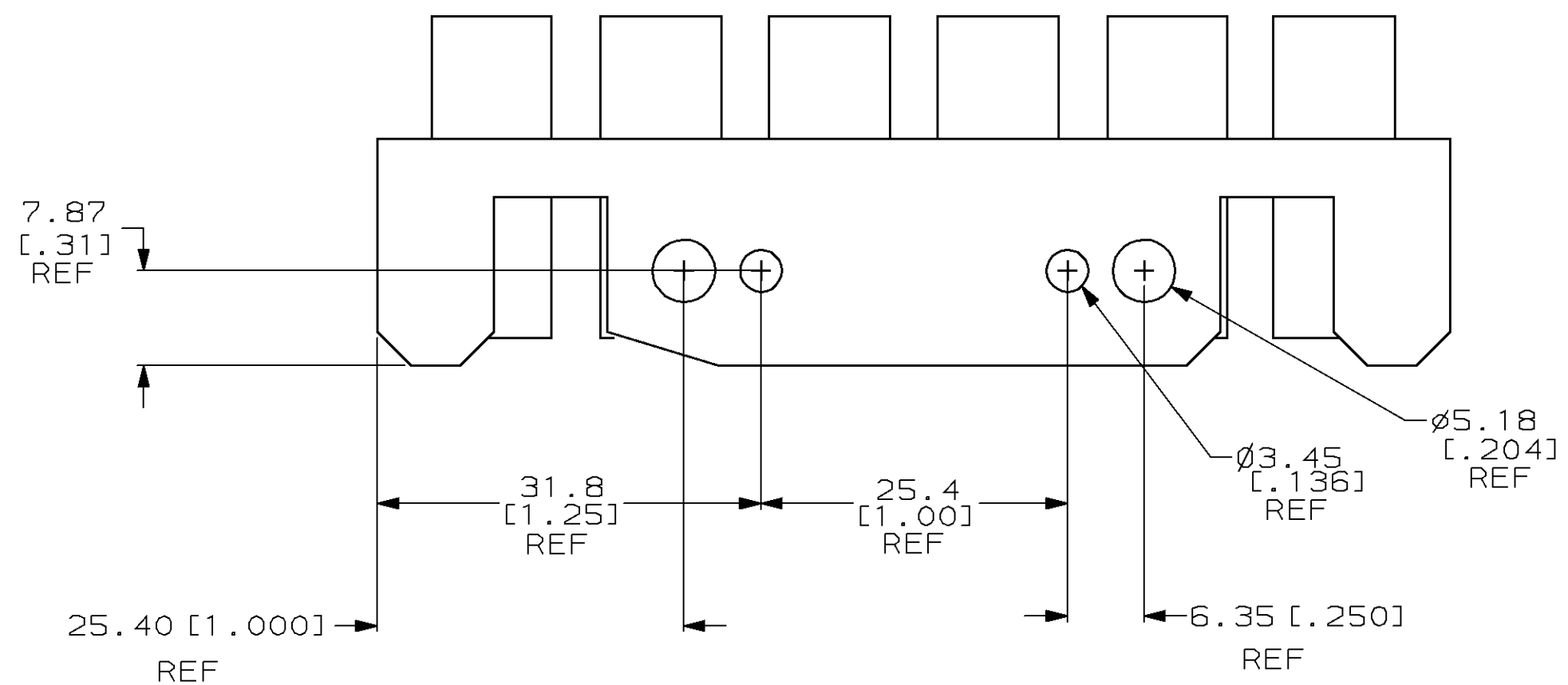
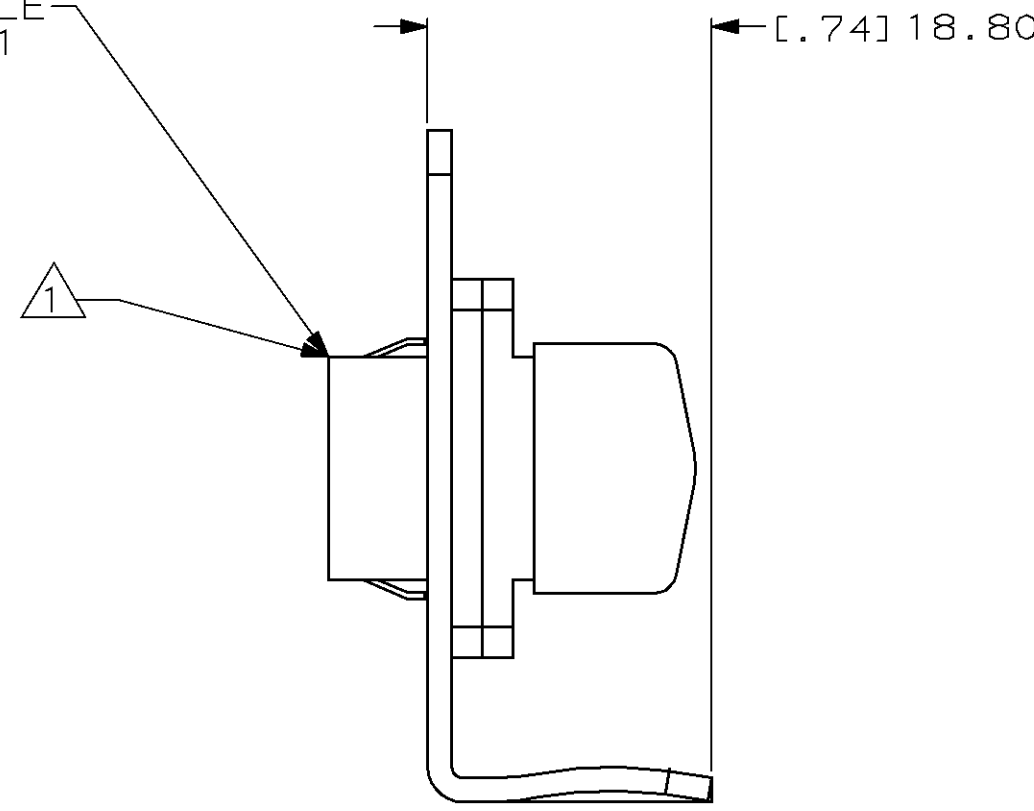
THIS DRAWING IS UNPUBLISHED. RELEASED FOR PUBLICATION  
 BY AMP INCORPORATED. ALL RIGHTS RESERVED.

LOC	DIST	REVISIONS			
P	LTR	DESCRIPTION	DATE	DWN	APVD
CE	16				
		D	REV PER 0A00-0434-98	11AUG98	MW MB

TOP OF MOUNTING BRACKET



MPO RECEPTACLE  
P/N: 503810-1



- ① WHITE MARKING TO BE FACING TOWARDS TOP OF BRACKET.
- ② BRACKET LOADED WITH (3) MPO RECEPTACLES, IN POSITIONS 1, 2, AND 3. (NOT SHOWN)

②	504621-2
	504621-1
	PART NUMBER

<small>THIS DRAWING IS A CONTROLLED DOCUMENT FOR AMP INCORPORATED. IT IS SUBJECT TO CHANGE AND THE CONTROLLING ENGINEERING ORGANIZATION SHOULD BE CONTACTED FOR THE LATEST REVISION.</small>		DWN	R.HILEMAN	6-6-95		AMP Incorporated	
DIMENSIONS: mm [INCHES]		CHK	J.SABO	6-7-95		Harrisburg, PA 17105-3608	
<small>TOLERANCES UNLESS OTHERWISE SPECIFIED:</small>		APVD	F.ABENDSCHEIN	6-7-95	NAME		
0 PLC ±- 1 PLC ±- 2 PLC ±0.76 [.03] 3 PLC ±- 4 PLC ±- ANGLES ±- FINISH -		PRODUCT SPEC		BRACKET ASSEMBLY, MPO RECEPTACLE			
		APPLICATION SPEC		SIZE	CAGE CODE	DRAWING NO	
MATERIAL -		WEIGHT -		A2	00779	②-504621	
CUSTOMER DRAWING				SCALE	SHEET	REV	
				2:1	1 OF 1	D	

504621

A