

SAC-4P-20,0-28X/M12FS OD - Sensor/actuator cable



1416033

<https://www.phoenixcontact.com/us/products/1416033>

Please be informed that the data shown in this PDF document is generated from our online catalog. Please find the complete data in the user documentation. Our general terms of use for downloads are valid.



Sensor/actuator cable, 4-position halogen-free, free cable end, on Socket straight M12, coding: A, cable length: 20 m, for outdoor applications, with high-grade steel knurl

Your advantages

- Easy and safe: 100% electrically tested plug-in components
- Robust throughout: resistant to oil, UV, and ozone, withstands temperatures from -40°C ... +105°C

Commercial data

Item number	1416033
Packing unit	1 pc
Minimum order quantity	1 pc
Note	Made to order (non-returnable)
Sales key	BF03
Product key	BF1CCA
GTIN	4055626056494
Weight per piece (including packing)	889.8 g
Weight per piece (excluding packing)	889.8 g
Customs tariff number	85444290
Country of origin	PL

1416033

<https://www.phoenixcontact.com/us/products/1416033>

Technical data

Product properties

Product type	Sensor/actuator cable
Number of positions	4
Application	External areas
No. of cable outlets	1
Shielded	no
Coding	A

Insulation characteristics

Overvoltage category	II
Degree of pollution	3

Material specifications

Flammability rating according to UL 94	V0
Seal material	FPM
Material of grip body	PP
Contact material	CuSn
Contact surface material	Ni/Au
Contact carrier material	PP
Material for screw connection	Stainless steel

Electrical properties

Insulation resistance	$\geq 100 \text{ M}\Omega$
Nominal voltage U_N	250 V AC
	250 V DC
Nominal current I_N	4 A
Protective circuit	unwired

Mechanical properties

Mechanical data

Insertion/withdrawal cycles	≥ 100
-----------------------------	------------

Signaling

Status display	No
Status display present	No

Connection data

Conductor connection

Tightening torque	0.4 Nm (M12 connector)
-------------------	------------------------

Connector

SAC-4P-20,0-28X/M12FS OD - Sensor/actuator cable



1416033

<https://www.phoenixcontact.com/us/products/1416033>

Connection 1

Type	free cable end
------	----------------


Connection 2

Type	Socket straight M12
Number of positions	4
Coding type	A
Number of positions	4

Cable/line

Cable length	20 m
--------------	------

PE-X black [28X]

Dimensional drawing	
Cable weight	44 kg/km
Number of positions	4
Shielded	no
Cable type	PE-X black [28X]
Conductor structure signal line	28x 0.15 mm
AWG signal line	20
Conductor cross section	4x 0.5 mm ² (Signal line)
Wire diameter incl. insulation	1.6 mm ±0.05 mm (Signal line)
External cable diameter	5.2 mm ±0.2 mm
Outer sheath, material	PE-X
External sheath, color	black-gray RAL 7021
Conductor material	Bare Cu litz wires
Material wire insulation	PE-X
Single wire, color	brown, white, blue, black
Thickness, insulation	approx. 0.3 mm (Core insulation) approx. 0.6 mm (Outer cable sheath)
Overall twist	4 wires, twisted
Length of twist, overall twist	61.6 mm
Max. conductor resistance	≤ 39 Ω/km (at 20 °C)
Insulation resistance	≥ 100 MΩ*km (at 20 °C)
Nominal voltage, cable	≤ 300 V AC
Test voltage	≥ 3000 V AC
Smallest bending radius, fixed installation	26 mm

SAC-4P-20,0-28X/M12FS OD - Sensor/actuator cable



1416033

<https://www.phoenixcontact.com/us/products/1416033>

Smallest bending radius, movable installation	52 mm
Max. bending cycles	2000000
Halogen-free	in accordance with DIN VDE 0472 part 815
Flame resistance	according to DIN 60332-1-2
	according to DIN EN 50266-2-5
	according to IEC 60332-3-25 (bunched fire test)
Fume corrosiveness	according to IEC 60754
Concentration of fumes	according to DIN EN 61034
Resistance to oil	in accordance with DIN EN 60811-2-1
Other resistance	UV resistant according to DIN VDE 0276-605
Special properties	Irradiated
Ambient temperature (operation)	-40 °C ... 105 °C (cable, fixed installation)
	-15 °C ... 105 °C (Cable, flexible installation)
	120 °C (at 48 h - see test report 19233)
	180 °C (at 48 h - see test report 19233)

Environmental and real-life conditions

Ambient conditions

Degree of protection	IP65
	IP67
Ambient temperature (operation)	-40 °C ... 105 °C (Plug / socket)
	-40 °C ... 85 °C (On sudden changes in temperature (according to IEC 60512-11-4))

Standards and regulations

M12

Standard designation	M12 connector
Standards/specifications	IEC 61076-2-101

SAC-4P-20,0-28X/M12FS OD - Sensor/actuator cable

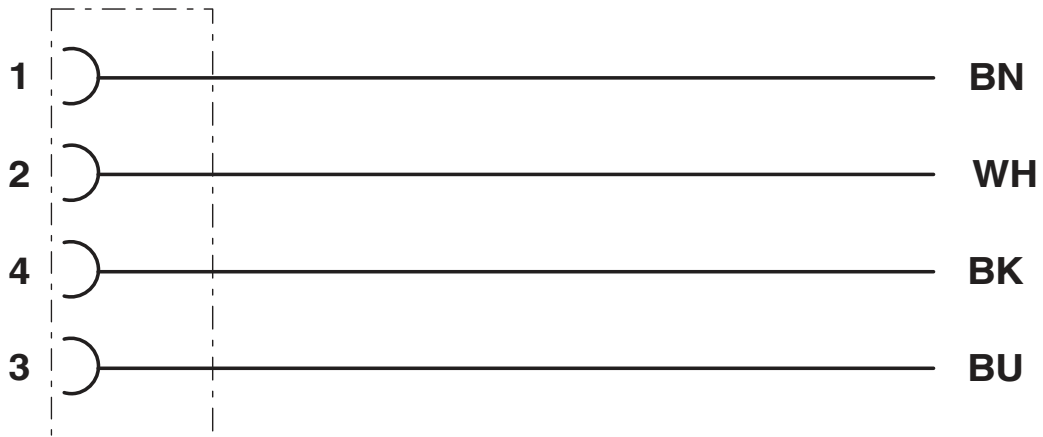


1416033

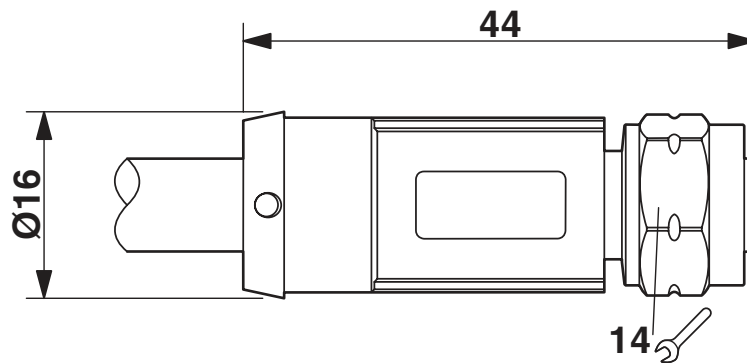
<https://www.phoenixcontact.com/us/products/1416033>

Drawings

Circuit diagram



Dimensional drawing



M12 x 1 socket, straight

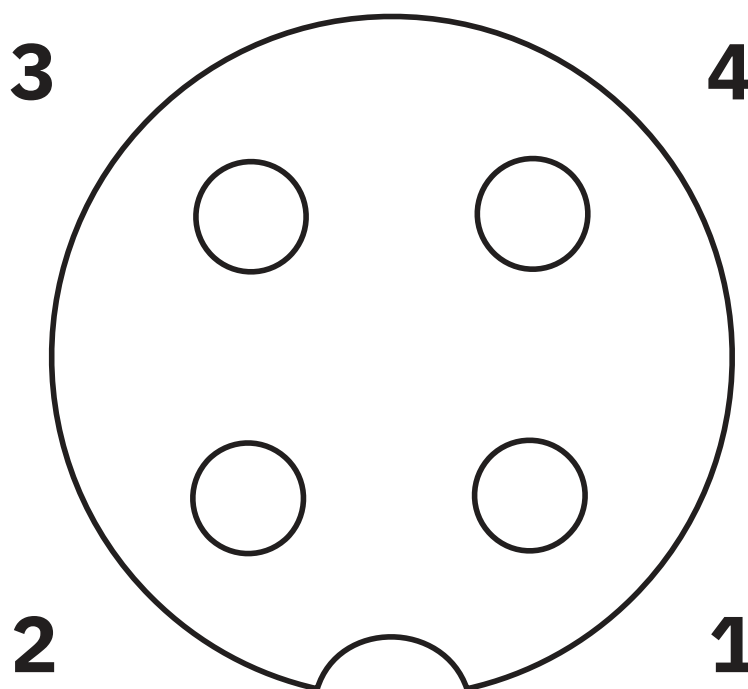
SAC-4P-20,0-28X/M12FS OD - Sensor/actuator cable



1416033

<https://www.phoenixcontact.com/us/products/1416033>

Schematic diagram



Pin assignment M12 socket, 4-pos., A-coded, view female side

SAC-4P-20,0-28X/M12FS OD - Sensor/actuator cable



1416033

<https://www.phoenixcontact.com/us/products/1416033>

Classifications

ECLASS

ECLASS-11.0	27060311
ECLASS-12.0	27060311
ECLASS-13.0	27060311

ETIM

ETIM 8.0	EC001855
----------	----------

UNSPSC

UNSPSC 21.0	26121600
-------------	----------

SAC-4P-20,0-28X/M12FS OD - Sensor/actuator cable



1416033

<https://www.phoenixcontact.com/us/products/1416033>

Environmental product compliance

China RoHS	Environmentally friendly use period: unlimited = EFUP-e
	No hazardous substances above threshold values

SAC-4P-20,0-28X/M12FS OD - Sensor/actuator cable



1416033

<https://www.phoenixcontact.com/us/products/1416033>

Accessories

SACC-M12MS-4QO-0,75-VA - Connector

1440779

<https://www.phoenixcontact.com/us/products/1440779>



Connector, Universal, 4-position, Plug straight M12, A, Insulation displacement connection, knurl material: Stainless steel 1.4404, external cable diameter 4 mm ... 8 mm

TSD 04 SAC - Torque screwdriver

1208429

<https://www.phoenixcontact.com/us/products/1208429>



Torque screwdriver, with preset torque of 0.4 Nm and 4 mm hexagonal drive for M12 connectors

SAC-4P-20,0-28X/M12FS OD - Sensor/actuator cable



1416033

<https://www.phoenixcontact.com/us/products/1416033>

TSD-M 1,2NM - Torque screwdriver

1212224

<https://www.phoenixcontact.com/us/products/1212224>



Torque screw driver, accuracy as per EN ISO 6789 standard, adjustable from 0.3 - 1.2 Nm

TSD-M SAC-BIT ADAPTER - Adapter insert

1212600

<https://www.phoenixcontact.com/us/products/1212600>



Adapter bit for TSD-M...torque tools, E6.3-1/4" drive with 4 mm hexagon to accommodate SAC bits

SAC-4P-20,0-28X/M12FS OD - Sensor/actuator cable



1416033

<https://www.phoenixcontact.com/us/products/1416033>

SAC BIT M12-W14 - Tool

1212513

<https://www.phoenixcontact.com/us/products/1212513>

Nut for assembling sensor/actuator cables with M12 connector and M12 connectors for assembly, with a hexagonal knurl wrench size of 14 mm, with 4 mm hexagonal drive



Phoenix Contact 2023 © - all rights reserved

<https://www.phoenixcontact.com>

Phoenix Contact USA
586 Fulling Mill Road
Middletown, PA 17057, United States
(+717) 944-1300
info@phoenixcon.com