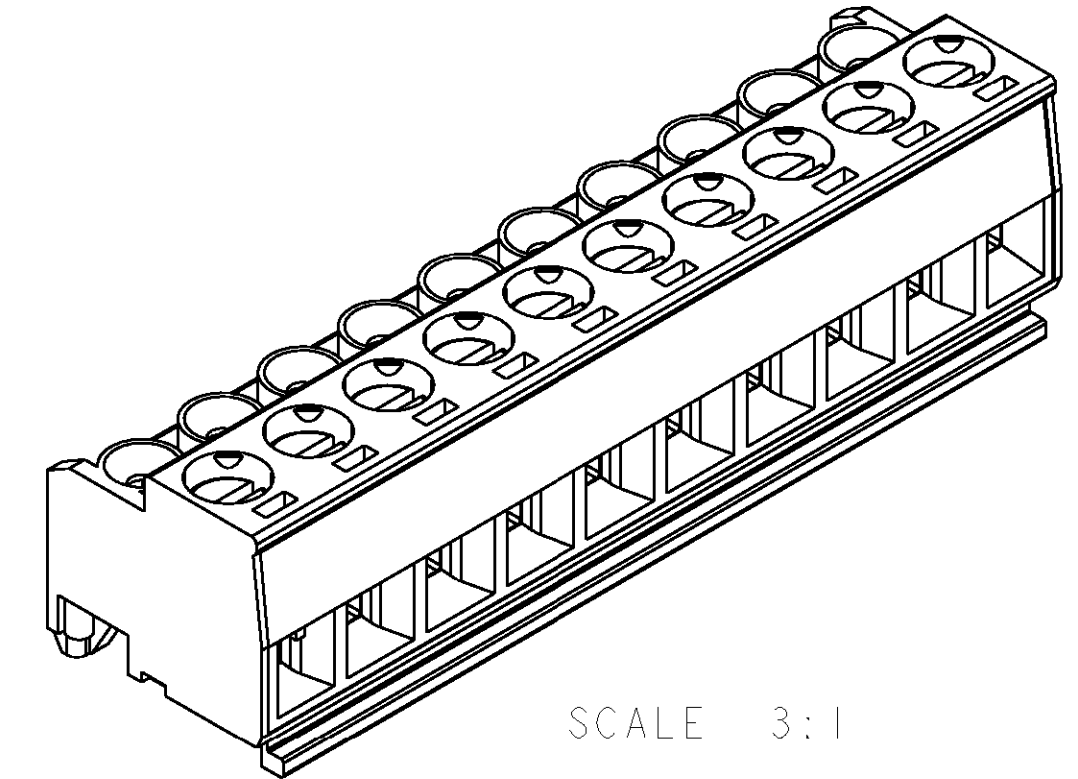
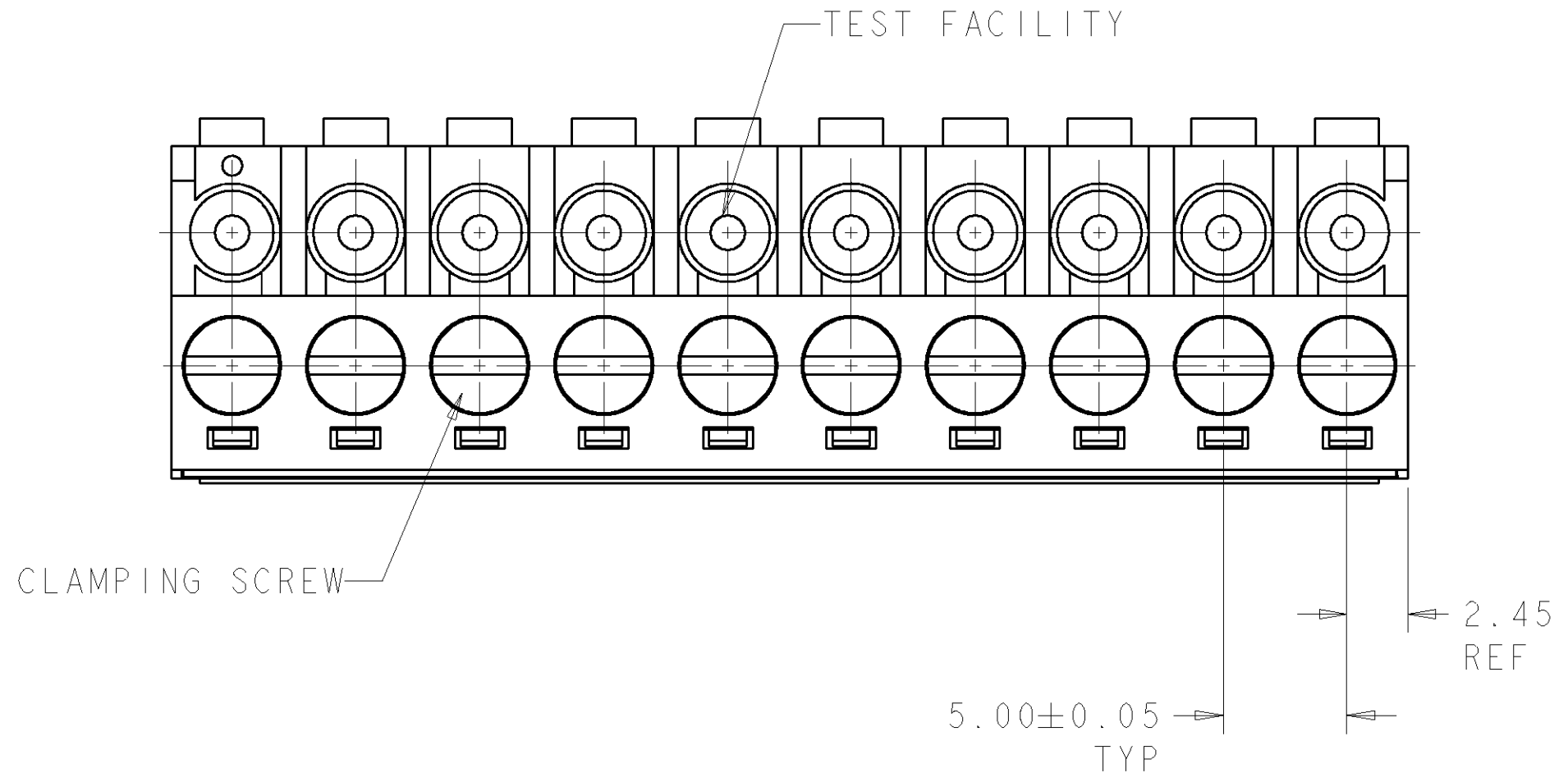
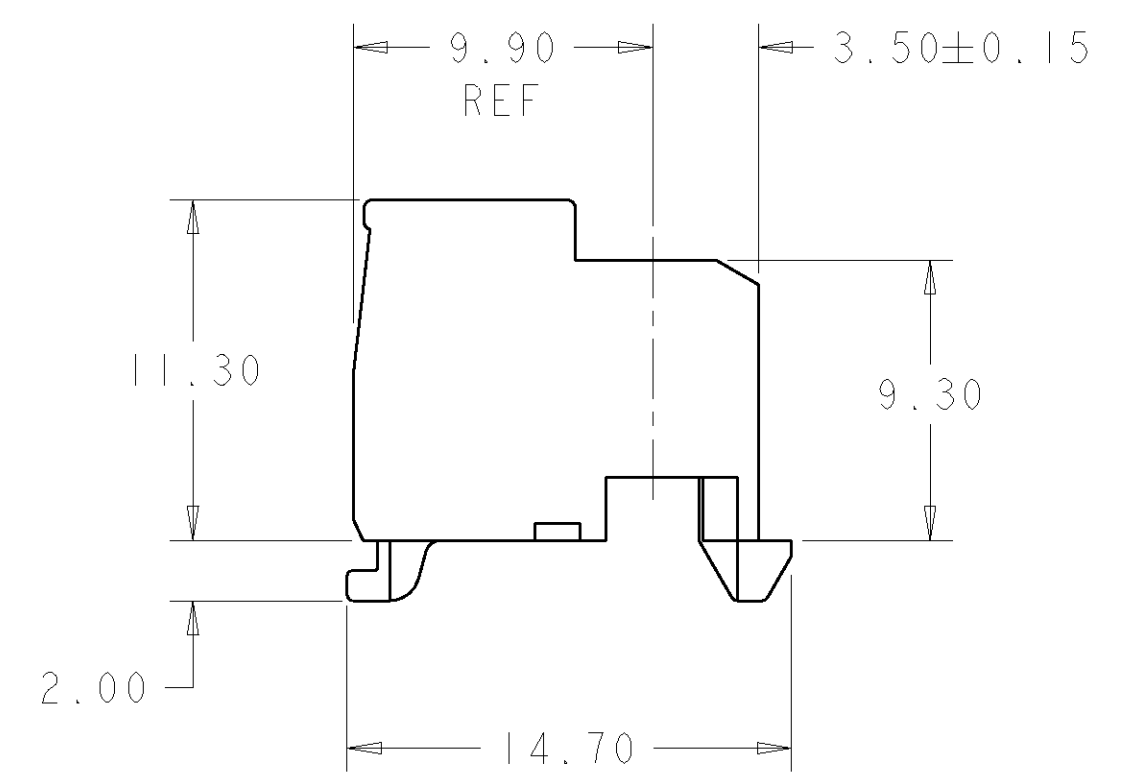
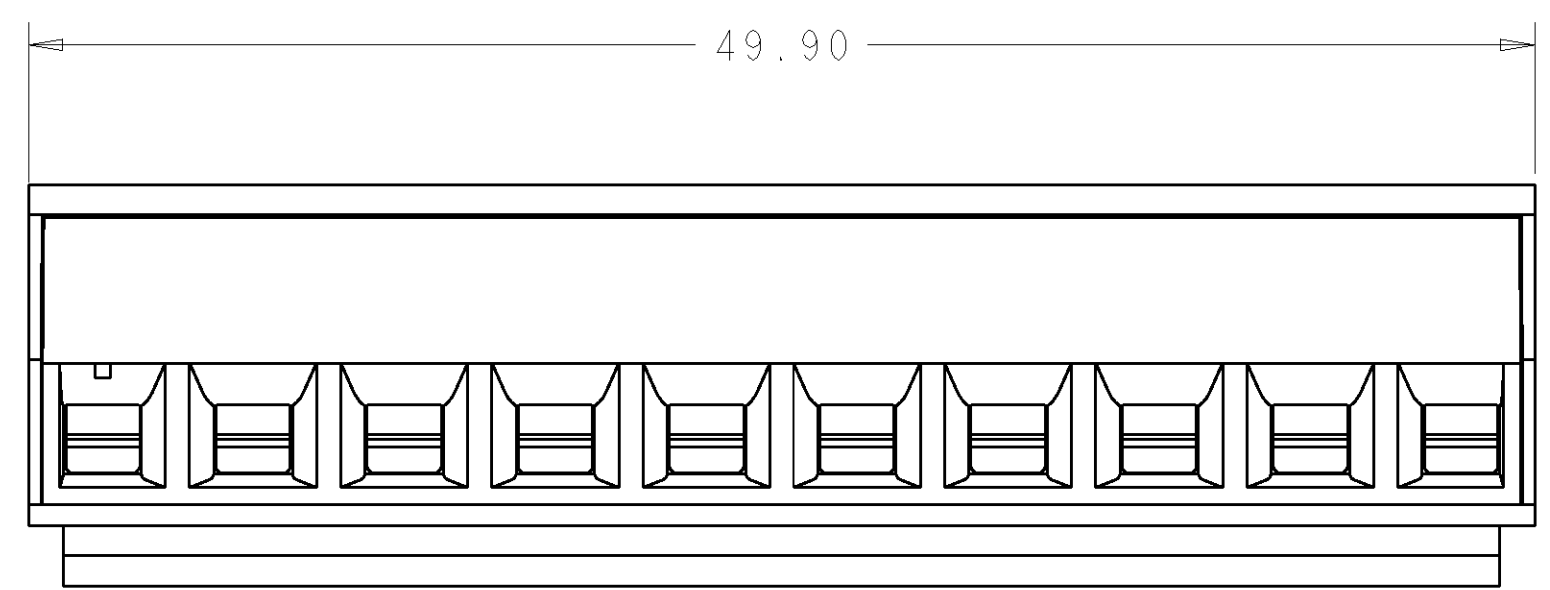


THIS DRAWING IS UNPUBLISHED. RELEASED FOR PUBLICATION 20
 © COPYRIGHT 20 BY TYCO ELECTRONICS CORPORATION. ALL RIGHTS RESERVED.

LOC	DIST	REVISIONS				
P	LTR	DESCRIPTION	DATE	DWN	APVD	
FT	0	0	RELEASED EC 063B-0574-04	12JUL2004	SW	CR



SCALE 3:1



△ MATERIAL AND FINISH
 HOUSING: PA 6/6, UL 94V-0 RATED, COLOR: GREEN.
 CLAMP: BRASS, NICKEL PLATED.
 TERMINAL: BRASS, NICKEL PLATED.
 CONTACT SPRING: PHOSPHOR BRONZE: TIN PLATED.
 CLAMPING SCREW: BRASS, NICKEL PLATE.

- 2. END-TO-END STACKABLE WITHOUT LOSS OF CENTERLINE SPACING.
- 3. WIRE RANGE: 14-30 AWG.

10	1-1776111-0
NO OF POSN	PART NUMBER

THIS DRAWING IS A CONTROLLED DOCUMENT FOR TYCO ELECTRONICS CORPORATION. IT IS SUBJECT TO CHANGE AND THE CONTROLLING ENGINEERING ORGANIZATION SHOULD BE CONTACTED FOR THE LATEST REVISION.		DWN S. WELDON 12JUL2004	BUCHANAN Tyco Electronics Harrisburg, PA 17105-3608
DIMENSIONS:		CHK C. RICHARD 12JUL2004	
mm		APVD C. RICHARD 12JUL2004	
TOLERANCES UNLESS OTHERWISE SPECIFIED:		PRODUCT SPEC	
0 PLC ±		APPLICATION SPEC	NAME TERMINAL BLOCK ASSEMBLY, PLUG 90 DEGREE, STACKING, 5.00mm PITCH
1 PLC ±0.3		WEIGHT	SIZE A200779
2 PLC ±0.25		CUSTOMER DRAWING	CAGE CODE C-1776111
3 PLC ±0.000		SCALE 4:1	DRAWING NO 1776111
4 PLC ±0.000		SHEET 1 OF 1	RESTRICTED TO
ANGLES ±		REV 0	
FINISH			