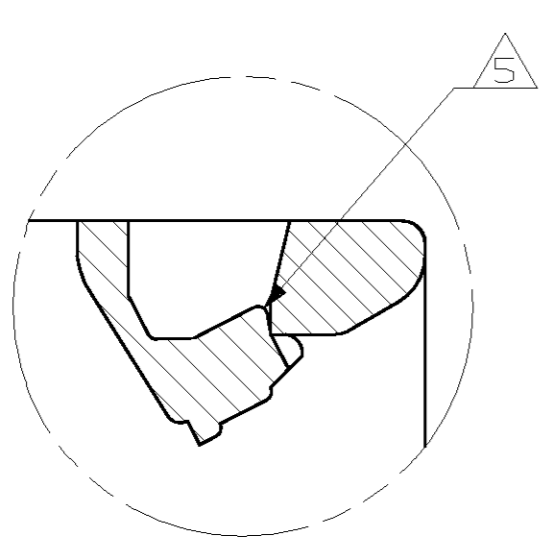
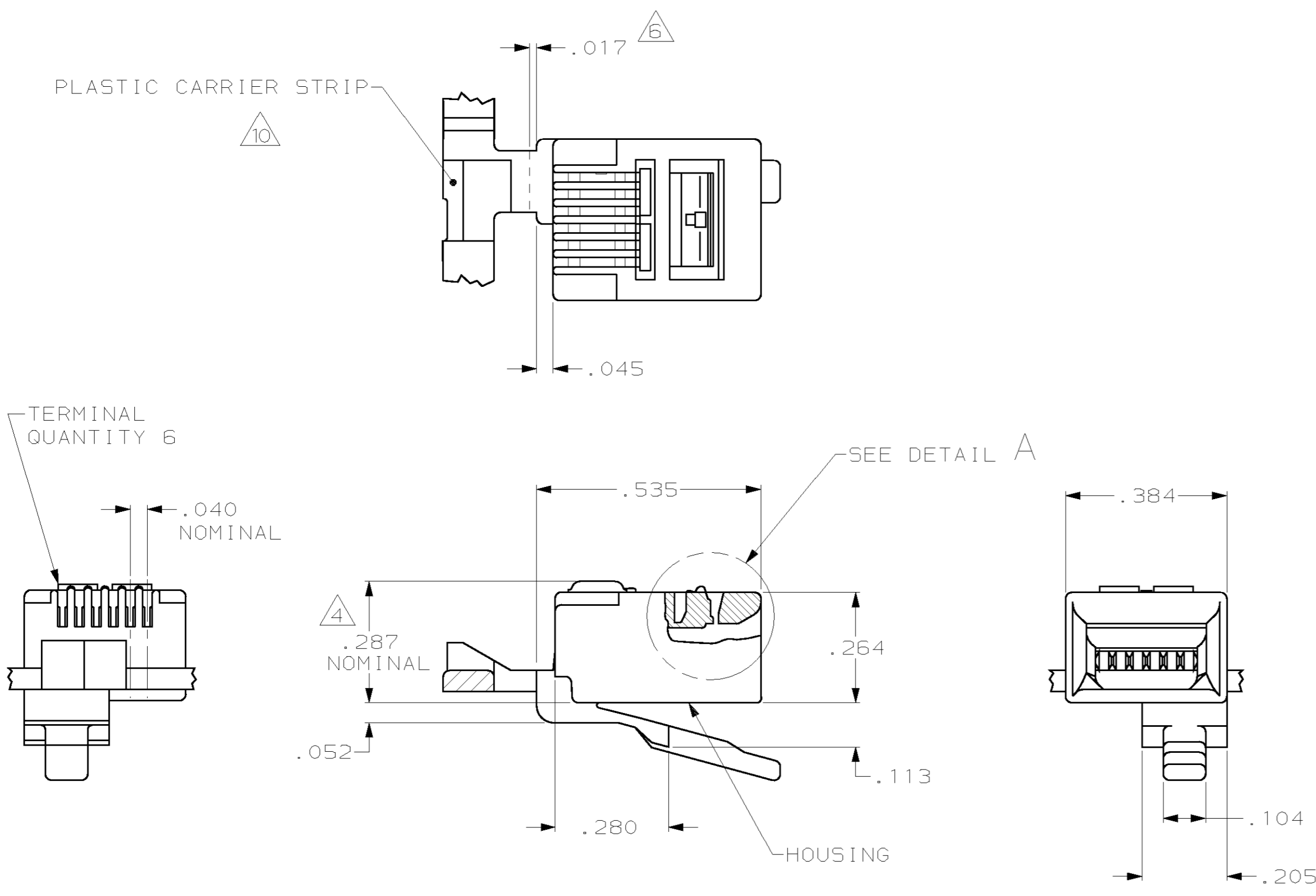


THIS DRAWING IS UNPUBLISHED. RELEASED FOR PUBLICATION .19  
 © COPYRIGHT 19 BY AMP INCORPORATED. ALL RIGHTS RESERVED.

LOC	DIST	REVISIONS			
P	LTR	DESCRIPTION	DATE	DWN	APVD
AA	22	E	REVISED; EC 0U1C-0159-00	17-AUG-00	DLD CMB



- ALL DIMENSIONS SHOWN ARE MAXIMUM UNLESS OTHERWISE SPECIFIED.
- MATERIAL: HOUSING - POLYCARBONATE CLEAR. TERMINAL - .014 THICK PHOSPHOR BRONZE PLATED WITH .00005 THICK GOLD IN LOCALIZED GOLD PLATE AREA, GOLD FLASH OVER THE REMAINDER OVER .000100 THICK NICKEL UNDERPLATE.
- PLUG WILL ACCEPT 26 OR 28 AWG STRANDED WIRE WITH A .030-.039 CONDUCTOR DIAMETER WITH A MAXIMUM ROUND CABLE JACKET DIAMETER OF .180.
- TERMINATED DIMENSION: .242 MAXIMUM.
- LATCH SHALL BE IN POSITION SHOWN IN DETAIL 'A' AFTER CRIMPING.
- CUTOFF DIMENSION FOR LOOSE PIECE PARTS ONLY.
- 100 PIECES PER BOX, 10 BOXES PER CARTON.
- 25 PIECES PER BAG, 40 BAGS PER CARTON.
- MOD PLUG IS CUTOFF FROM THE PLASTIC CARRIER STRIP BY THE FACTORY WHEN LOOSE PIECE PART NUMBERS ARE ORDERED.

SIZE	CAGE CODE	DRAWING NO	RESTRICTED TO
9		LOOSE PIECE	5-555238-3
8		LOOSE PIECE	5-555238-2
		REELED	REELED ON STRIP 555238-1
		PACKAGED	DESCRIPTION PART NUMBER

THIS DRAWING IS A CONTROLLED DOCUMENT.		DWN DL DRUMMOND 12-APR-00	AMP Incorporated Harrisburg, PA 17105-3608	
DIMENSIONS: INCHES		CHK DL DRUMMOND 12-APR-00	NAME E. LAURER	
TOLERANCES UNLESS OTHERWISE SPECIFIED:		APVD E. LAURER 12-APR-00	PRODUCT SPEC 108-1163	
0 PLC ±-		APPLICATION SPEC 114-6016		SIZE A2
1 PLC ±-		WEIGHT -		CAGE CODE 00779
2 PLC ±-		CUSTOMER DRAWING		DRAWING NO C-555238
3 PLC ±-		SCALE 4:1		SHEET 1 OF 1
4 PLC ±-		REV E		
ANGLES ±-				
FINISH				

555238