

SeerSense™ DS80 Module

Edge computing VSLAM, AI, and CV engines

Package



SeerSense™ DS80



SDK



Tool Chain

System Spec

Item	Spec	Remark
Processor	Myriad X	Intel Movidius VPU
Cameras		
-Stereo	1280x800,60fps/640x400,100fps D150°/H127°/V79.7°	Mono, Global shutter 80mm baseline
-RGB	13MP (4192x3104), 30fps D79.9°/H68°/V53°	Photo: 8.2MP/13MP Video: VGA/720P/1080P @ 30fps
-TOF	640x480/320x240, 30fps D78°/H64°/V50°	0.1-4m =<1% depth error 940nm, Class 1 laser eye safety compliant
IMU	9 Axis	1000Hz fusion for VSLAM
CNN Engine	Dual engine	Parallel processing
Stereo Depth Engine	VGA/720P SGBM (Semi-Global Block Match)	50/60fps, 6.5 meter
6DoF SLAM Engine	500-1000Hz mm accuracy	On board processing Multiple working mode
Power Consumption	Avg 2.8W	
Supply Voltage	5V 3A	
Port	USB Type C	Camera Stream, Depth, AI image, 6DoF Output
	Debug Port	UART, Sync Pin
Weight Size	93g 119Lx23Dx24H	LxDxH (mm)
SDK	VIO, CSLAM, 3D reconstruction, Depth/Point Cloud (SGBM/TOF) Object detection, Gesture, Plane detection, RGBD camera	
Tool Chain	Open VINO, Open CV, Xvsdk-viewer Demo Tool	

Innovating machine perception capability beyond human capacity

www.xvisiotech.com | +86 21 5290 0903 | contact@xvisiotech.com



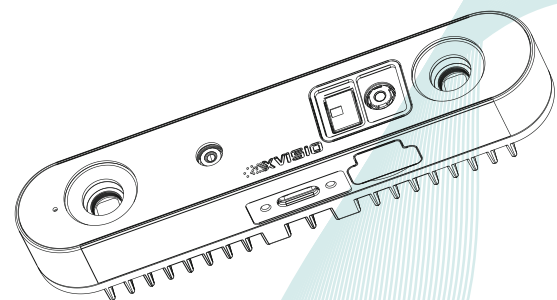
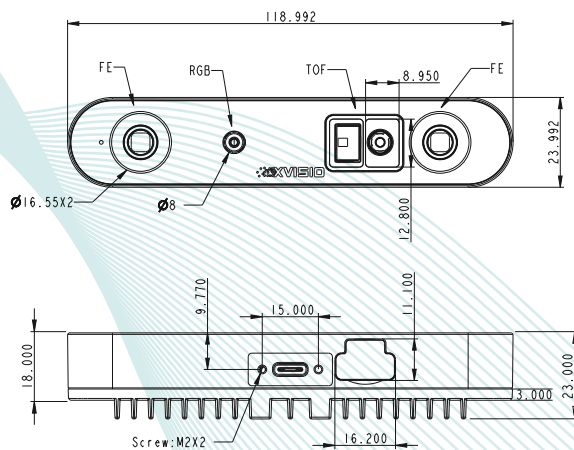
RGB Camera

Type C Port

Debug Port

TOF Camera

Fisheye Camera x 2



Dimensions (mm)

Key Benefits

- One-stop solution for VSLAM, depth, vision AI, CV edge computing
- Multiple OS support for wide range of deployment
- Both passive (SGBM) and active (TOF) depth engine on one device
- Edge computing to offload host resource loading
- Feature-rich SDKs and tool kit for fast development
- Compact, portable, and low power consumption

Innovating machine perception capability beyond human capacity

www.xvisiotech.com | +86 21 5290 0903 | contact@xvisiotech.com