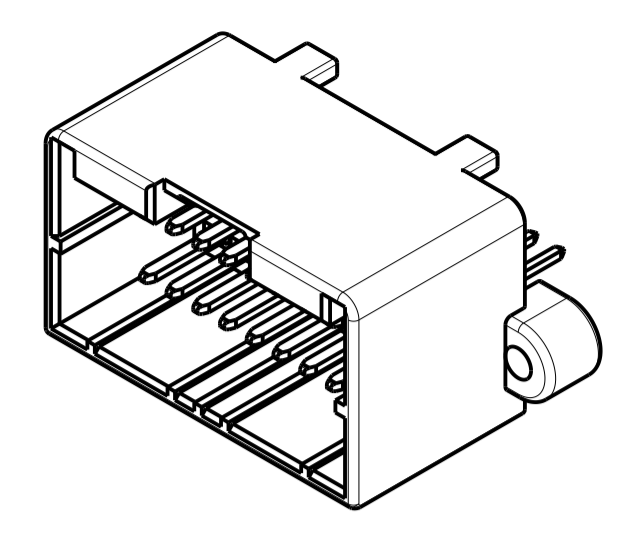
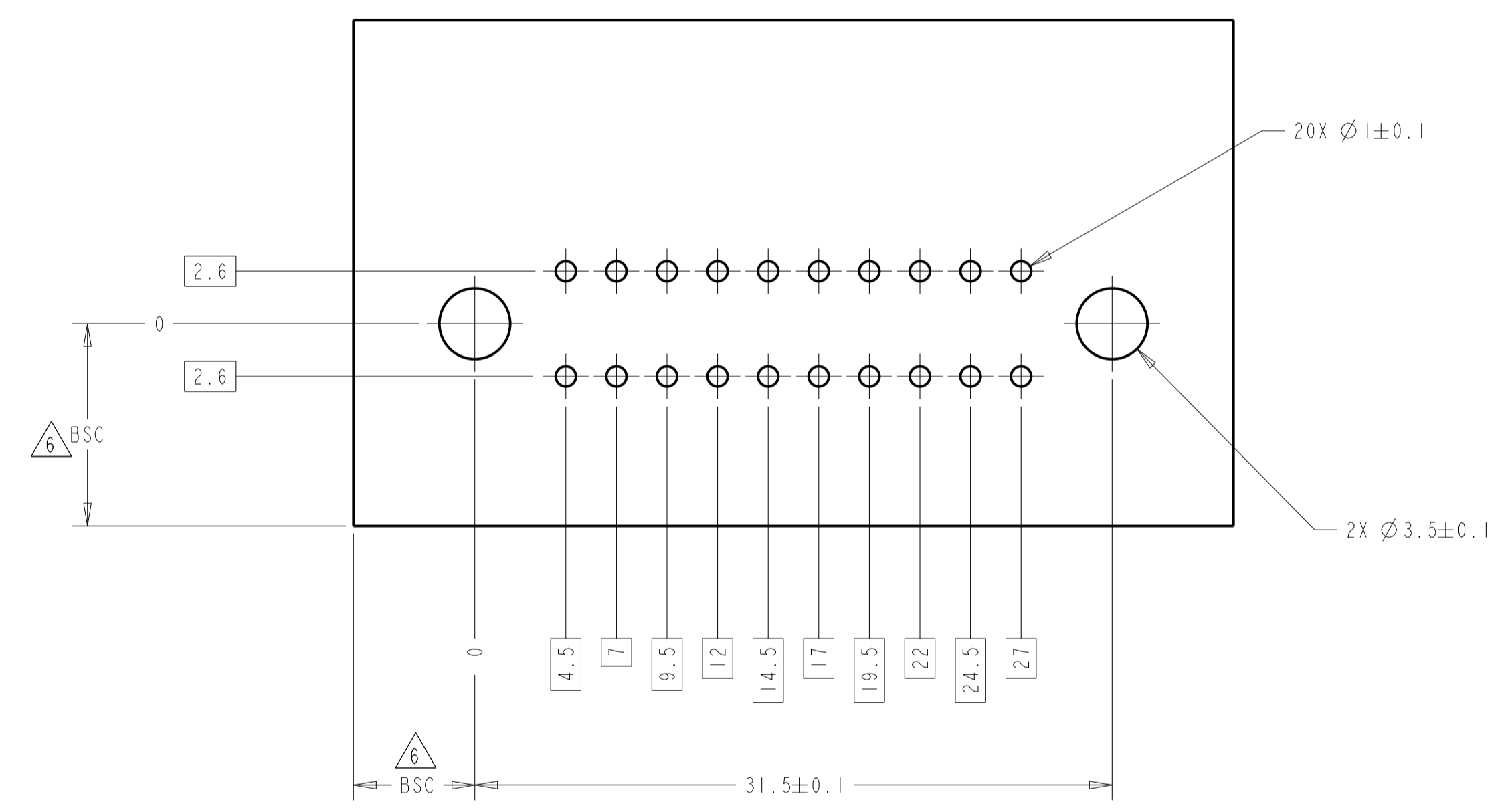
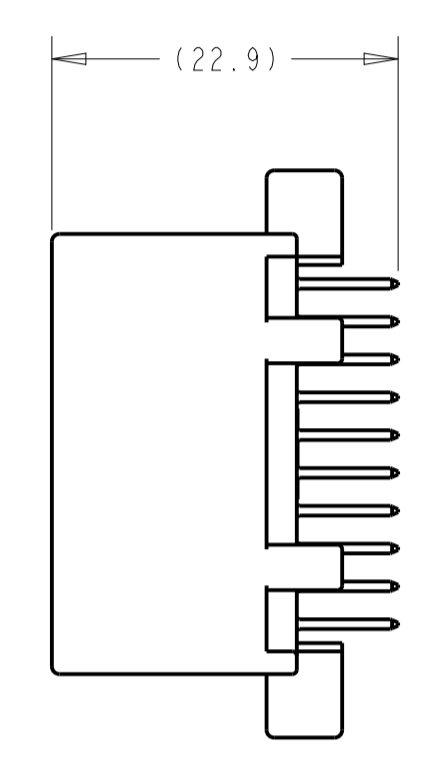
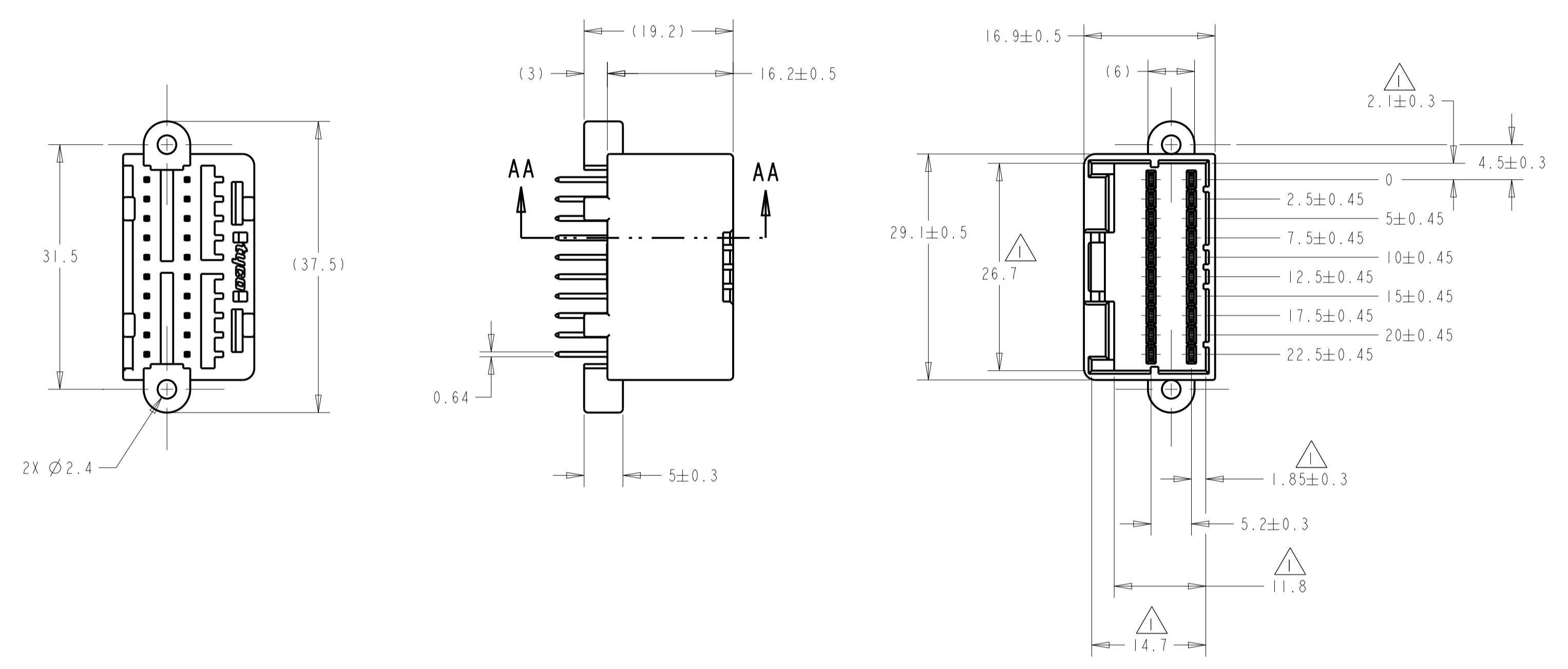


REVISIONS				
P.	LTR.	DESCRIPTION	DATE	APP'D
0		RELEASED PER EC 0K80-0502-04	03JAN2005	DLD SSA
A		REVISED PER ECR-06-008947	09MAY2006	AH SA
A1		REV PER ECO-20-011283	12AUG2020	GTG MT

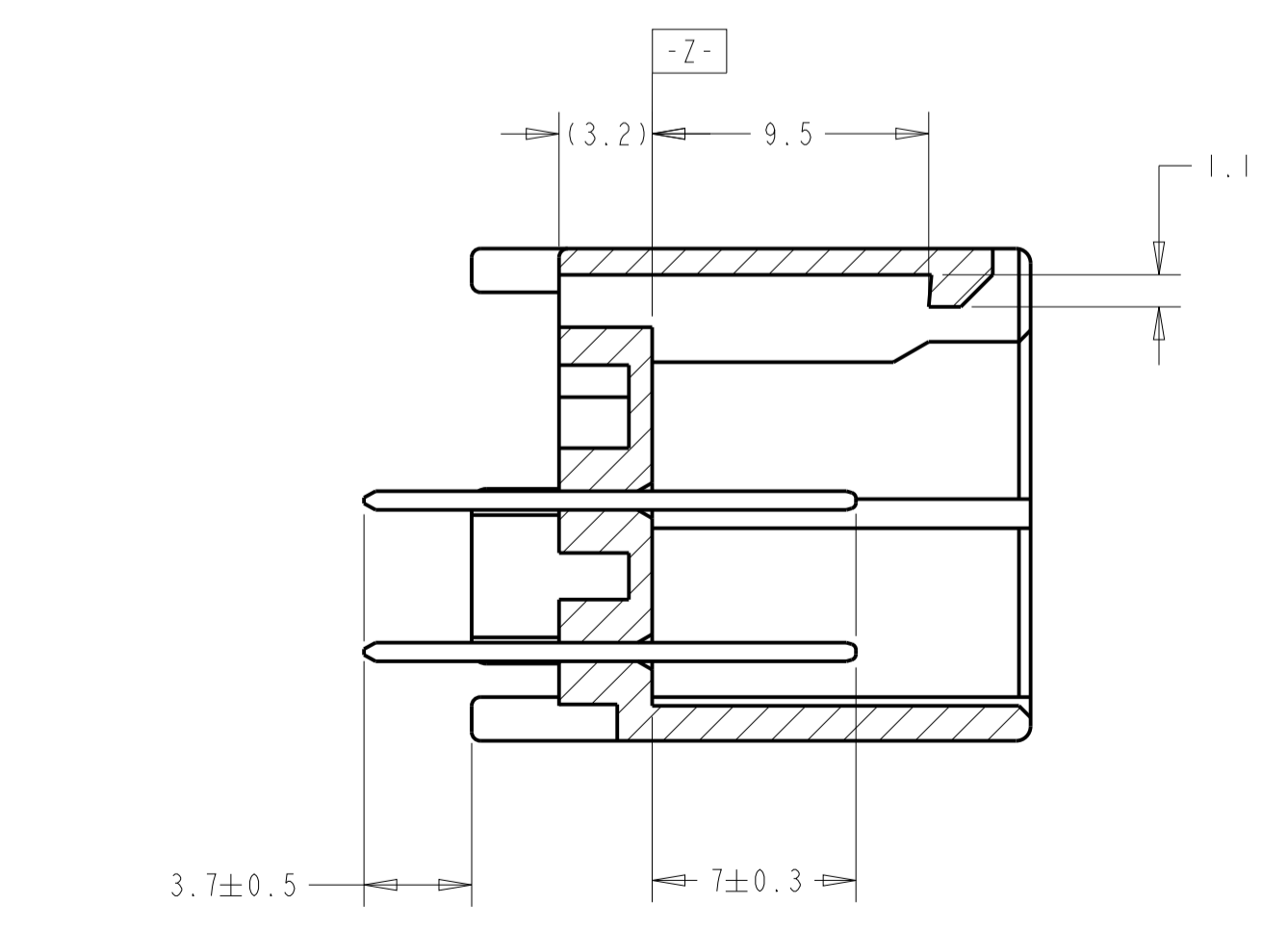


SCALE 2:1

- 1. TO BE MEASURED WITHIN 2mm FROM \square -Z-
- 2. APPLICABLE P.C. BOARD THICKNESS: 1.6mm.
- 3. MATING PLUG HOUSING PART NUMBER: 174047.
- 4. RECOMMENDED MOUNTING SCREW: 3mm DIA, 6mm LENGTH TAPPING SCREW SPECIFIED IN JIS B1115, B1122 (TIGHTENING TORQUE: 0.8Nm MAX).
- 5. SIMILAR TO 174977.
- 6. BASIC DIMENSIONS ESTABLISHED BY CUSTOMER.



P.C. BOARD LAYOUT
RECOMMENDED THICKNESS: 1.6mm
TOLERANCE: \pm 0.1
SCALE 4:1



SECTION AA-AA
SCALE 4:1

OBSELETE

PACKAGING	MATERIAL	FINISH	MATERIAL	HOUSING	COLOR	PART NUMBER
SINGLE TUBE	BRASS	PRE-TINNED	PBT	BLACK	1438720-3	
MULTI-TUBE	BRASS	POST-TINNED	PBT	BLACK	2-1438720-2	
	BRASS	PRE-TINNED	PBT	GREEN	1438720-4	
PACKAGING	BRASS	PRE-TINNED	PBT	BLACK	1438720-2	
	CONTACT HOUSING					

THIS DRAWING IS A CONTROLLED DOCUMENT.

OWN: R. VESTAL 04AUG2004
CHK: S. ASHLEY 04AUG2004
APP'D: S. ASHLEY 04AUG2004

TE Connectivity

NAME: CAP HOUSING ASSEMBLY, 20 POSITION, VERTICAL, .040 SERIES, MULTILOCK I/O CONNECTOR

PRODUCT SPEC: 108-5244
APPLICATION SPEC: -

SIZE: - CAGE CODE: - DRAWING NO: A1 00779 ©=1438720

RESTRICTED TO: -

WEIGHT: 5.9g

CUSTOMER DRAWING

SCALE: 2:1 SHEET 1 OF 1 REV: A1