

Adaptor-5V1A SPECIFICATION

Adapter Specification Sheet



4D SYSTEMS
TURNING TECHNOLOGY INTO ART

| | | | |
|-----------------|----------------------|---|--|
| PRODUCT | ADAPTOR-5V1A | BASED ON THE STANDARD OF CE FCC UL KCC SAA C-TICK ROHS | |
| INPUT | AC:100-240V DC: 5V1A | | |
| ADAPTERS | | | |
| VER | A1 | | |
| DATE | 11/04/2014 | | |

| YHY | DESCRIPTION | SWITCHING POWER | SHEET NO. | |
|------------|-------------------------------------|--------------------|--------------|----|
| | ADAPTERS | | VER: | A1 |
| | | | PART NO. | |
| | 1.INPUT REQUIREMENT | | | |
| | 2.OUTPUT SPECIFICATION | | | |
| | 3.MECHANICAL | | | |
| | 4.RELIABILITY | | | |
| | 5.ENVIRONMENT | | | |
| | 6.OUTLOOKING | | | |
| | 7.SAFETY | | | |
| | 8. QC CHECK | | | |
| | 9. Production of appearance drawing | | | |
| | 10. Label | | | |
| | 11.circuit drawing | | | |
| | 12.Packing | | | |

| | | | | |
|------------|--------------------|----------------------------|---------------------|-----------|
| YHY | DESCRIPTION | SWITCHING POWER | SHEET NO | |
| | | | VER: | A1 |
| | ADAPTERS | | PART NO. | |

| 1.INPUT REQUIREMENT | | | | |
|--------------------------|---|--------|-------------------|--------|
| ITEM | SPECIFICATION | MIN | TYP. | MAX |
| NORMAL AC INPUT VOLTAGE | SINGLE PHASE | 100Vac | 100Vac/ 240Vac | 240Vac |
| AC INPUT VOLTAGE RANGE | SINGLE PHASE | 90Vac | 100Vac/ 240Vac | 264Vac |
| AC INPUT FREQUENCY | SINGLE PHASE | 47Hz | 50/60Hz | 63Hz |
| AC INPUT CURRENT | TYPICAL INPUT VOLTAGE& OUTPUT AT FULL LOAD. | | | 800mA |
| AC INRUSH CURRENT | TYPICAL INPUT VOLTAGE& OUTPUT AT FULL LOAD , 25°C. | | | 20A |
| EFFICIENCY | TYPICAL INPUT VOLTAGE& OUTPUT AT FULL LOAD | 80% | | |
| 2.OUTPUT SPECIFICATION | | | | |
| ITEM | SPECIFICATION | MIN | TYP. | MAX |
| NORMAL DC OUTPUT VOLTAGE | | | 5Vdc | |
| DC OUTPUT VOLTAGE RANGE | TYPICAL OUTPUT VOLTAGE ±5% | 4.75V | | 5.25V |
| LOAD CURRENT RANGE | | 0A | | 1A |
| PEAK LOAD CURRENT | TIME<60S | | | 1.5A |
| RIPPLE | TYPICAL INPUT VOLTAGE , TYPICAL LOAD CURRENT , 25°C | | | 50mV |
| HOLD-UP TIME | AT TYPICAL INPUT VOLTAGE AND FULL LOAD | 10mS | | |
| TURN-ON DELAY | TYPICAL INPUT VOLTAGE AND TYPICAL LOAD CURRENT | | | 3S |
| OVER CURRENT PROTECTION | AUTO RECOVERY | | | 1.5A |

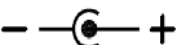
| | | | | |
|---------------------------------|---|--|--|----|
| SHORT CIRCUIT PROTECTRON | THE ADAPTER SHALL NOT DAMAGE BY SHORT THE DC OUTPUT TO GROUND | | | |
| OVER VOLTAGE PROTECTION | | | | 8V |
| TEST MEASURES: | | | | |
| | | | | |
| C1: 0.1uF CERAMICS CAPACITOR | | | | |
| C2: 10uF 50V ALUMINUM CAPACITOR | | | | |

| | | | | |
|------------|--------------------|------------------------|-----------------|-----------|
| YHY | DESCRIPTION | SWITCHING POWER | SHEET NO | |
| | | | VER: | A1 |
| | ADAPTERS | | PART NO. | |

| 3.MECHANICAL | | | | |
|---------------|---|---|--|--|
| ITEM | SPECIFICATION OR TEST CONDITION | ACCEPTANCE CRITERIA | | |
| BENDING TEST | NORMAL TEMPERATURE | NO SHORT CIRCUIT | | |
| | THE CORD SHALL WITHSTAND WEIGHT OF 200g, SWINGING FROM | NO BREAKAGE OF THE CORD | | |
| | LEFT TO RIGHT AT AN ANGLE OF 60 DEG. 1000CYCLE TIMES MIN. | | | |
| | S/R SHALL WITHSTAND WEIGHT OF 1N. SWINGING FROM LEFT TO | | | |
| | RIGHT AT AN ANGLE OF 60DEG. 1000CYCLE TIMES MIN. | | | |
| | BENDING SPEED 40CYCLE/MINUTE | | | |
| VIBRATION | FREQUENCY RANGE:10~55Hz | THERE SHALL BE NO ABNORMALITY ON THE APPEARANCE STRUCTURE AND OPERATING | | |
| | AMPLITUDE:1.5mm | | | |
| | ACCELERATION: 1G | | | |
| | SWEEP 1 MINUTE FOR X,Y,Z,AXIS EACH | | | |
| 4.RELIABILITY | | | | |
| ITEM | TEST CONDITION | ACCEPTANCE CRITERIA | | |

| | | | | |
|-----------------------|--|----------------------|------|-------|
| TEMPERATURE UP WITH | TEST AT SURFACE OF THE CASE WITH TYPICAL | TEMPERATURE UP UNDER | | |
| TYPICAL LOAD | AC INPUT AND TYPICAL LOAD IN OUTPUT | 35 DEGREES | | |
| | 50/60Hz | | | |
| HI-POT TEST | BETWEEN INPUT&OUTPUT 3000Vac 60 SECONDS 10mA | NO DAMAGE | | |
| | IT IS BASE ON EN60950 5.2.2 TEST PROCEDURE. | | | |
| | FOR MASS PRODUCTION, IT IS TESTED BY 3.3KV/1 SECOND. | | | |
| INSULATION RESISTANCE | INPUT TO OUTPUT,DC 500V | >100MΩ | | |
| MTBF | TYPICAL INPUT&FULL LOAD , 25°C | 50000 HOURS | | |
| LIFE | TYPICAL INPUT&FULL LOAD, 40°C | 1YEARS ABOVE | | |
| | TYPICAL INPUT&FULL LOAD, 25°C | 2YEARS ABOVE | | |
| BURN-IN | AT 30°C(±10°C),NORMAL INPUT VOLTAGE | 2~4 HOURS | | |
| 5.ENVIRONMENT | | | | |
| ITEM | SPECIFICATION OR TEST CONDITION | min. | typ. | max. |
| OPERATING TEMPERATURE | | 0°C | | 40°C |
| STORAGE TEMPERATURE | | -20°C | | 85°C |
| OPERATING HUMILITY | NON-CONDENSING | 5%RH | | 90%RH |
| STORAGE HUMILITY | NON-CONDENSING | 5%RH | | 90%RH |

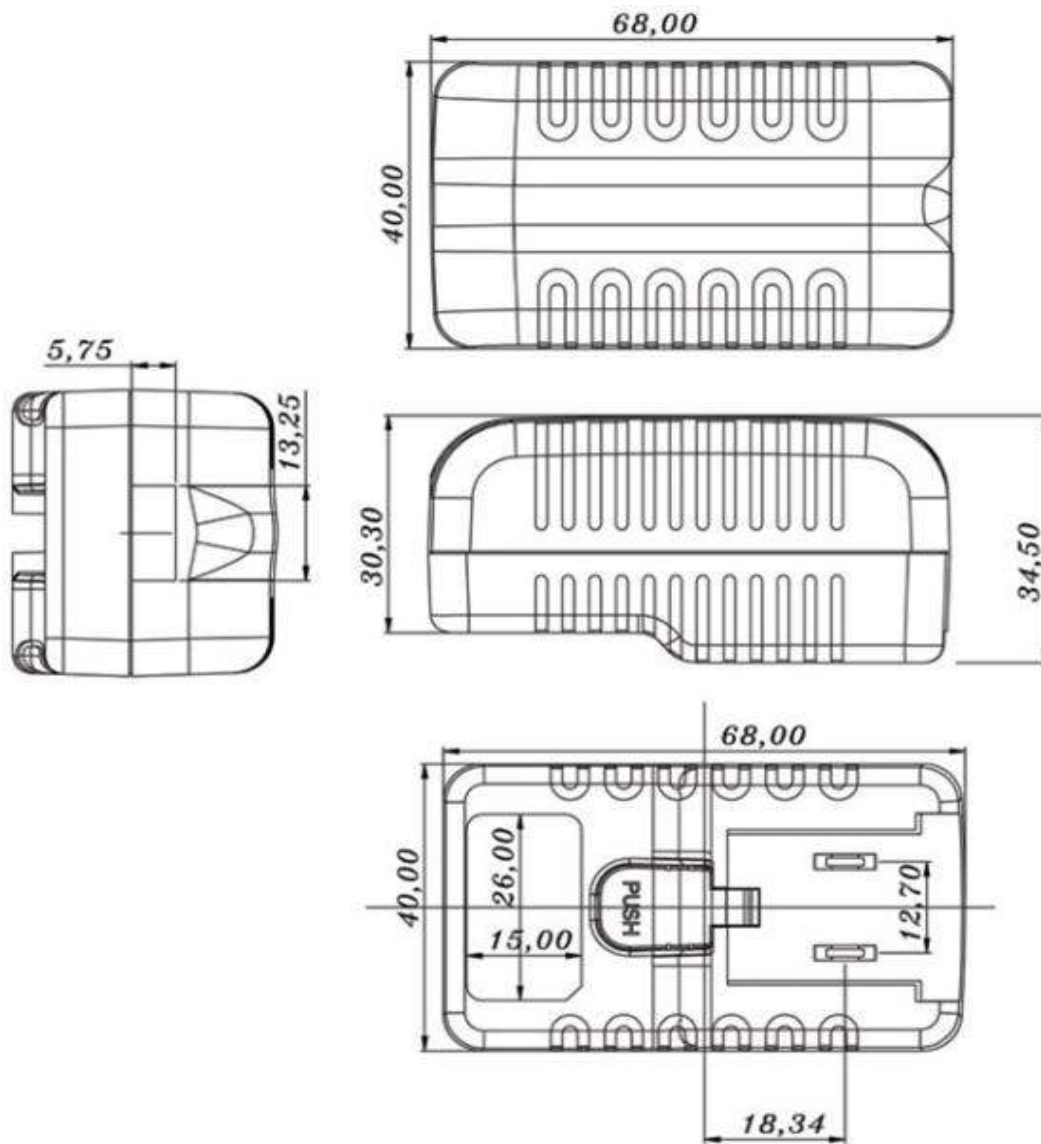
| | | | | |
|------------|--------------------|------------------|-----------------|-----------|
| YHY | DESCRIPTION | SWITCHING | SHEET NO | |
| | | POWER | VER: | A1 |
| | ADAPTERS | | PART NO. | |

| | | | | |
|--|---|-----------------|--|------------|
| 6.OUTLOOKING | | | | |
| DIMENSION | 68(L)X40(W)X35(H)mm | | | |
| WEIGHT | ABOUT 130g | | | |
| DC OUTPUT TYPE |  | | | 2.35*0.7mm |
| DC OUTPUT CABLE | DC1.5M | | | |
| INDICATION | LABEL | | | |
| CASE MATERIAL | | | | |
| PCB MATERIAL | C-5W | | | |
| 7.SAFETY | | | | |
| COMPLY SAFETY STANDARDS | STANDARD | FILE NO. | | |
| EMI | | | | |
| 8.QC CHECK | | | | |
| ALL OF THE QUANTITY SHALL BE CHECKED BEFORE SHIPMENT, CHECK ITEM AS BELOW: | | | | |
| (1)DC PLUG POLE CHECK | Miss Liu | | | |
| (2)OCP FUNCTION CHECK | Mr. Lai | | | |
| (3)DCOUTPUT VOLTAGE CHECK | Miss Lee | | | |
| (4)HIPOT&INSULATION CHECK | Mr. Chen | | | |
| (5)OUTLOOKING CHECK | Miss Lee | | | |

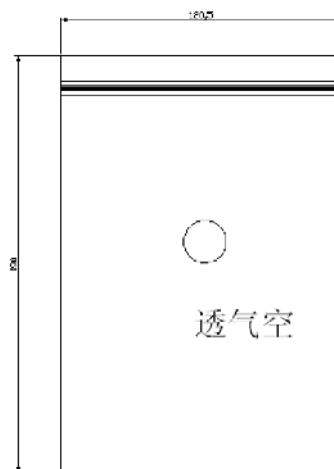
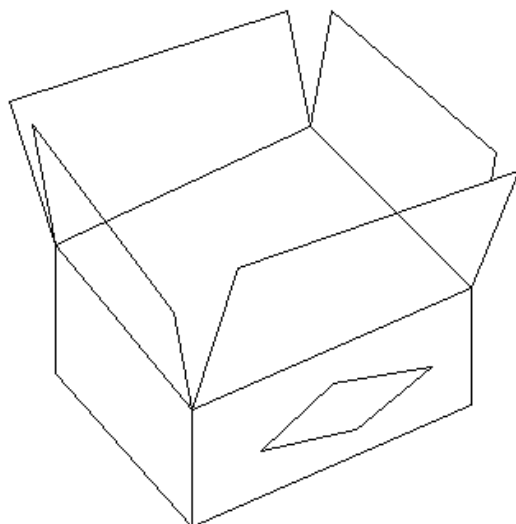
| | | | | |
|------------|-----------------|--------------------|-------------|----|
| YHY | DESCRIPTION | SWITCHING POWER | SHEET NO | |
| | | | VER: | A1 |
| | ADAPTERS | | PART NO. | |

9. Production of appearance drawing





12: packing



2. plastic bag

1. BOX

Packaging:

Outside box : L 46*W41*H24.5

bag:L190*W120

Quantity:50PCS/CTN

APPROVED BY:

CHECKED BY :

ISSUE BY: