
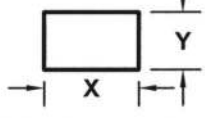

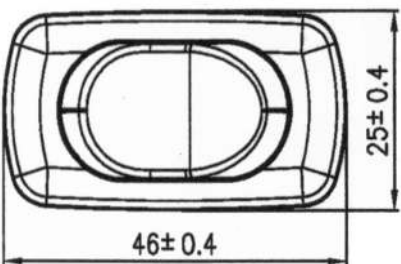


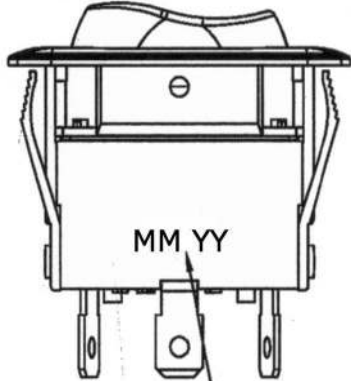
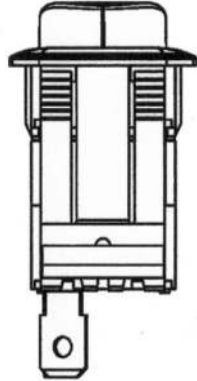
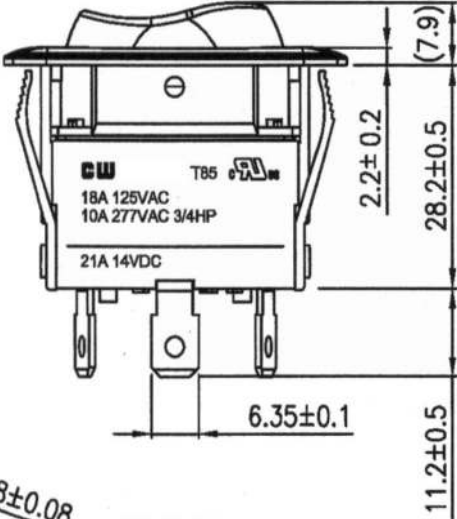
THIS INFORMATION IS CONFIDENTIAL AND PROPRIETARY TO CW INDUSTRIES INCORPORATED AND ITS AFFILIATES. IT MAY NOT BE DISCLOSED TO ANYONE, OTHER THAN CW INDUSTRIES PERSONNEL, WITHOUT WRITTEN AUTHORIZATION FROM CW INDUSTRIES INCORPORATED, SOUTHAMPTON, PENNSYLVANIA USA.

Rating	18A 125VAC, 10A 277VAC		Mounting Hole 	Circuit Diagram 												
	21A 14V DC															
Contact Resistance	50m ohm max.															
Insulation Resistance	DC 500V 100M ohm min.															
Dielectric Strength	AC 1500V 1 minute															
Operating Temperature	-20 °C ~ 85 °C															
			<table border="1"> <thead> <tr> <th>Thickness</th> <th>X</th> <th>Y</th> </tr> </thead> <tbody> <tr> <td>0.75 - 1.25</td> <td>21.2 + 0.1</td> <td>36.6 + 0.1</td> </tr> <tr> <td>1.25 - 2.00</td> <td>21.2 + 0.1</td> <td>36.8 + 0.1</td> </tr> <tr> <td>2.00 - 3.00</td> <td>21.2 + 0.1</td> <td>37.0 + 0.1</td> </tr> </tbody> </table>	Thickness	X	Y	0.75 - 1.25	21.2 + 0.1	36.6 + 0.1	1.25 - 2.00	21.2 + 0.1	36.8 + 0.1	2.00 - 3.00	21.2 + 0.1	37.0 + 0.1	SPDT ON - OFF - ON
Thickness	X	Y														
0.75 - 1.25	21.2 + 0.1	36.6 + 0.1														
1.25 - 2.00	21.2 + 0.1	36.8 + 0.1														
2.00 - 3.00	21.2 + 0.1	37.0 + 0.1														

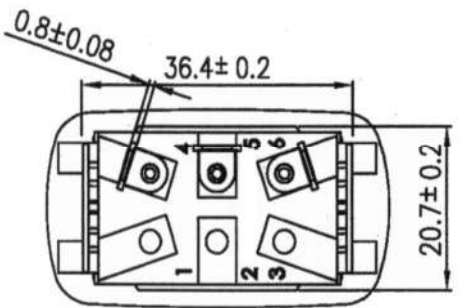
BASE COLOR: Black
BUTTON COLOR: Black



ON OFF ON



DATE CODE



RoHS Compliant

1 | Added 3/4HP 125/277VAC to rating. 1/31/11.

CW INDUSTRIES
 Southampton, Pa. 18966
 Tel 215.355.7080/www.cwind.com

Date Drawn: 1/31/11

Rev. 1

Unit: mm

Checked By: **G.GULD**

Title:
ROCKER SWITCH

CW P/N:
GRB263D001NNN