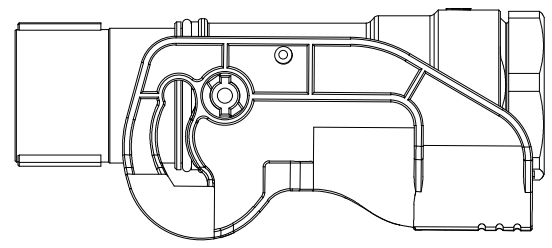
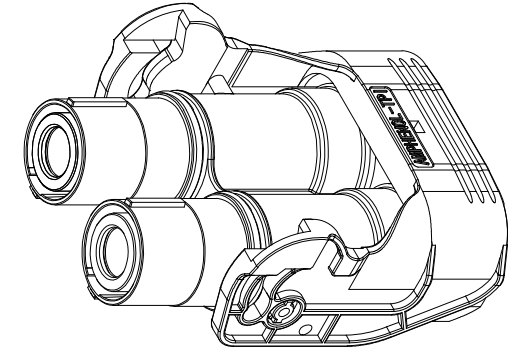
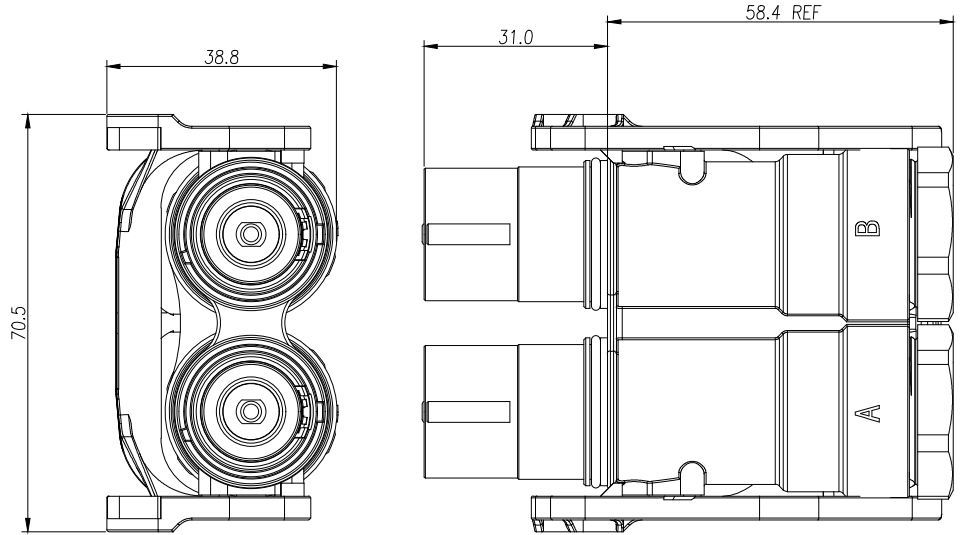


THIS DRAWING IS SUPPLIED FOR INFORMATION ONLY. DESIGN FEATURES, SPECIFICATIONS AND PERFORMANCE DATA SHOWN HEREON ARE THE PROPERTY OF THE AMPHENOL CORPORATION. NO RIGHTS OF REPRODUCTION ARE IMPLIED. ALL DIMENSIONS ARE SUBJECT TO NORMAL MANUFACTURING VARIATIONS.

Customer Drawing

REV			REVISIONS			
ZONE	ECO	DESCRIPTION	DATE	BY	APPR	
A	--	INITIAL RELEASE	11/03/16	SW	RW	
B	--	Increased Model No	02/28/19	Steven	JL	
C	--	增加带高压互锁料号	03/27/20	Fred	JL	



Standard Part List (Without HVIL)

P/N	Polarization
EX-HA001397	X
EX-HA001398	Y

Standard Part List (With HVIL)

P/N	Polarization
EX-HA006007	X
EX-HA006008	Y

标准料号 (国内) (Without HVIL)


料号	键位
AC-HA012706	X
AC-HA012707	Y

标准料号 (国内) (With HVIL)

料号	键位
AC-HA015751	X
AC-HA015752	Y

规格参数 (Spec.):

1. 工作温度 Operating temperature: -40° C~+125° C.
2. 额定电压 Operating voltage: 1000 VDC.
3. 耐电压 Dielectric withstanding voltage: 5000 VDC.
4. 防护等级 Protection class: IP67 & IP2X.
5. 机械寿命 Mating cycle: 100 Min.
6. 带自动二次锁扣 Automatic secondary lock.
8. 带高压互锁 Electrical interlock (HVIL).
9. 对配插座见图纸 Mating receptacle see drawing: PL082-300.

AMPHENOL 	Amphenol Technical Products International Asia.				
	第三角投影 THIRD ANGLE PROJECTION	页面 SHEET	幅面 SIZE	版次 REV.	比例 SCALE
签名 SIGNATURE 制图 DRAWN 审核 CHECKED 批准 APPROVAL	日期 DATE Fred 03/27/20	1 OF 1 A3 C			DWG NO: EX-HA001397~8 AC-HA012706~7 EX-HA006007~8 AC-HA015751~2
UNLESS OTHERWISE SPECIFIED 1) All dimensions are in metric (mm). 2) Tolerances are as follows: 0 PL DEC ±1.00 1 PL DEC ±0.50 2 PL DEC ±0.20				Angles ±1°	CUST PART #: N/A