

**Ratings**

Operating temperature range: -10° to 60° C  
 Flammability: UL 94 V-0

**Materials**

1. Insulator: PBT, black
2. Pin: copper alloy, nickel plated
3. Shell: brass, nickel plated
4. Spring contact: stainless steel, nickel plated
5. Spring contact collar: copper alloy, nickel plated
6. Solder tab: brass, nickel plated
7. Split washer p/n 56-00001: cold rolled steel, nickel plated
8. Nut p/n 56-00000: brass, nickel plated

**Electrical Requirements**

Dielectric strength: 1 min @ 500 Vac  
 Insulation resistance: 100 MΩ @ 500 Vdc  
 Contact resistance: 50 mΩ or less

**Mechanical Requirements**

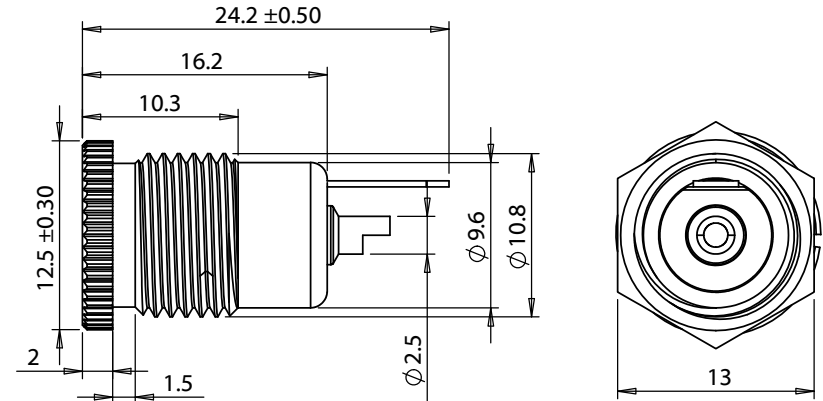
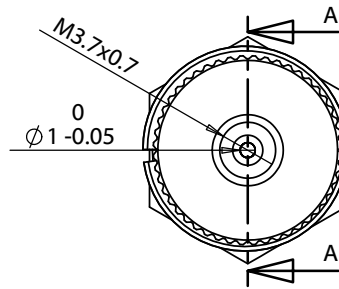
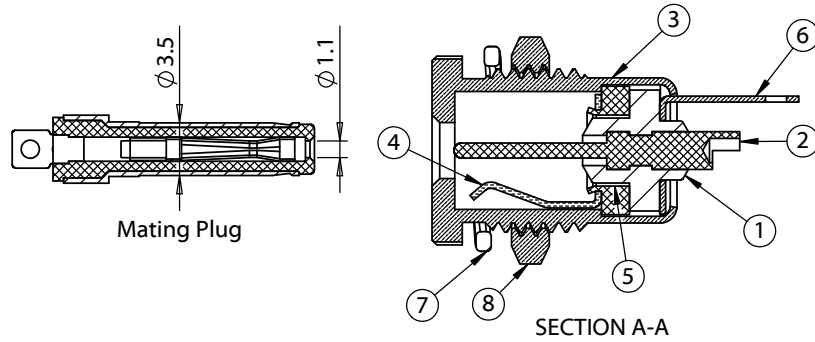
Insertion force: 0.3-3 kgf  
 Withdrawal force: 0.2-3 kgf  
 Terminal strength: a static load of 150 gf shall be applied to the terminal for 15 seconds in any direction.  
 Life cycle: 5000 mating cycles while maintaining less than 100 mΩ contact resistance, 50MΩ insulation resistance minimum, and dielectric strength of 500 Vac for 1 minute withstand voltage.

**Soldering**

Solderability: 75% minimum coverage when terminals dipped 2mm in 245 ±5 °C solder bath for 3 ±0.5 seconds  
 Solder bath durability: no deformation when immersed in 255 ±5 °C bath for 5 seconds or less  
 Solder iron durability: no deformation when exposed to 350 ±10 °C for 3 ±0.5 seconds

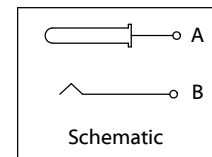
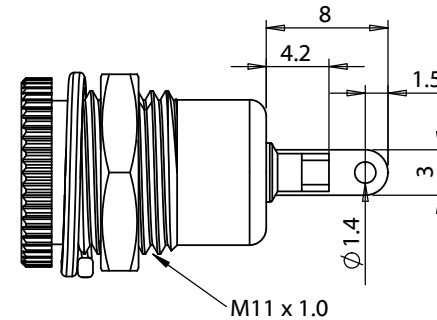
**Environmental Requirements**

Cold test: -25 ±3 °C for 48 hours without deformation  
 Heat test: 70 ±2 °C for 48 hours without deformation  
 Humidity test: 40 ±2 °C, relative humidity 90-95% for 48 hours without deformation



**Installation Details**

Panel thickness: 1.0 - 4.5 mm  
 Panel cutout Ø: 11.0 - 12.0 mm



Revision:	Date:	Description:
A	8/04/2016	Initial release
A1	1/03/2017	Updated materials list
A2	8/25/2017	Updated notes

Prepared: RS  
Digitally signed by RS  
 Date: 2018.11.01  
 11:41:20 -07'00'

Verified: PS  
Digitally signed by PS  
 Date: 2018.11.05 13:12:05  
 -08'00'

Dimensions are in millimeters.  
 Tolerances:  
 X: ± 0.5 mm  
 X.X: ± 0.3 mm  
 X.XX: ± 0.05 mm

Notes:  
 RoHS compliant

Function test: no open, no short circuit, no intermittent

Description:  
 Connector, dc jack, 3.5x1.1xL24.2 mm, panel mount, threaded, nut and washer, brass, nickel

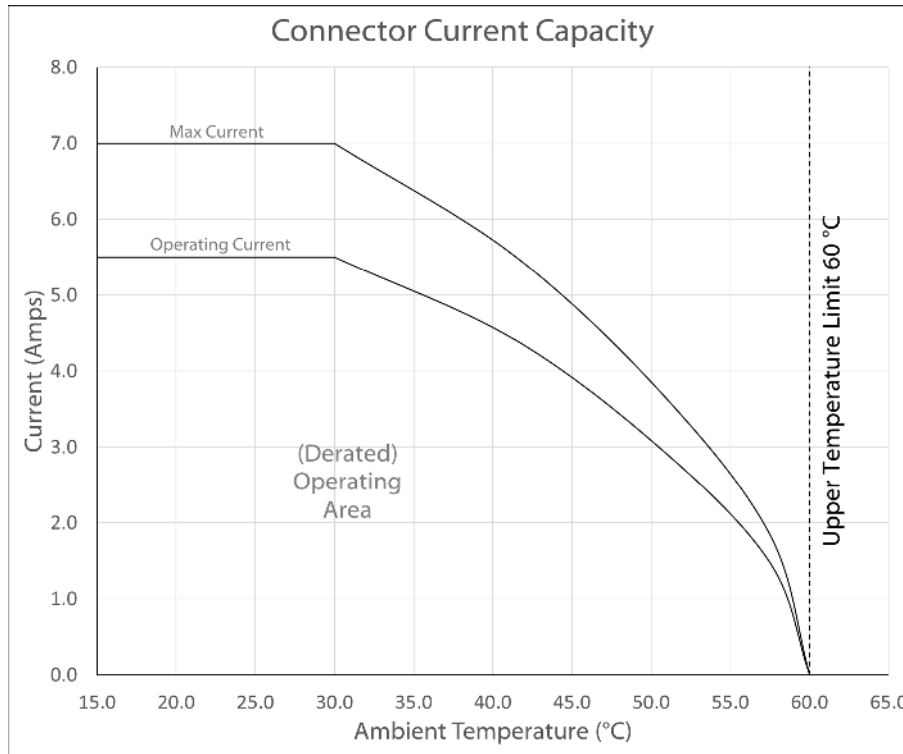
**TENSILITY**

tel 1.541.323.3228 800 877.670.7118  
 fax 1.541.323.4202 web tensility.com

Size: A Part number: 54-00060  
 Scale: 2:1 Sheet 1 of 2

**Ratings**

Maximum Operating Voltage: 48 Vdc  
 Maximum Operating Current: 5.5 A



Testing based on IEC 60512-5-2. Max current curve generated with isolated test article under controlled environmental conditions, and does not take into account external factors such as housings, mating cables, or other circuitry. Operating current curve (derated by 20% of maximum values) accounts for external factors, and manufacturing variation.

Revision:	Date:	Description:
A	8/04/2016	Initial release
A1	1/03/2017	Updated materials list
A2	8/25/2017	Updated notes

Prepared: **RS**  
Digitally signed by RS  
 Date: 2018.11.01  
 11:41:30 -07'00'

Verified: **PS**  
Digitally signed by PS  
 Date: 2018.11.05 13:22:00  
 -08'00'

Dimensions are in millimeters.  
 Tolerances:  
 X: ± 0.5 mm  
 X.X: ± 0.3 mm  
 X.XX: ± 0.05 mm

Notes:  
 RoHS compliant

Function test: no open, no short circuit, no intermittent

Description:  
 Connector, dc jack, 3.5x1.1xL24.2 mm, panel mount, threaded, nut and washer, brass, nickel

**TENSILITY**

tel 1.541.323.3228 800 877.670.7118  
 fax 1.541.323.4202 web tensility.com

Size: A Part number: 54-00060

Scale: 2:1

Scale icons:

Sheet 2 of 2