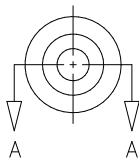
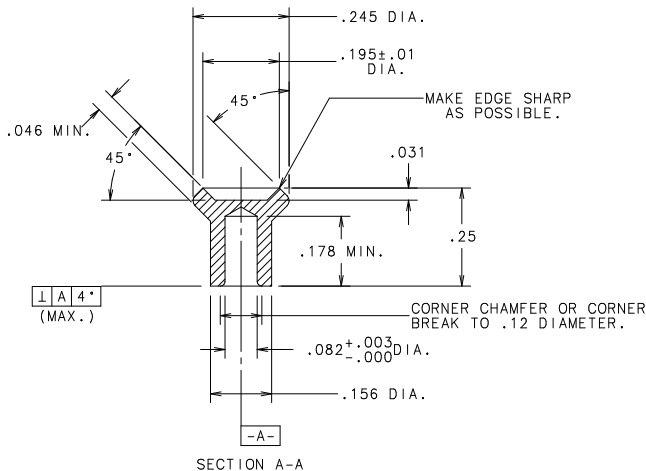


PART No.	FINISH SPECIFICATIONS	CONTACT RIVET
904-216	NONE - FREE OF OIL & CONTAMINANTS	N/A
904-216-001	ES-001001 NI	904-216
904-216-002	ES-001001	904-216



NOTES:

1. THIS RIVET IS SIMILAR TO 904-197 WITH EXCEPTION OF HOLE SIZE.

DESCRIPTION		QTY/M	U/M
BILL OF MATERIAL			
MATERIAL SPEC		FINISH	
SEE CHART		SCALE	
DATE		10/12/95	
RFR		SUPER DRW	
DATE		RAW STK WT	
APPD		LBS/M	
TOLERANCE UNLESS OTHERWISE SPECIFIED		TWO PLACE DEC. ±.010	
THREE PLACE DEC. ±.005		ANGULAR ±1°	
TITLE		CONTACT RIVET	
DRAWN		M	
INC.		904-216	
DES PLAINES, ILLINOIS 60016			

REVISION		CHK	APD
LTR	06866 - RELEASED -904-216-002 & REFRAB ON CAD. 10/12/95		
M	84353C-CHG PLATING TO BE OUT SOURCED 7/27/95 LDL	MP	CP

CPK DENOTES CP DIMENSIONS.-MINIMUM CP VALUE  
 LTR DENOTES LTR DIMENSIONS.-MINIMUM LTR VALUE  
 M DENOTES M DIMENSIONS.-MINIMUM M VALUE

SEC DENOTES A CHARACTERISTIC THAT PROVIDES AN INDICATION OF PROCESS PERFORMANCE. PROCEDURE FOR MEASUREMENT AND ACCEPTANCE TO BE DEFINED IN LITTELFUSE INSPECTION INSTRUCTIONS.  
 UNLESS OTHERWISE SPECIFIED-DIMENSIONS DO NOT INCLUDE PLATING.

CONTROLLED DOCUMENT