

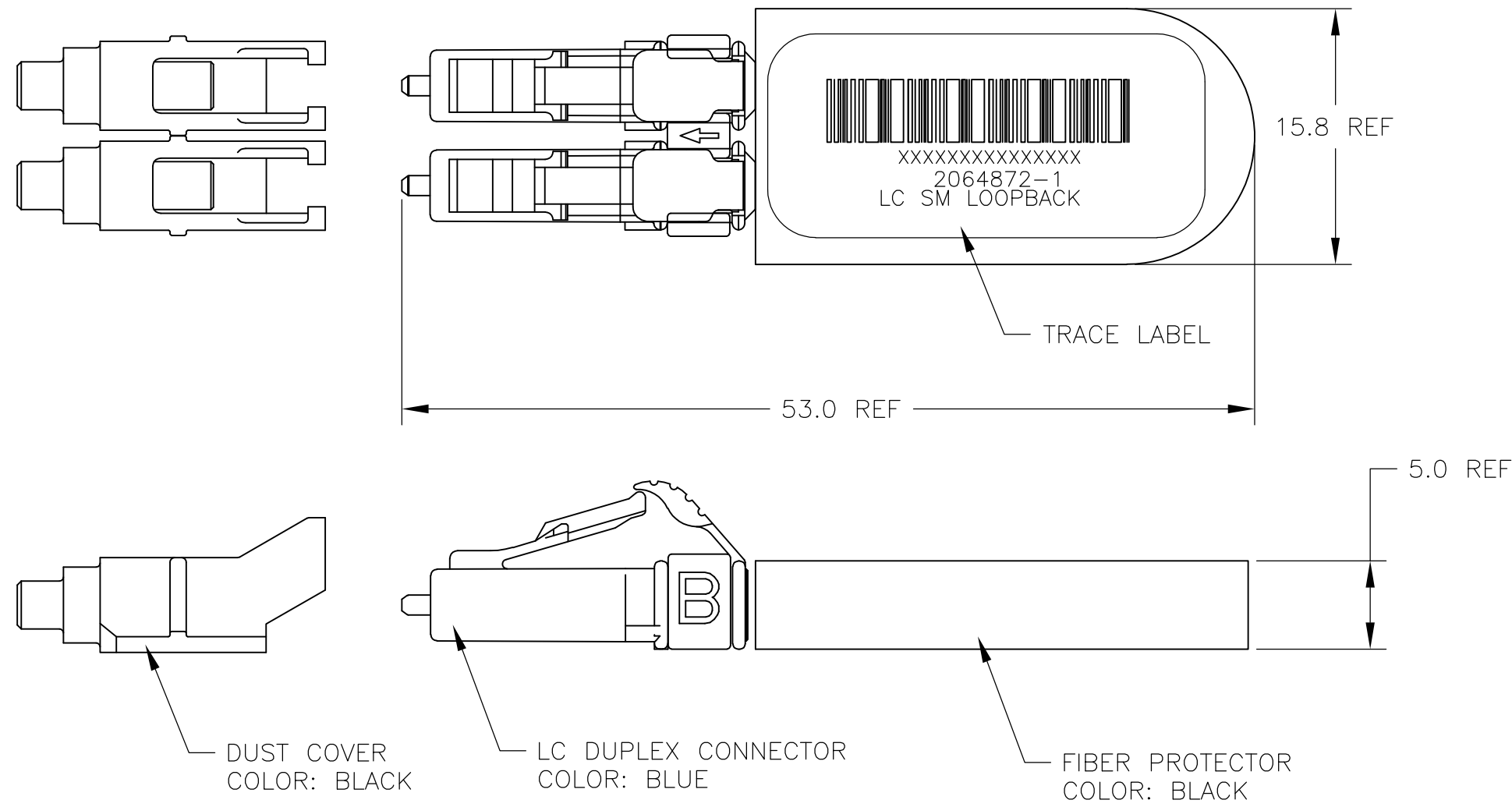
THIS DRAWING IS UNPUBLISHED.      RELEASED FOR PUBLICATION  
 © COPYRIGHT - By -      ALL RIGHTS RESERVED.

LOC		DIST		REVISIONS			
P	LTR	DESCRIPTION	DATE	DWN	APVD		
HG	-	A	INITIAL RELEASE	16OCT12	SW	RZ	

PART NUMBER  
 2064872-1

NOTES:

1. MAXIMUM INSERTION LOSS IS 0.5 dB AT 1310 & 1550nm.
2. MINIMUM RETURN LOSS: 45dB AT 1310 & 1550nm
3. INCLUDE IL & RL TEST DATA WITH EACH LOOPBACK
4. PRODUCT AND PROCESSING MUST MEET REQUIREMENTS OF TE STANDARD TEC-138-702.



THIS DRAWING IS A CONTROLLED DOCUMENT.		DWN SIMON WU 16OCT12	TE Connectivity		
DIMENSIONS: mm		CHK KIM ZHANG 16OCT12			
TOLERANCES UNLESS OTHERWISE SPECIFIED: 0 PLC ± - 1 PLC ± - 2 PLC ± - 3 PLC ± - 4 PLC ± - ANGLES ± - FINISH -		APVD RICHARD ZHAO 16OCT12	NAME CABLE ASSY, FIBER OPTIC, SINGLEMODE LC DUPLEX LOOPBACK		
		PRODUCT SPEC -	RESTRICTED TO -		
MATERIAL -		APPLICATION SPEC -	SIZE A2	CAGE CODE 00779	DRAWING NO C-2064872
CUSTOMER DRAWING			SCALE NTS	SHEET 1 of 1	REV A

2064872