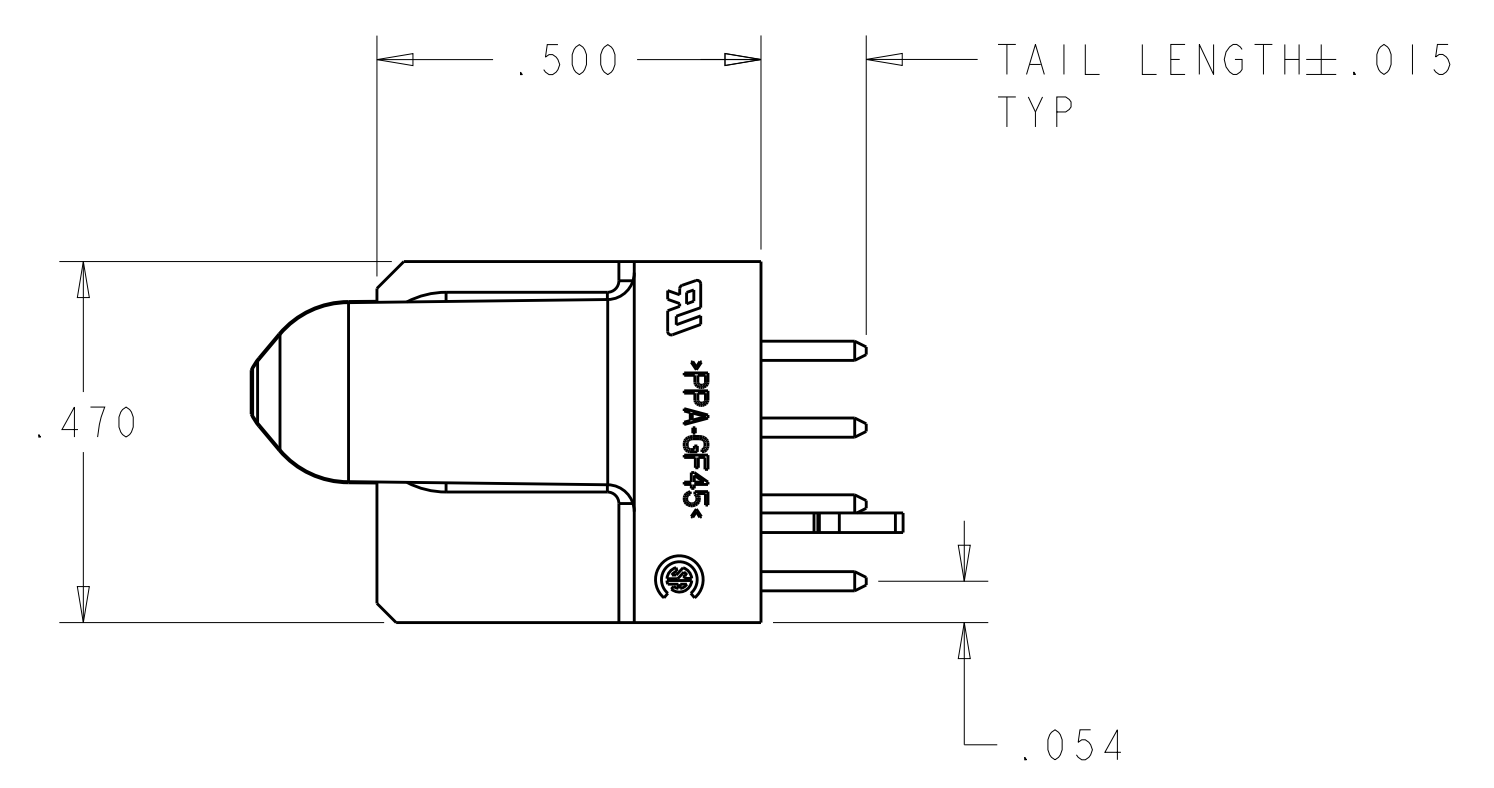
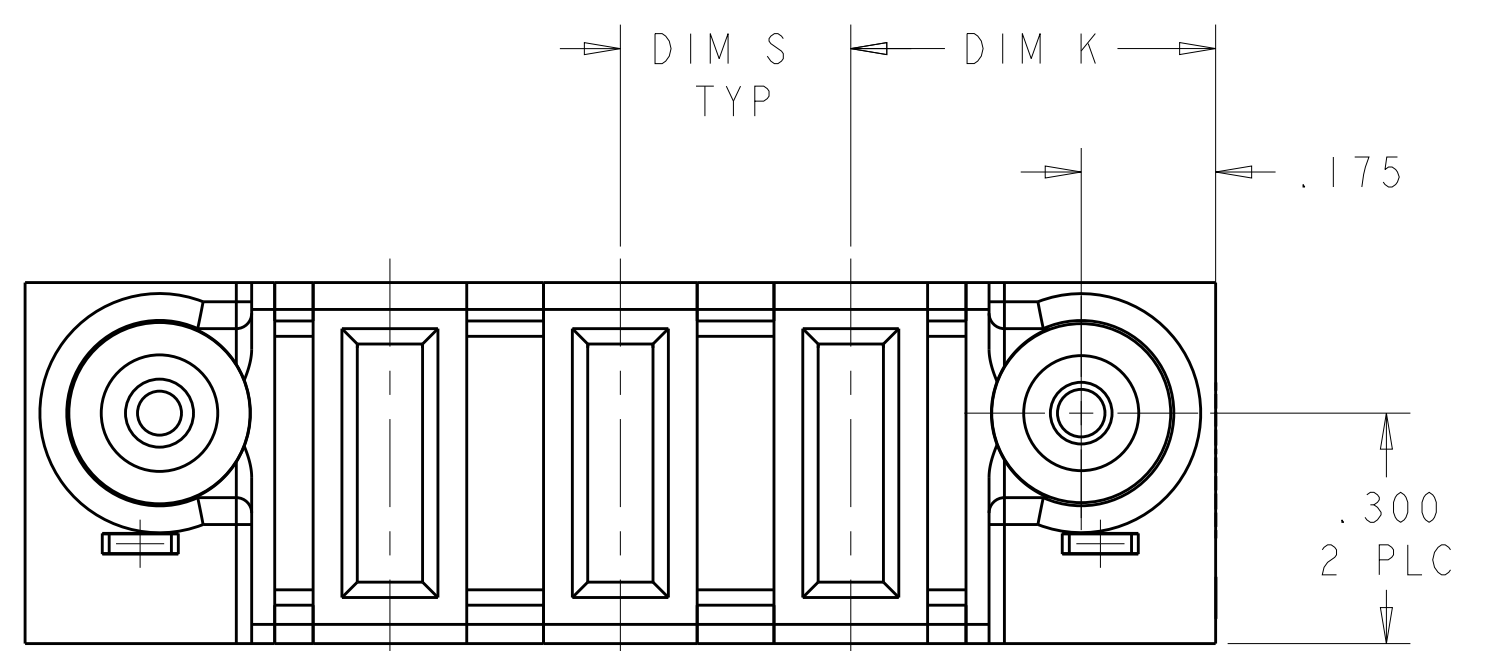
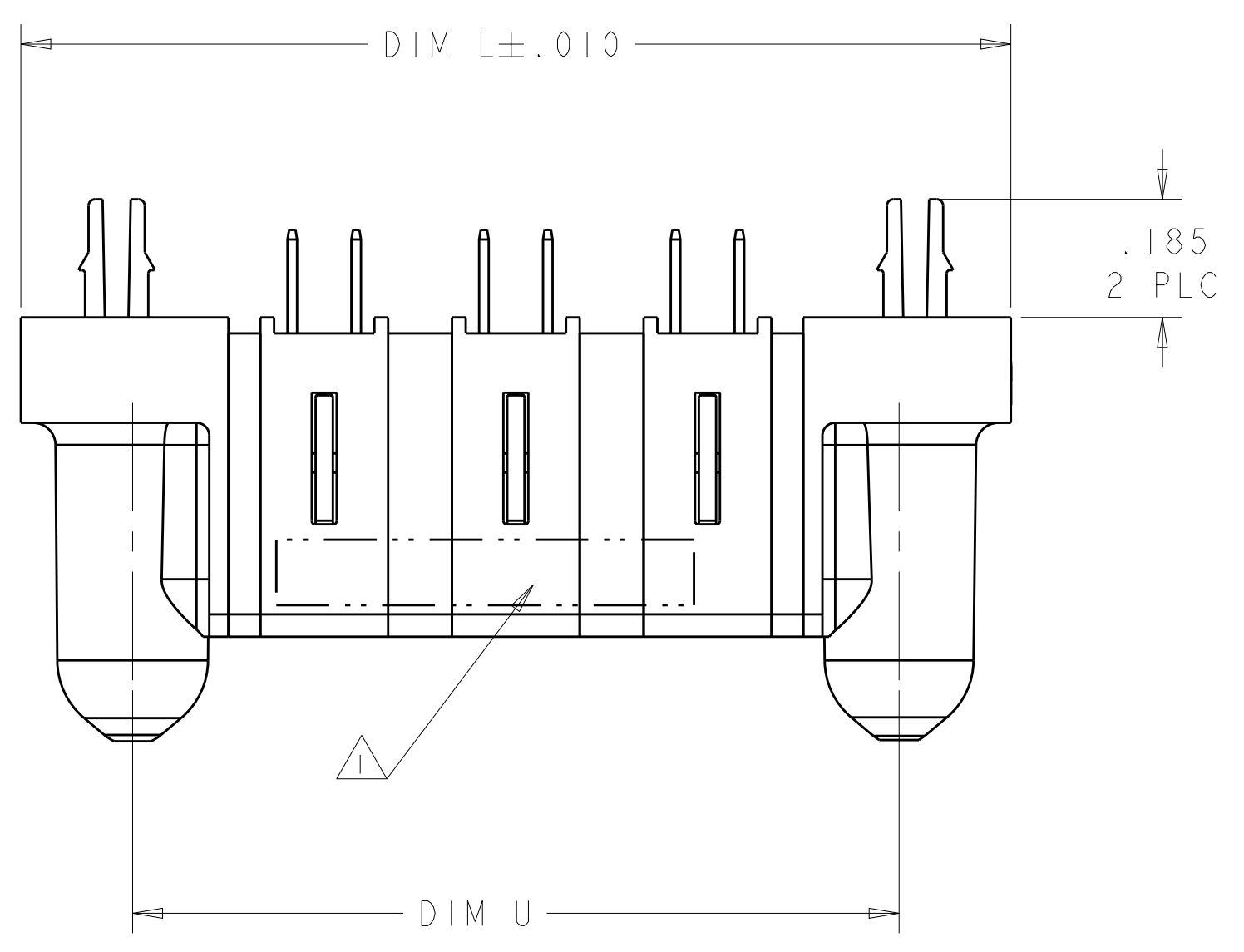
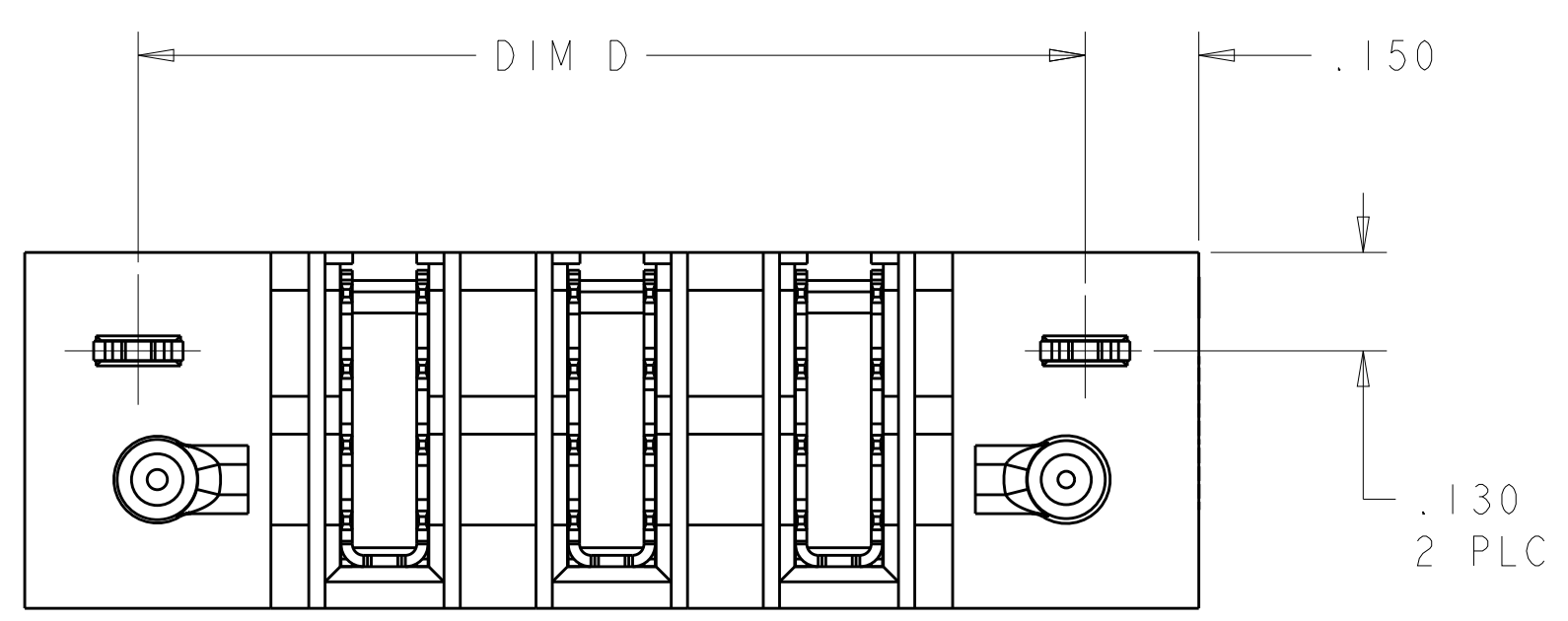


LOC	DIST	REVISIONS					
		P	LTN	DESCRIPTION	DATE	DWN	APVD
ES	00	A2		ADVISED	20MAR2013	ML	SZ

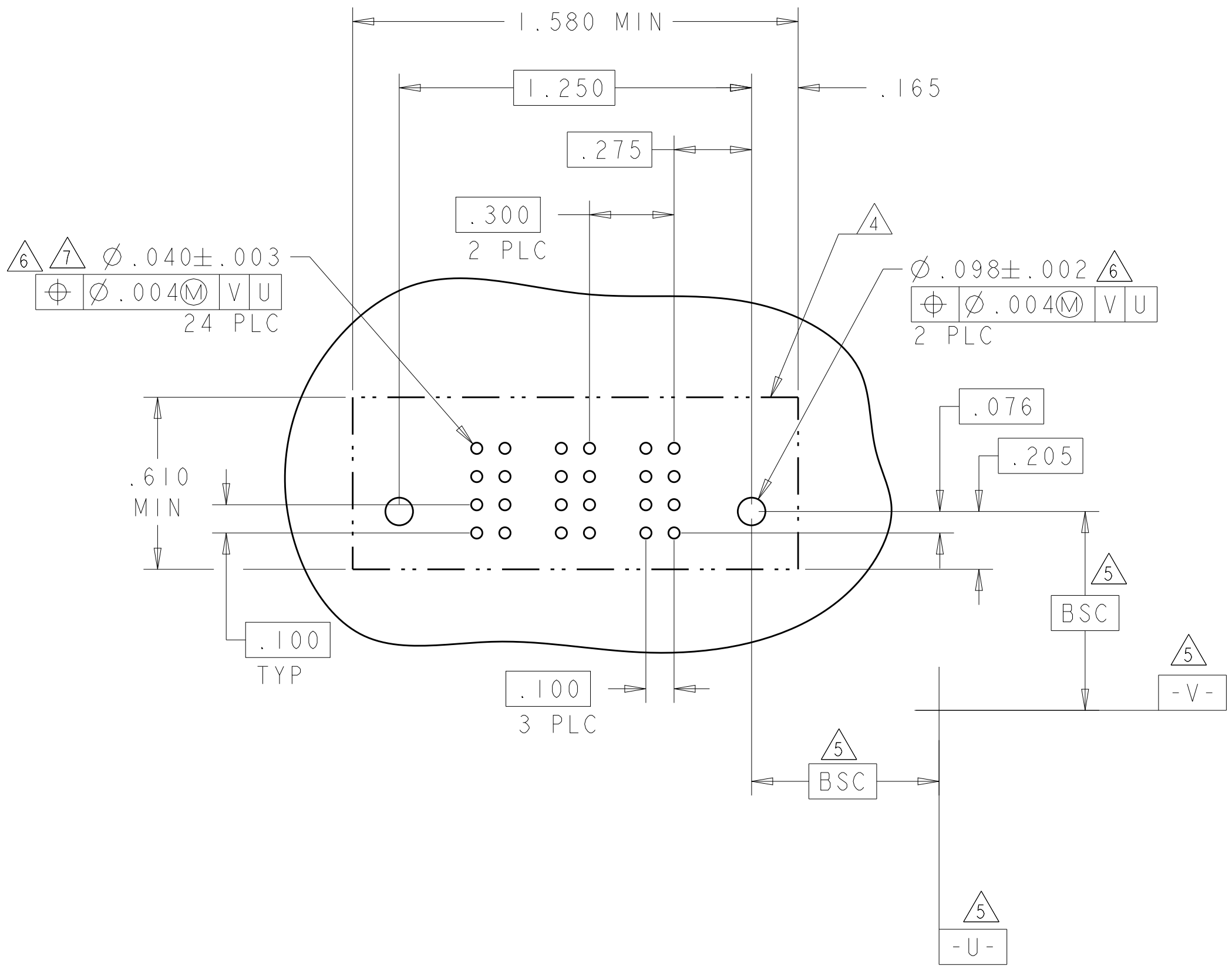


- ① "AMP", TRADEMARK, PART NUMBER AND DATE CODE TO BE MARKED IN AREA SHOWN
- ② MATERIAL: HOUSING - GLASS FILLED HIGH TEMP THERMO PLASTIC, UL94 V-0
SIGNAL CONTACT - HIGH CONDUCTIVITY COPPER ALLOY
POWER CONTACT - HIGH CONDUCTIVITY COPPER ALLOY
- ③ CONTACT PLATING: NOBLE METAL PLATING ON CONTACT FUNCTIONAL AREA OF SIGNAL AND POWER CONTACTS.
- ④ MECHANICAL CONNECTOR KEEP OUT ZONE
- ⑤ DATUM AND BASIC DIMENSIONS ESTABLISHED BY CUSTOMER
- ⑥ PCB - ALL HOLE DIAMETERS ARE FINISHED HOLE SIZES
- ⑦ PCB - .0453 ± .0010 DRILLED HOLES PLATED WITH .0003 MIN Sn OVER .001 TO .003 CU PLATING TO ACHIEVE A .040 ± .003 DIA HOLE
- ⑧ POWER CONTACT AREA LUBRICATED WITH LUBRICANT
- ⑨ NOT RELEASED FOR PRODUCTION.

⑨	1.200	.300	1.250	1.550	.475	3ACP	1892403-1
	DIM U	DIM S	DIM D	DIM L	DIM K	DESCRIPTION	PART NUMBER
THIS DRAWING IS A CONTROLLED DOCUMENT.		DWN C. ZHOU CHK S. ZHAO		ZOMAT2007 S. YAO		TE Connectivity	
DIMENSIONS: INCHES		TOLERANCES UNLESS OTHERWISE SPECIFIED:		NAME S. YAO		PRODUCT SPEC 108-1973	
		0 PLC ± 2 PLC ±.01 3 PLC ±.005 4 PLC ±.0020 ANGLES ±.7°		APPLICATION SPEC 114-13038		RESTRICTED TO	
MATERIAL		FINISH		WEIGHT		SIZE CAGE CODE DRAWING NO	
②		③		-		A100779C=1892403	
Customer Drawing						SCALE 4:1 SHEET 1 OF 2 REV A2	

LOC	DIST	REVISIONS			
P	LTN	DESCRIPTION	DATE	DWN	APVD
-	-	SEE SHEET 1	-	-	-

PART NUMBER	ROWS	POWER	POWER		
			P3	P2	P1
1892403-1	D	VM	VM	VM	VM
	C	VA	VA	VA	VA
	B	VM	VM	VM	VM
	A	HD	HD	HD	HD
3ACP					



VM	VA	CODE	TAIL LENGTH	DESCRIPTION
.135	.135			STD, LUBRICANT
				MFBL, LUBRICANT
POWER CONTACTS				

THIS DRAWING IS A CONTROLLED DOCUMENT.		DWN C. ZHOU	ZOMAY2007	STE TE Connectivity
DIMENSIONS: INCHES		CHK S. ZHAO	S. YAO	
TOLERANCES UNLESS OTHERWISE SPECIFIED:		APVD S. YAO		NAME VERTICAL RECEPTACLE ASSEMBLY, WITH GUIDES MULTI-BEAM XL
0 PLC ±		PRODUCT SPEC		RESTRICTED TO
1 PLC ±.01		108-1973		
2 PLC ±.01		APPLICATION SPEC		
3 PLC ±.005		114-13038		
4 PLC ±.0020		WEIGHT		
ANGLES ±.2°		A100779C=1892403		
FINISH		Customer Drawing		SCALE 4:1 SHEET 2 OF 2 REV A2