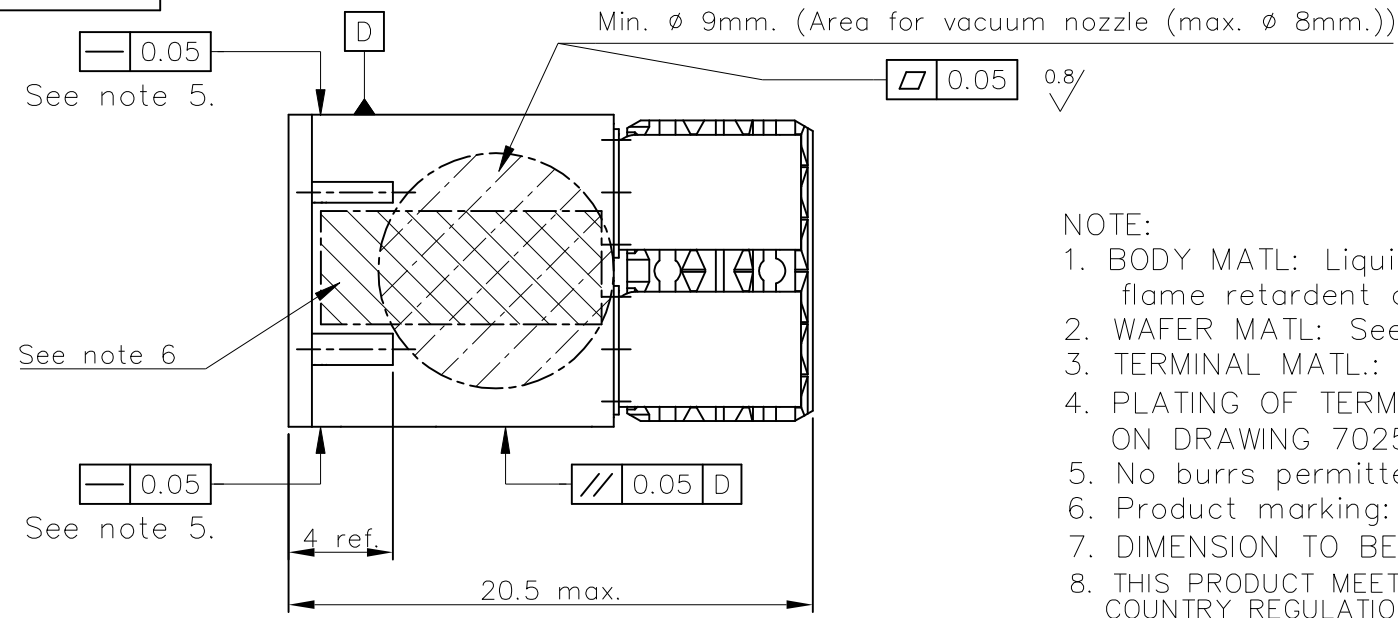
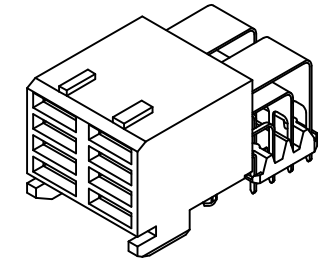
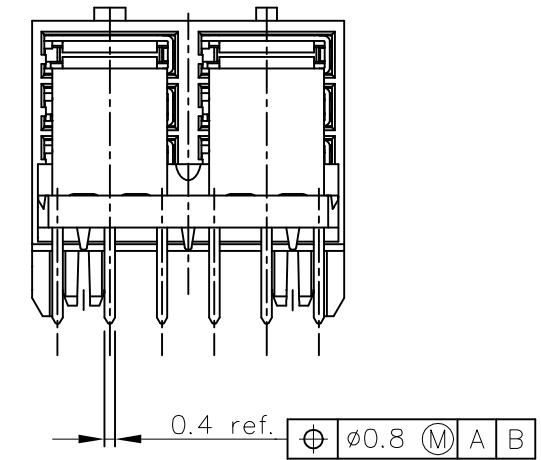
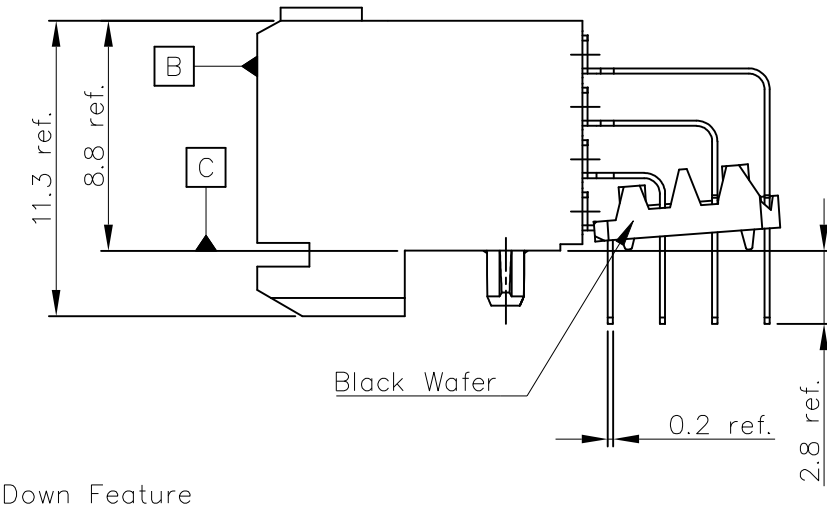
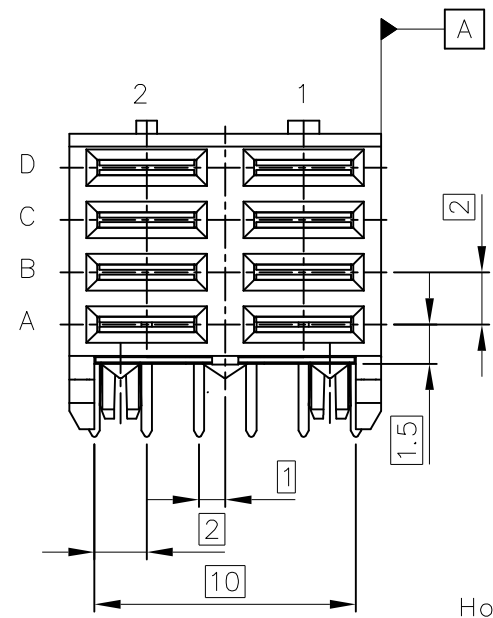


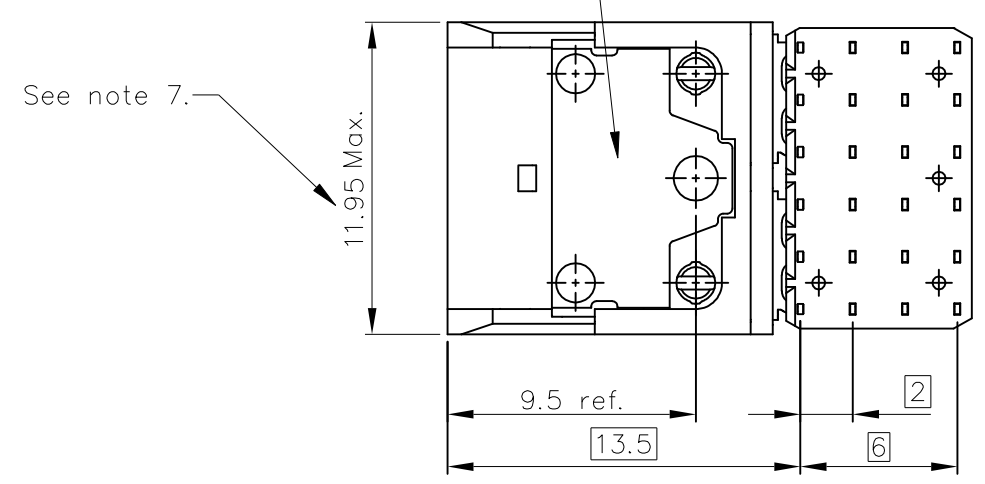
PRODUCT NUMBER	PLATING CONTACT AREA	UNDERPLATING
72651-301/301LF	1.3µm Au Min.	1.3µm Ni Min.
72651-701/701LF	2.0µm Au Min.	2.0µm Ni Min.
72651-101/101LF	0.76µm Au OR GXT Min.	1.3µm Ni Min.



- NOTE:
- BODY MATL: Liquid Crystal Polymer 30% glass flame retardent acc. to UL 94-V0.
 - WAFER MATL: See body matl., COLOR: Black.
 - TERMINAL MATL.: Phosfor bronze.
 - PLATING OF TERMINAL AND HDF: SEE DETAIL PLATING SPEC. ON DRAWING 70258.
 - No burrs permitted on surface used by vision camera.
 - Product marking: Part number, Manufact. date and Factory code.
 - DIMENSION TO BE CHECKED WITH GAUGE.
 - THIS PRODUCT MEETS EUROPEAN UNION DIRECTIVES AND OTHER COUNTRY REGULATIONS AS DESCRIBED IN GS-22-008.
 - THE HOUSING WILL WITHSTAND EXPOSURE TO 260 DEGREE PEAK TEMPERATURE FOR 10 SECONDS IN A WAVE SOLDER APPLICATION.



SCALE 2.5:1



mat'l. code				surface ISO 1302 ✓		tolerance ISO 406 ISO 1101		projection		product family METRAL (tm)	
ltr ecn no dr date				tolerances unless otherwise specified		angles linear		MM		title	
F	B20095	RR	020506							SMT/PIP 4 row	
G	DG05-0239	CLu	020506							RA RCP POWER STB	
H	DG05-0382	CLu	051011					scale 5:1		dwg no	
J	ELX-N-26608	MZ	032417	dr D. de Bil 990429		enr M. Loman 990429		Amphenol FCI		sheet 1 of 2 size	
				chr M. Loman 990429		appd M. Loman 990429				72651 A3	
										type Product Customer Drawing	
sheet index	revision	J	J								
	sheet	1	2								

