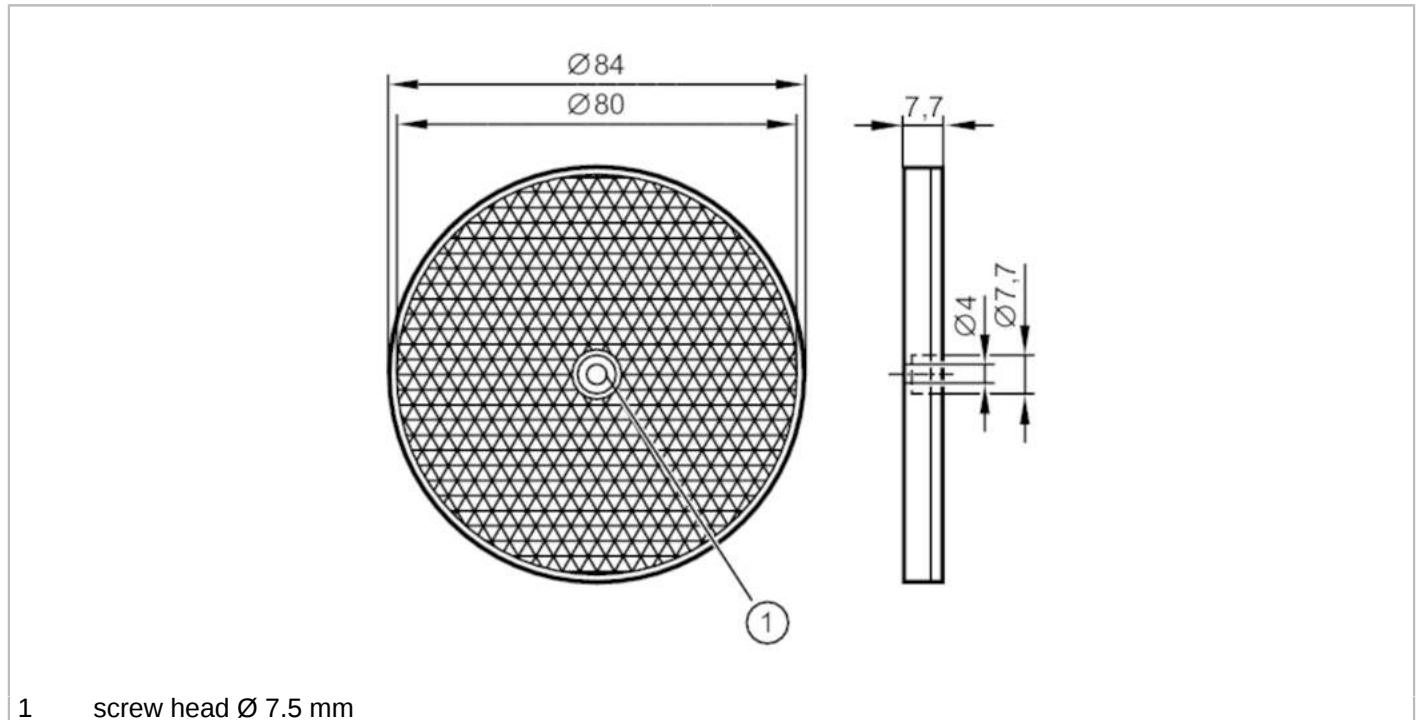


E20005



Reflector for retro-reflective sensors

REFLECTOR TS-80



Application	
Design	round, for red light and infrared light retro-reflective sensors
Operating conditions	
Ambient temperature [°C]	-10...60
Mechanical data	
Weight [g]	30.9
Dimensions [mm]	\varnothing 84 / L = 7.7
Reflector surface [mm]	\varnothing 80
Materials	plastics
Remarks	
Pack quantity	1 pcs.