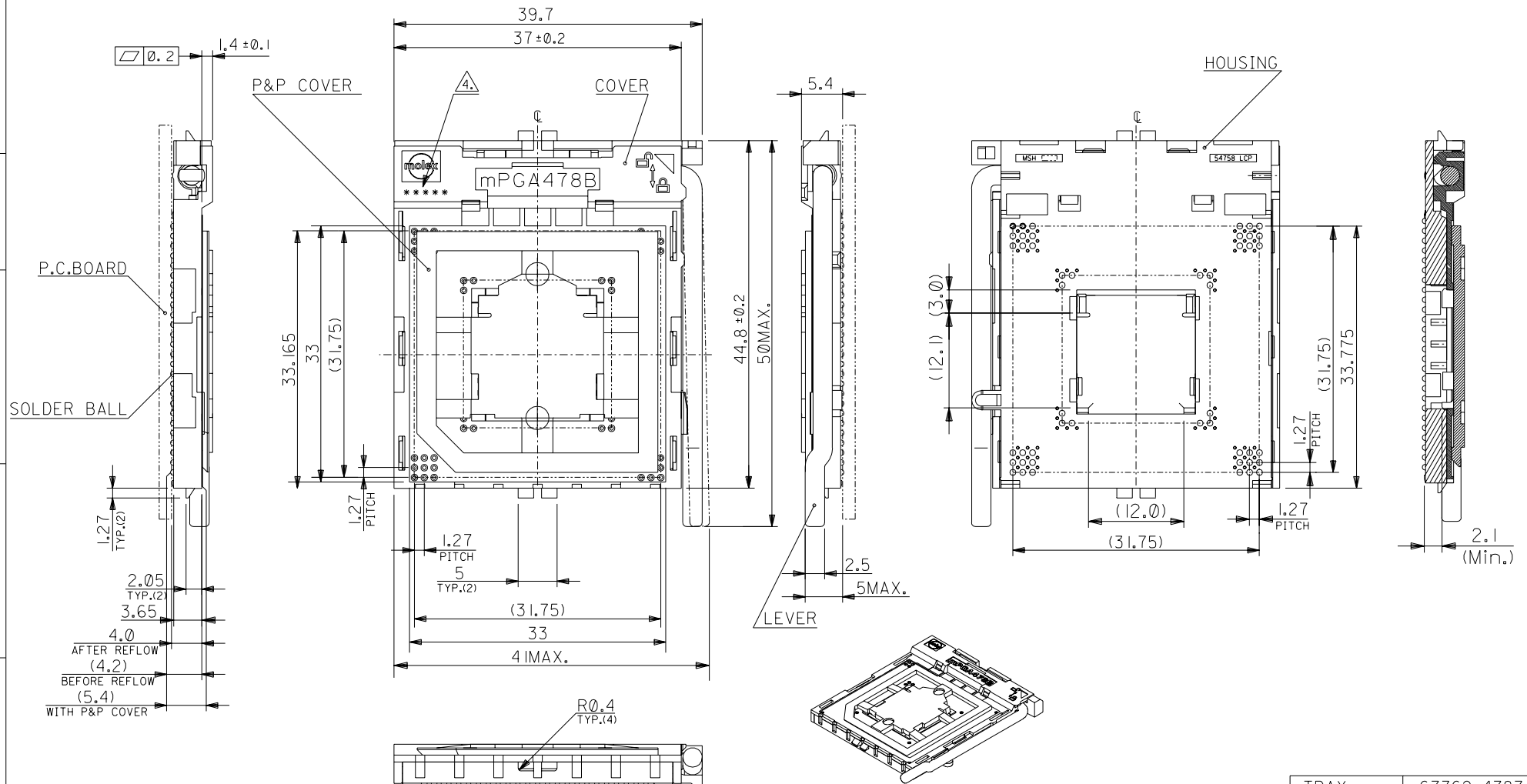


DWG. NO. SD-67762-001



DO NOT SCALE DRAWING

EC NO. DRWN: CHK: APPR:	EC NO. DRWN: CHK: APPR:	EC NO. DRWN: CHK: APPR:	EC NO. DRWN: CHK: APPR:	EC NO. DRWN: CHK: APPR:	EC NO. T2002-0223 DRWN: ERIC KAO 02/04/23 CHK: APPR:	DESCRIPTION	MATERIAL 材料	GENERAL TOLERANCES: (UNLESS SPECIFIED) 一般公差	SCALE 2 - 1	DESIGN UNITS <input checked="" type="checkbox"/> mm <input type="checkbox"/> INCH	THIRD ANGLE PROJECTION	TITLE: mPGA478 SOCKET HOUSING ASS'Y	PACKAGE MATERIAL NO.	SHT REV
					A	FINISH 仕上付		10 UNDER 未滿	±0.2	DRAWN BY & DATE Eric kao 02/03/20	<input type="checkbox"/> mm <input type="checkbox"/> INCH <input checked="" type="checkbox"/> mm ONLY	TRAY 67762-4787	REVISION ON CAD ONLY	
						WIRE RANGE 適用電線範圍		10 OVER 30 UNDER 以上 未滿	±0.25	CHECKED BY & DATE Wilson Chang 02/03/20				
						INS. RANGE 被覆外径		30 OVER 以上	±0.3	APPROVED BY & DATE Erick Lan 02/03/20				
								ANGLE 角度	±3°	CAD FILENAME 67762001.S01	MATERIAL NO. SEE CHART	DRAWING NO. SD-67762-001	SHEET NO. 1 OF 2	
								THIS DRAWING CONTAINS INFORMATION THAT IS PROPRIETARY TO MOLEX INCORPORATED AND SHOULD NOT BE USED WITHOUT WRITTEN PERMISSION.			SIZE B			

