

THIS DRAWING IS UNPUBLISHED. RELEASED FOR PUBLICATION 20
 © COPYRIGHT 20 BY TYCO ELECTRONICS CORPORATION. ALL RIGHTS RESERVED.

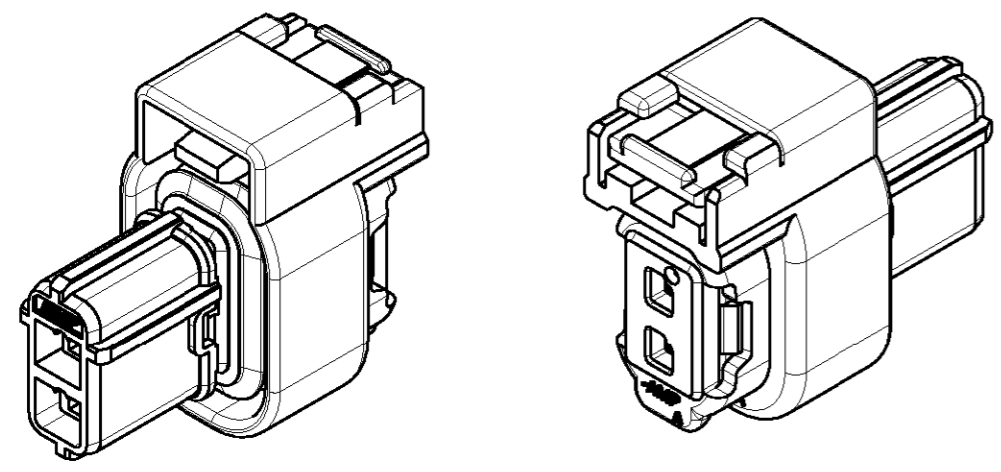
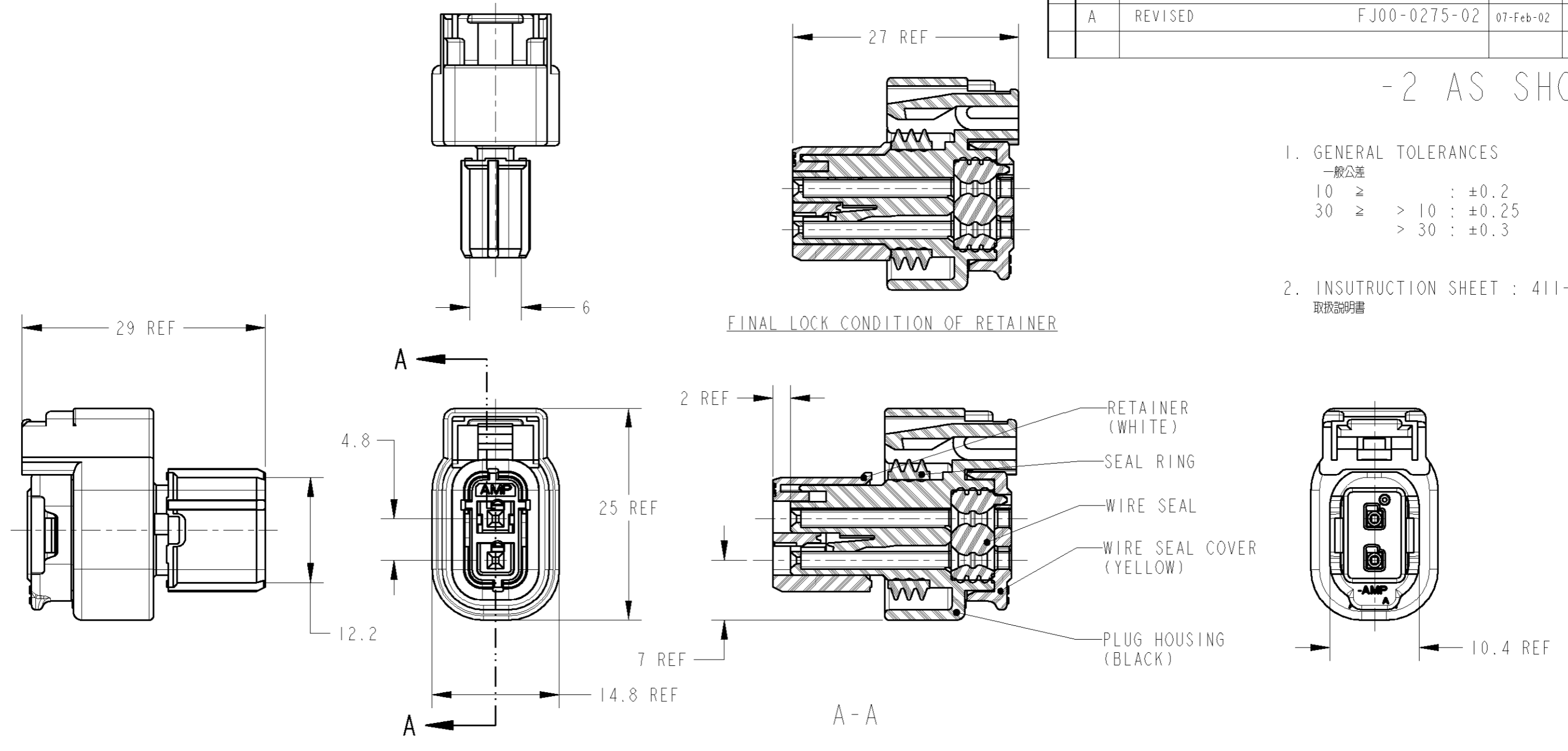
LOC	DIST	REVISIONS						
		P	LTR	DESCRIPTION	ECN	DATE	DWN	APVD
J	-	0		RELEASED	FJ00-2574-01	01-Nov-01	Y.F	K.A
		01		REVISED	FJ00-0174-02	29-Jan-02	Y.N	K.A
		A		REVISED	FJ00-0275-02	07-Feb-02	Y.F	K.A

- 2 AS SHOWN

1. GENERAL TOLERANCES
 一般公差
 10 ≥ : ±0.2
 30 ≥ > 10 : ±0.25
 > 30 : ±0.3

2. INSUTRUCION SHEET : 411-78021
 取扱説明書

FINAL LOCK CONDITION OF RETAINER



THIS DRAWING IS A CONTROLLED DOCUMENT FOR TYCO ELECTRONICS CORPORATION
 IT IS SUBJECT TO CHANGE AND THE CONTROLLING ENGINEERING ORGANIZATION
 SHOULD BE CONTACTED FOR THE LATEST REVISION.

DIMENSIONS:	TOLERANCES UNLESS OTHERWISE SPECIFIED:
単位: 毫米 mm	一般公差
	0 PLC ±
	1 PLC ±0.5
	2 PLC ±0.13
	3 PLC ±0.013
	4 PLC ±0.0001
	ANGLES ±3°00'

MATERIAL 材料	PBT	FINISH 仕上	BLACK
----------------	-----	--------------	-------

DWN	Y. FUJIWARA	01NOV01
CHK	Y. NOGUCHI	01NOV01
APVD	K. ASAI	01NOV01
PRODUCT SPEC	108-5763	
APPLICATION SPEC	114-5278	
WEIGHT	4.5g	
CUSTOMER DRAWING		

WIRE RANGE 包含電線断面積	0.3~0.5 SQ	INSULATION DIA 被覆外径	1.4~1.7 DIA
tyco Electronics		Tyco Electronics AMP K.K. Kawasaki, Japan	
NAME 名称 PLUG HOUSING ASSY 2 POS (A) CLEAN BODY 025 CONNECTOR			
SIZE	CAGE CODE	DRAWING NO 番号	RESTRICTED TO
A3	00779	C=1473845	
SCALE 尺度		2:1	SHEET 1 OF 1 REV A