

PDR#S-001346-00-00
 EC NO: S2007-0138
 DRWN:GMENARLY
 CHKD:M LONG
 APPR:SKTOH

QUALITY SYMBOLS
 ▽=0
 ▽=0
 DESCRIPTION
 REV

GENERAL TOLERANCES (UNLESS SPECIFIED)		DIMENSION STYLE	
		MM/IN	
4 PLACES	± ---	± ---	
3 PLACES	± ---	± .01	
2 PLACES	± 0.25	± ---	
1 PLACE	± ---	± ---	
ANGULAR ± 3 °			
DRAFT WHERE APPLICABLE MUST REMAIN WITHIN DIMENSIONS		SEE TABLE	

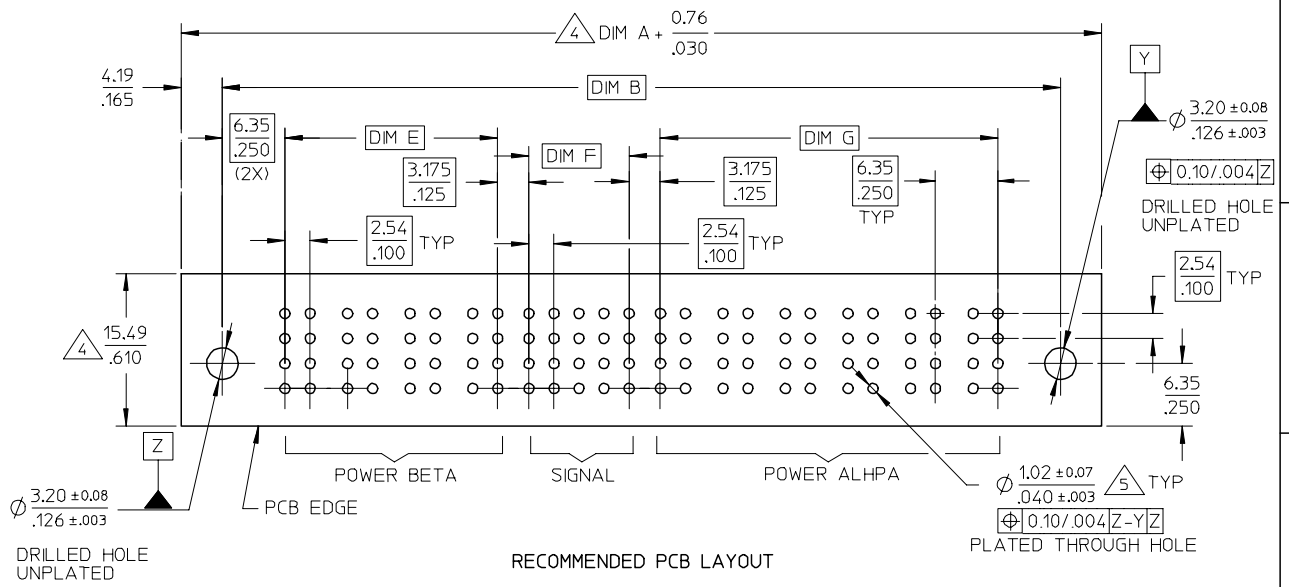
DRAWN BY		DATE	
KMGOH		2002/08/22	
CHECKED BY		DATE	
PTL IM		2002/11/25	
APPROVED BY		DATE	
SKTOH		2002/11/26	
MATERIAL NO.		DOCUMENT NO.	
		SD-87632-016	

SCALE	DESIGN UNITS	THIRD ANGLE PROJECTION	
NTS	METRIC		
TITLE			
POWER CONN. RECEPTACLE P(B)-S-P(A) CONFIG. R/A, T/H, SCREW MOUNT			
MOLEX INCORPORATED			
SHEET NO.			
1 OF 2			

ASSEMBLY PART NUMBER	P-S-P CONFIGURATION			DIM A	DIM B	DIM C	DIM D	DIM E	DIM F	DIM G	RECESSED POWER CIRCUIT	VOID PIN LOCATION	PACKAGING
	POWER BETA	SIGNAL	POWER ALPHA										
87632-2001	2	24	2	$\frac{57.15}{2.250}$	$\frac{49.53}{1.950}$	$\frac{48.26}{1.900}$	$\frac{34.29}{1.350}$	$\frac{8.89}{.350}$	$\frac{12.70}{.500}$	$\frac{8.89}{.350}$	NIL	NIL	TRAY
87632-2002	2	12	2	$\frac{49.53}{1.950}$	$\frac{41.91}{1.650}$	$\frac{40.64}{1.600}$	$\frac{26.67}{1.050}$	$\frac{8.89}{.350}$	$\frac{5.08}{.200}$	$\frac{8.89}{.350}$			
87632-2003	4	20	4	$\frac{80.01}{3.150}$	$\frac{72.39}{2.850}$	$\frac{71.12}{2.800}$	$\frac{57.15}{2.250}$	$\frac{21.59}{.850}$	$\frac{10.16}{.400}$	$\frac{21.59}{.850}$			
87632-2007	4	28	6	$\frac{97.79}{3.850}$	$\frac{90.17}{3.550}$	$\frac{88.90}{3.500}$	$\frac{74.93}{2.950}$	$\frac{21.59}{.850}$	$\frac{15.24}{.600}$	$\frac{34.29}{1.350}$	A3,A4,A5,A6 B1,B2,B3,B4	A7,B7,C7,D7	
87632-2008	4	24	6	$\frac{95.25}{3.750}$	$\frac{87.63}{3.450}$	$\frac{86.36}{3.400}$	$\frac{72.39}{2.850}$	$\frac{21.59}{.850}$	$\frac{12.70}{.500}$	$\frac{34.29}{1.350}$	NIL	NIL	
87632-2009	4	24	6	$\frac{95.25}{3.750}$	$\frac{87.63}{3.450}$	$\frac{86.36}{3.400}$	$\frac{72.39}{2.850}$	$\frac{21.59}{.850}$	$\frac{12.70}{.500}$	$\frac{34.29}{1.350}$	A3,A4,A5,A6		

NOTES

- MATERIALS :-
HOUSING - LCP, GLASS FILLED, UL94V-0, COLOR : BLACK.
SIGNAL TERMINAL - COPPER ALLOY
POWER TERMINAL - COPPER ALLOY
- FINISH :-
SIGNAL & POWER CONTACTS
0.76um MIN. GOLD (Au) AT CONTACT AREA AND 2.54um MIN. TIN AT SOLDER TAIL AREA OVER 1.27um MIN. NICKEL (Ni) UNDERPLATE.
- PRODUCT SPECIFICATION : PS-87631-006.
- COMPONENT STAY AWAY ZONE FROM CONNECTOR.
- PCB NOTE FOR DIAMETER 1.02/.040 PLATED HOLE
- DRILLED HOLE SIZE IS 1.151/.0453
- PLATE WITH 0.007/.0003 MINIMUM TIN OVER 0.03/.001 TO 0.08/.003 COPPER PLATING TO ACHIEVE 1.02±0.08/.040±.003 HOLE.
- ALL TERMINAL TIPS ARE DESIGNED WITH EXPOSE BASE COPPER. THIS IS CREATED BY FINAL CUTTING PROCESS PLATING.
- MANUFACTURER LOGO, PART NUMBER AND YEAR-WEEK CODE.
- 4 POWER BETA-20SIGNAL-6 POWER ALPHA IS SHOWN FOR ILLUSTRATION. POWER-SIGNAL-POWER CONFIGURATION IS AVAILABLE UP TO 203MM/8INCH. PLEASE CONTACT MOLEX SALES PERSONNEL FOR OTHER CONFIGURATION AND OPTION NEEDED.



PDR#S-001358-00-00 EC NO: S2007-0138 DRWN:GMENARLY CHKD:M LONG APPR:SKTOH	2006/08/28 2006/08/28 2006/08/28	QUALITY SYMBOLS ▽=0 ▽=0	GENERAL TOLERANCES (UNLESS SPECIFIED)		DIMENSION STYLE		SCALE	DESIGN UNITS	THIRD ANGLE PROJECTION			
					MM/IN		NTS	METRIC				
							DRAWN BY	DATE	TITLE			
							CHECKED BY	DATE	POWER CONN. RECEPTACLE P(B)-S-P(A) CONFIG. R/A, T/H, SCREW MOUNT			
				1 PLACE ± --- ± ---		APPROVED BY		DATE	MOLEX INCORPORATED			
				ANGULAR ± 3 °		SKTOH		2002/11/26	DOCUMENT NO. SD-87632-016			
				DRAFT WHERE APPLICABLE MUST REMAIN WITHIN DIMENSIONS		MATERIAL NO.		SHEET NO. 2 OF 2				
						SIZE SEE TABLE						
						THIS DRAWING CONTAINS INFORMATION THAT IS PROPRIETARY TO MOLEX INCORPORATED AND SHOULD NOT BE USED WITHOUT WRITTEN PERMISSION						