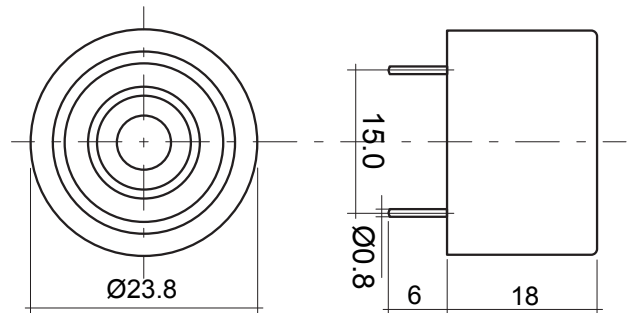
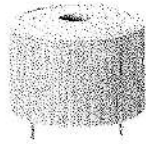


**PRODUCT DATA SHEET**

## PART NO. PB -2416-2 NON-WASHABLE TYPE

**PB -2416-2**

**DIMENSIONS**



**DIMENSION:** Ø23.8 x H16.0

SPECIFICATION	UNIT	PB -2416-2
Rated Voltage	(VDC)	12
Operating Voltage	(VDC)	3~20
Current Consumption	(mA)	8
Sound Output (min)	(dB)	85
Resonance Frequency	(Hz)	2800±500
Operating Temp	(C)	-40~+85
Storage Temp	(C)	-40~+85
Weight	(g)	5
Dimension	mm	Ø23.8 x H16.0
Terminal		Pin
Environmental Protection Regulation		RoHS

\*Value applying at rated voltage

\*Distance for measurement 30 cm