

Wi-Fi SINGLE BAND ON BOARD ANTENNA

Part Numbers: 2108789-1, 2108789-2

FEATURES & BENEFITS

- IEEE802.11 b/g, Bluetooth, ZigBee
- Global Frequency coverage
- Small and lightweight PCB antenna
- Minimal keep out zone requirement
- Performance dependent on ground plane size and design

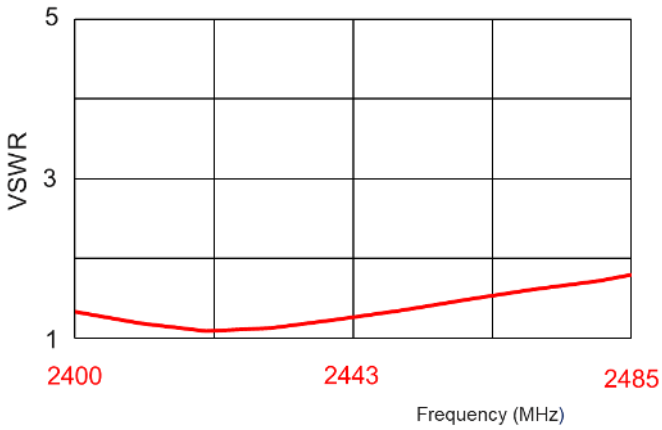
SPECIFICATIONS

Frequency Range (MHz)	2400-2483.5
VSWR	< 1.8:1
Average Efficiency	60%
Peak Gain	1.0dBi
Average Gain	-2.3dBi
Power Handling	10 Watt cw
Feed Point Impedance	50 ohms unbalanced
Polarization	Linear
Size	8.45 mm x 6.4 mm x 0.79 mm
Weight	< 0.2 g
Mounting	SMT
Operating Temperature	-40 to +85°C
Storage Temperature	-40 to +85°C
Packaging Specification	Bag & Box
Hazardous Materials	A certificate of conformance is available from the product page on TE website.

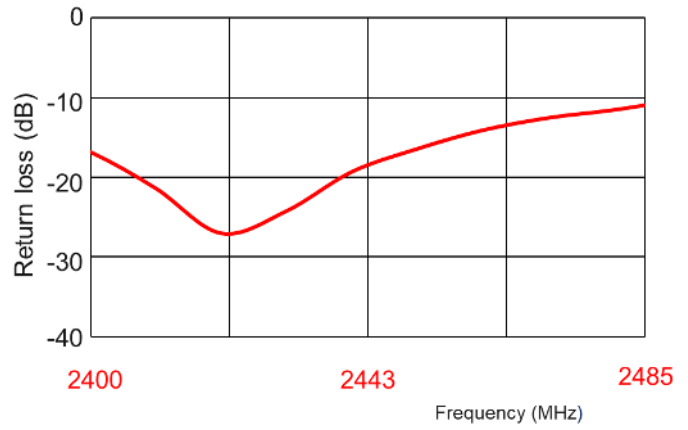
Data measured in free space and on reference ground plane of 29 mm length and 27 mm width, application data might vary

RF DATA

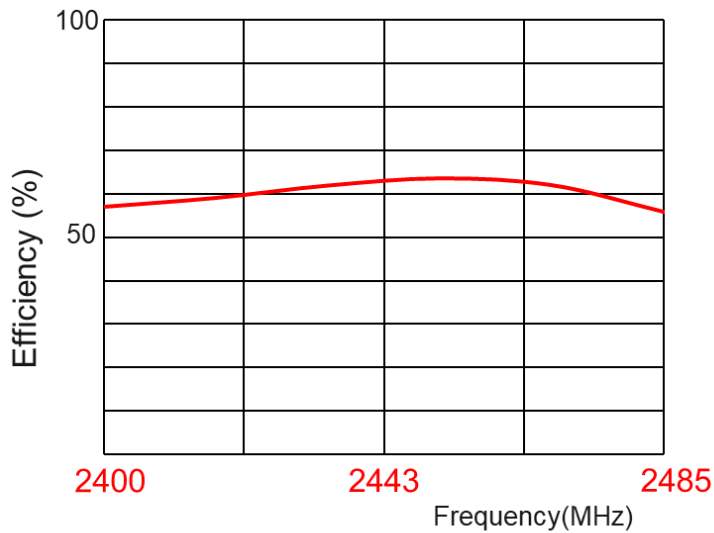
VSWR



Return Loss



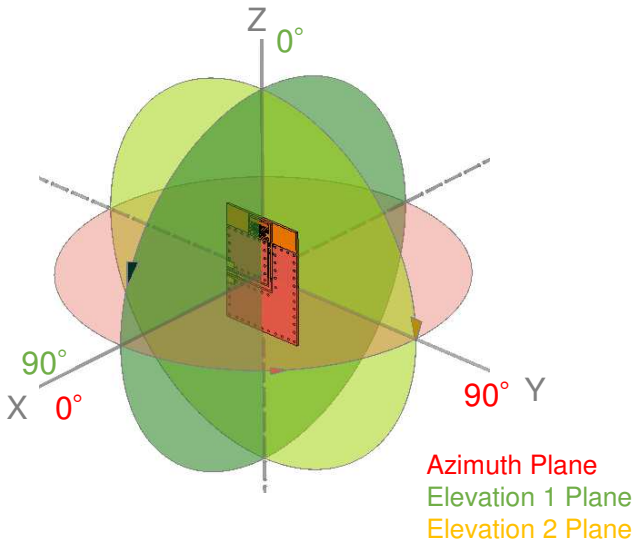
Efficiency



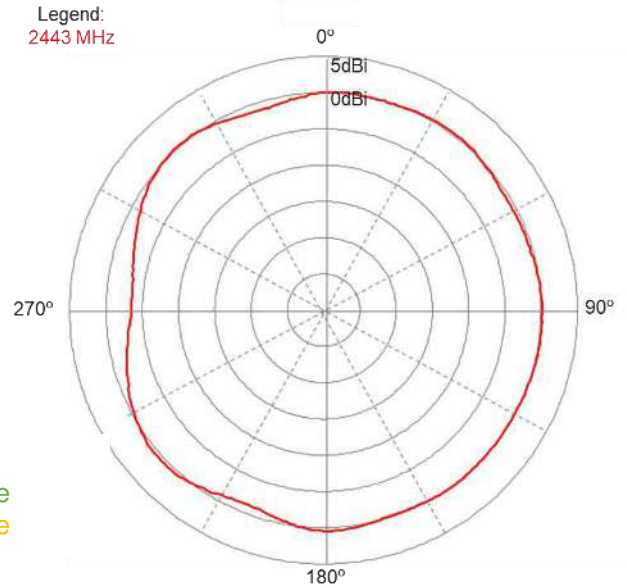
Data measured in free space and on reference ground plane of 29 mm length and 27 mm width, application data might vary

RADIATION PATTERN

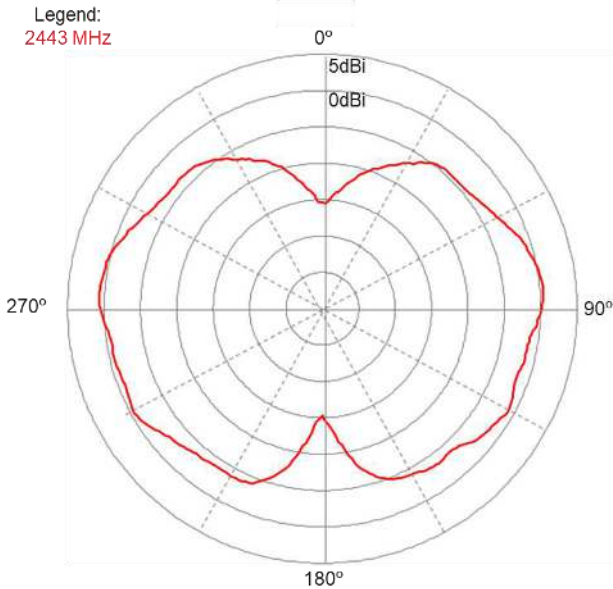
Test setup



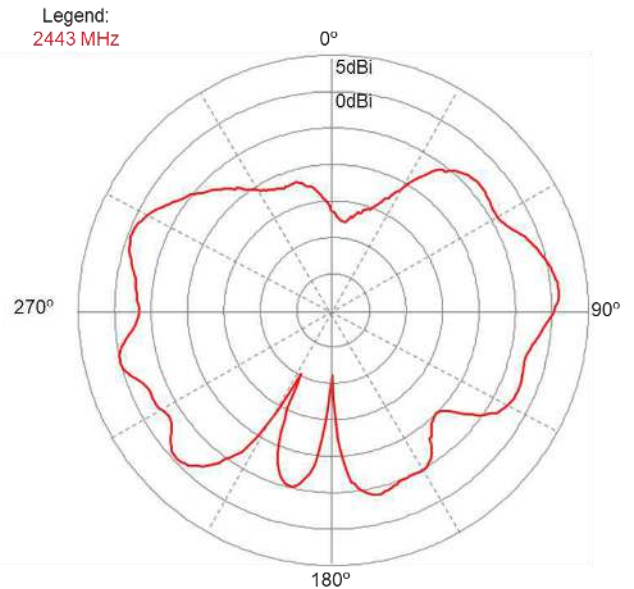
Azimuth



Elevation 1

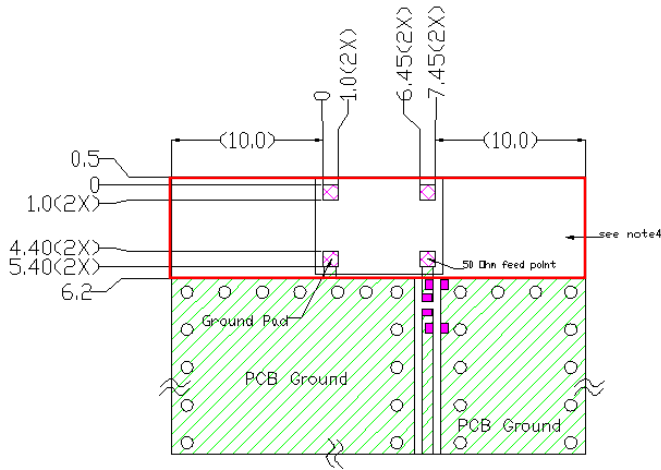



Elevation 2



Data measured in free space and on reference ground plane of 29 mm length and 27 mm width, application data might vary

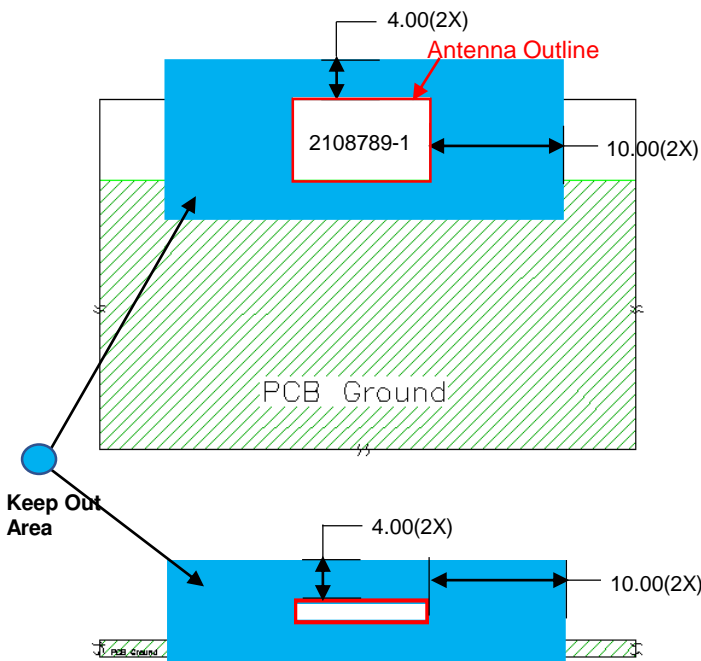
MOUNTING GUIDE



- NOTES: 1. Suggested matching component pads.
 2. Antenna must be mounted on the edge of PCB.
 3. NC = No connection (mechanical mounting pads).
 4. No copper allowed in designated area on all PCB layers – 
 5. For more information please call TE.

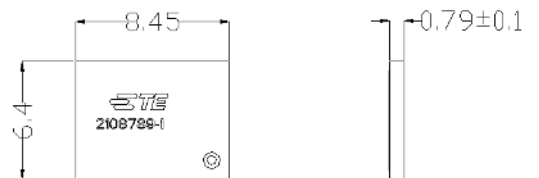
Dimension: mm
 Diagrams is not into scale

KEEP OUT AREA



Dimension: mm
 Diagrams is not into scale

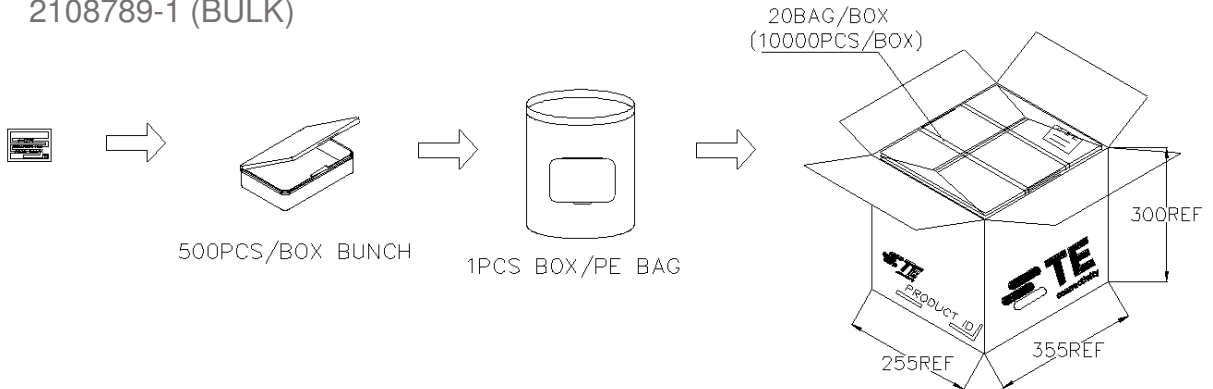
DIMENSIONS



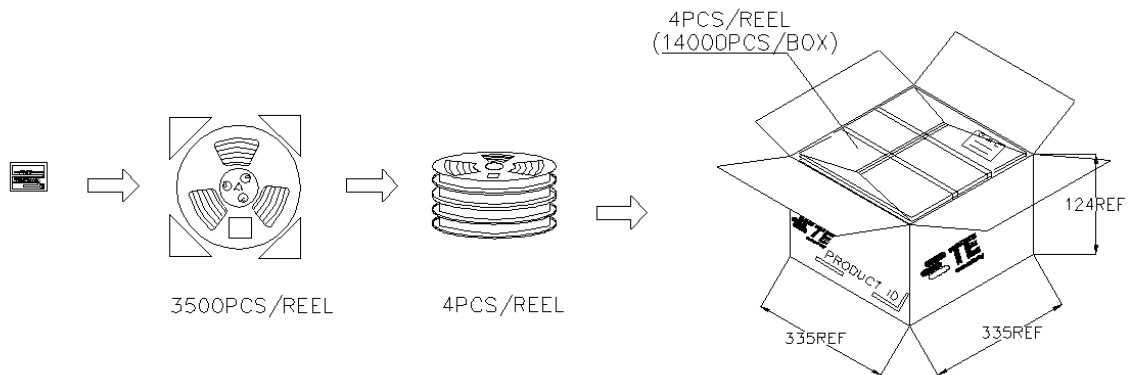
Dimension: mm
 Diagrams is not into scale

PACKAGING

2108789-1 (BULK)



2108789-2 (TAPE & REEL)



TE TECHNICAL SUPPORT CENTER

- USA: +1 (800) 522-6752
- Canada: +1 (905) 475-6222
- Mexico: +52 (0) 55-1106-0800
- Latin/S. America: +54 (0) 11-4733-2200
- Germany: +49 (0) 6251-133-1999
- UK: +44 (0) 800-267666
- France: +33 (0) 1-3420-8686
- Netherlands: +31 (0) 73-6246-999
- China: +86 (0) 400-820-6015

For phone numbers in other countries, go to te.com/support-center

te.com

TE Connectivity, TE Connectivity (logo) are trademarks. All other logos, products and/or company names referred to herein might be trademarks of their respective owners.

The information given herein, including drawings, illustrations and schematics which are intended for illustration purposes only, is believed to be reliable. However, TE Connectivity makes no warranties as to its accuracy or completeness and disclaims any liability in connection with its use. TE Connectivity's obligations shall only be as set forth in TE Connectivity's Standard Terms and Conditions of Sale for this product and in no case will TE Connectivity be liable for any incidental, indirect or consequential damages arising out of the sale, resale, use or misuse of the product. Users of TE Connectivity products should make their own evaluation to determine the suitability of each such product for the specific application.

© 2020 TE Connectivity Ltd. family of companies All Rights Reserved.

08/2020