

LEAD-FREE P/N	DIM A	DIM B	DIM C	DIM D	DIM L	CABLE TYPE	IMPEDANCE
71634-X12LF	1.05	1.70	2.25	3.20	10.4	RG178 B/U RG196 A/U	75 Ohm
71634-X22LF	1.70	2.70	3.20	3.80	10.4	RG174 A/U RG179 B/U RG187 A/U RG187 A/URG316 /U	75 Ohm
71634-X32LF	1.70	2.70	3.55	4.30	10.4	LG10/9-19	75 Ohm
71634-X42LF	2.20	3.20	4.10	5.00	10.4	GPT CABLE	75 Ohm

NOTES:

1. UNDERPLATING Ni.
2. GENERAL TOLERANCE ±0.10
3. FIXING CLIP PLATED WITH GOLD FLASH FOR IDENTIFICATION PURPOSES.

	1	1.3 µm Au MIN	1.3 µm Au MIN
PLATING CODE X	PLATING CONTACT AREA 3	PLATING CONTACT AREA 4	

NOTE: RoHS INFORMATIONS

- The "LF" product meets European union Directives and other country regulations as described in GS-22-008.
- The product is not intended to be exposed to a manufacturing solder process.
- Packaging spec: see GS-14-920.

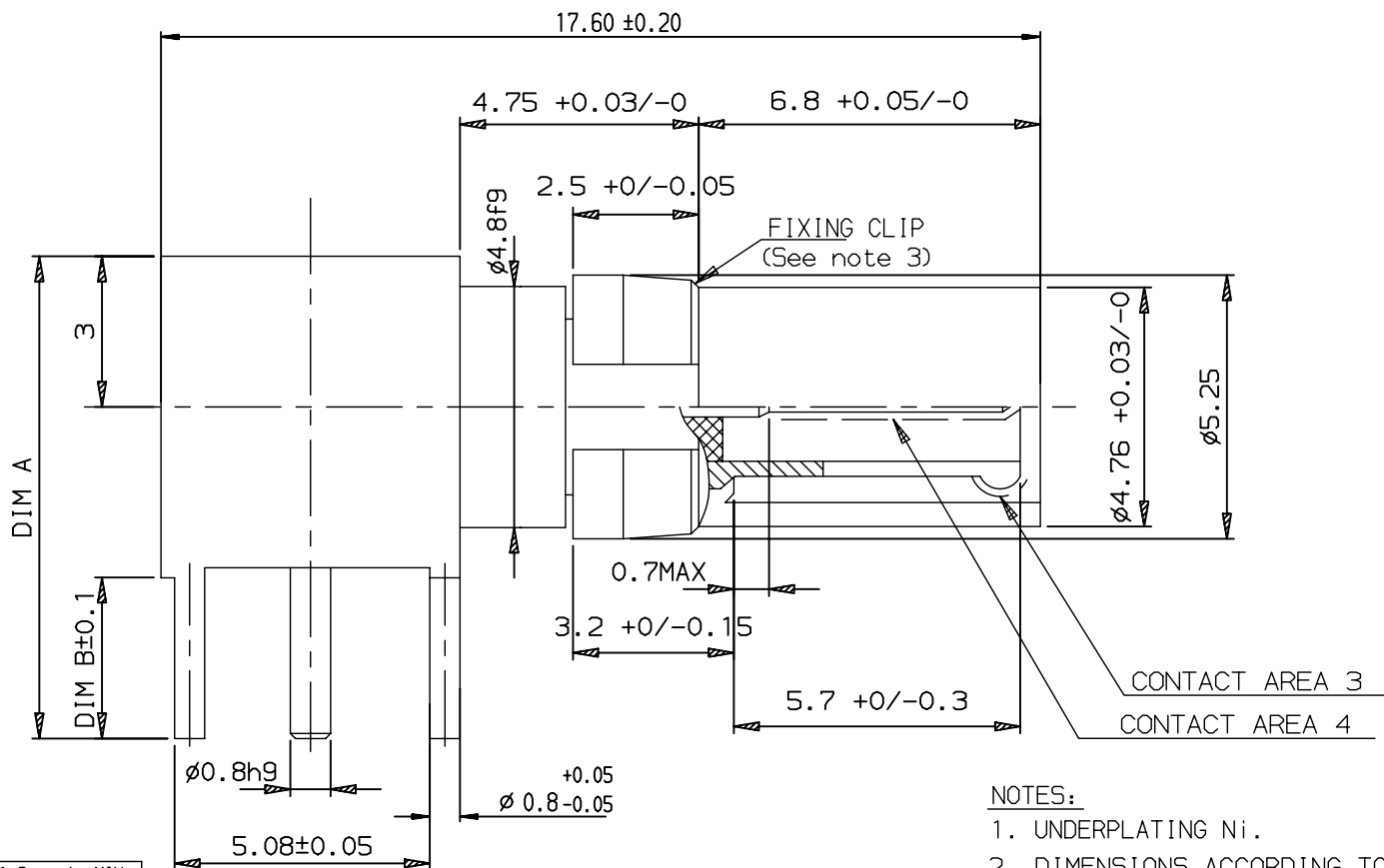
CONTACT AREA 2

CONTACT AREA 1

European Views

www.fciconnect.com		surface ISO 1302 ✓	tolerance std ISO 406 ISO 1101	projection ⊕	mm
TOLERANCES UNLESS OTHERWISE SPECIFIED					
Dr	GOISNARD	2006/11/05	ANGULAR	0.X ±0.1	size A3
Eng	GOISNARD	2006/11/05	LINEAR	0.XX ±0.1	Scale 8
Chr	LEGARE	2006/11/05	0.XX ±2°	0.XXX ±0.1	ECN LS08-0057
Appr	LEGARE	2006/11/05	Product family	BACKPANEL	Spec ref -
FCj		title DIN COAX RCP STR CTW INSERT		dwg no 71634	Rev. N
catalog no		-		CUSTOMER	sheet 2 of 6

Copyright FCI. FCI



- NOTES:
1. UNDERPLATING Ni.
 2. DIMENSIONS ACCORDING TO DIN 41626
 2. GENERAL TOLERANCE ± 0.10
 3. FIXING CLIP PLATED WITH GOLD FLASH

1	1.3 μm Au MIN	1.3 μm Au MIN
PLATING CODE X	PLATING CONTACT AREA 3	PLATING CONTACT AREA 4

LEAD-FREE P/N	DIM A	DIM B	IMPEDANCE
71634-X03LF	9.6	3.2	75 Ohm
71634-X13LF	10.4	4.0	75 Ohm

NOTE:RoHS INFORMATIONS

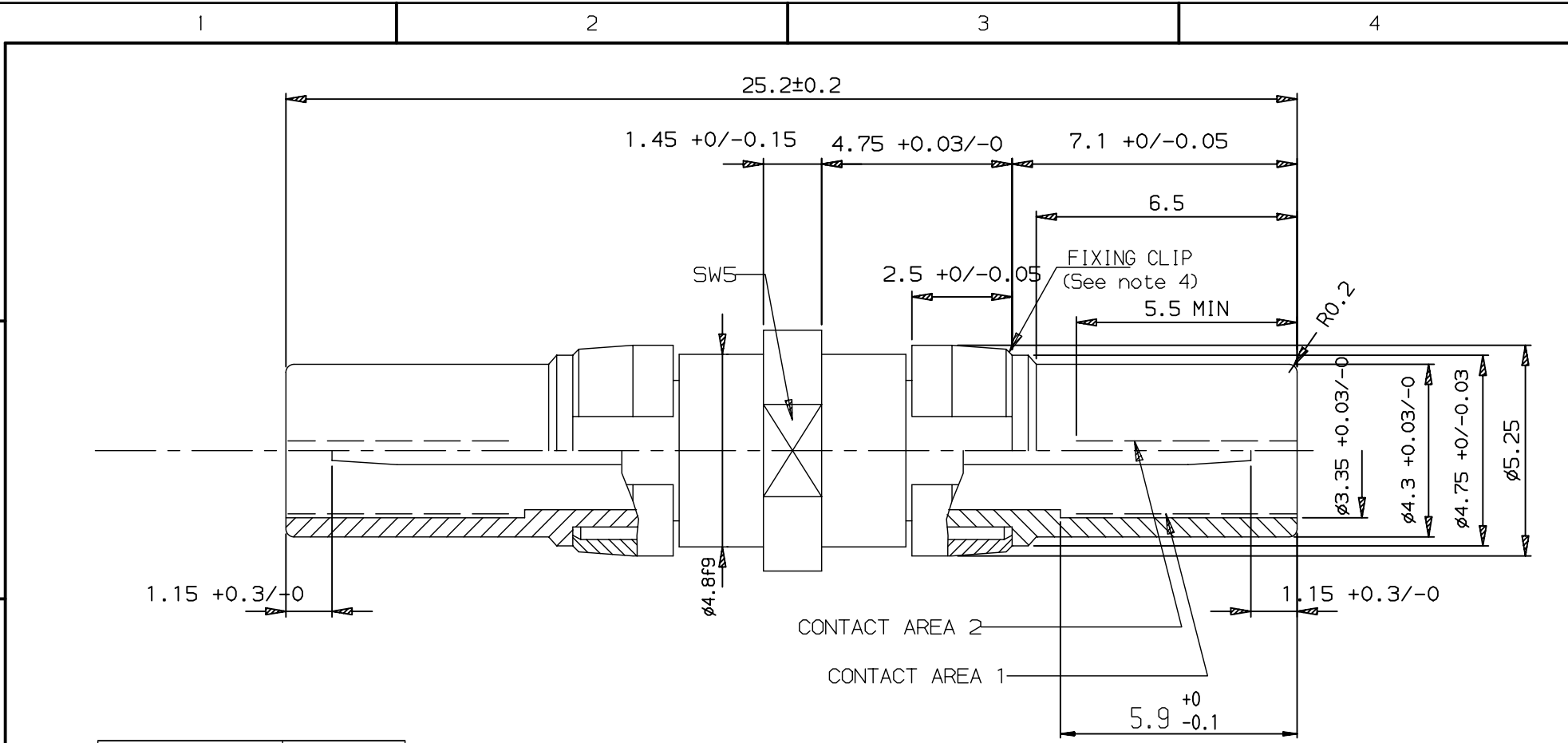
- The "LF" product meets European union Directives and other country regulations as described in GS-22-008.
- The product is not intended to be exposed to a manufacturing solder process.
- Packaging spec: see GS-14-920.

European Views

www.fciconnect.com		surface ISO 1302 <input checked="" type="checkbox"/>	tolerance std ISO 406 ISO 1101	projection 	mm
TOLERANCES UNLESS OTHERWISE SPECIFIED					
Dr	GOISNARD	2006/11/05	ANGULAR	0.X	± 0.1
Eng	GOISNARD	2006/11/05	LINEAR	0.XX	± 0.1
Chr	LEGARE	2006/11/05	0.XX' $\pm 2'$	0.XXX	± 0.1
Appr	LEGARE	2006/11/05	Product family	BACKPANEL	Spec ref -
		title DIN COAX HDR		dwg no 71634	
		RA STB INSERT		Rev. N	
catalog no		-		CUSTOMER sheet 3 of 6	

REV F - 2006-04-17

Copyright FCJ.



LEAD-FREE P/N	IMPEDANCE
71634-X04LF	75 Ohm

- NOTES:**
1. UNDERPLATING Ni.
 2. DIMENSIONS ACCORDING TO DIN 41626
 3. FIXING CLIP PLATED WITH GOLD FLASH FOR IDENTIFICATION PURPOSES.

1	1.3 µm Au MIN	1.3 µm Au MIN
PLATING CODE X	PLATING CONTACT AREA 1	PLATING CONTACT AREA 2

NOTE:RoHS INFORMATIONS

- The "LF" product meets European union Directives and other country regulations as described in 65-22-008.
- The product is not intended to be exposed to a manufacturing solder process.
- Packaging spec: see 65-14-920.

European Views

www.fciconnect.com		surface ISO 1302 ✓	tolerance std ISO 406 ISO 1101	projection mm
TOLERANCES UNLESS OTHERWISE SPECIFIED				
Dr	GOISNARD	2006/11/05	ANGULAR	0.X ±0.1
Eng	GOISNARD	2006/11/05	LINEAR	0.XX ±0.1
Chr	LEGARE	2006/11/05	0.XX' ±2'	0.XXX ±0.1
Appr	LEGARE	2006/11/05	Product family	BACKPANEL
			size	A3
			Scale	5
			ECN	LS08-0057
			Spec ref	-
		DIN COAX RCP COUPLER 75 MICRON SHORT		dwg no 71634
catalog no -		CUSTOMER		sheet 4 of 6
				Rev. N

1

2

3

4

A

B

C

D

A

B

C

D

32±0.2

8.4 +0/-0.1

4.75 +0.03/-0

7.1 +0/-0.05

6.5 +0/-0.1

2.5 +0/-0.05

FIXING CLIP
(See note 4)

R0.2

ø3.35 +0.03/-0

ø4.3 +0.03/-0

ø4.75 +0/-0.03

ø5.25

+0.3
2.3 -0

ø4.8f9

CONTACT AREA 2

CONTACT AREA 1

1.15 +0.3/-0

5.9 +0/-0.1

LEAD-FREE P/N	IMPEDANCE
71634-X05LF	75 Ohm

NOTES:

1. UNDERPLATING Ni.
2. DIMENSIONS ACCORDING TO DIN 41626
2. GENERAL TOLERANCE ±0.10
3. FIXING CLIP PLATED WITH GOLD FLASH FOR IDENTIFICATION PURPOSES.

1	1.3 µm Au MIN	1.3 µm Au MIN
PLATING CODE X	PLATING CONTACT AREA 1	PLATING CONTACT AREA 2

NOTE:RoHS INFORMATIONS

- The "LF" product meets European union Directives and other country regulations as described in 65-22-008.
- The product is not intended to be exposed to a manufacturing solder process.
- Packaging spec: see 65-14-920.

European Views

www.fciconnect.com		surface ISO 1302 ✓	tolerance std ISO 406 ISO 1101	projection ⊕	mm
TOLERANCES UNLESS OTHERWISE SPECIFIED					
Dr	GOISNARD	2006/11/05	ANGULAR	0.X ±0.1	size A3
Eng	GOISNARD	2006/11/05	LINEAR	±0.1	Scale 5
Chr	LEGARE	2006/11/05	0.XX ±2°	0.XXX ±0.1	ECN LS08-0057
Appr	LEGARE	2006/11/05	Product family	BACKPANEL	Spec ref -
FCj		title DIN COAX RCP COUPLER 75 MICRON LONG		dwg no 71634	Rev. N
catalog no		-		CUSTOMER	sheet 5 of 6

REV F - 2006-04-17

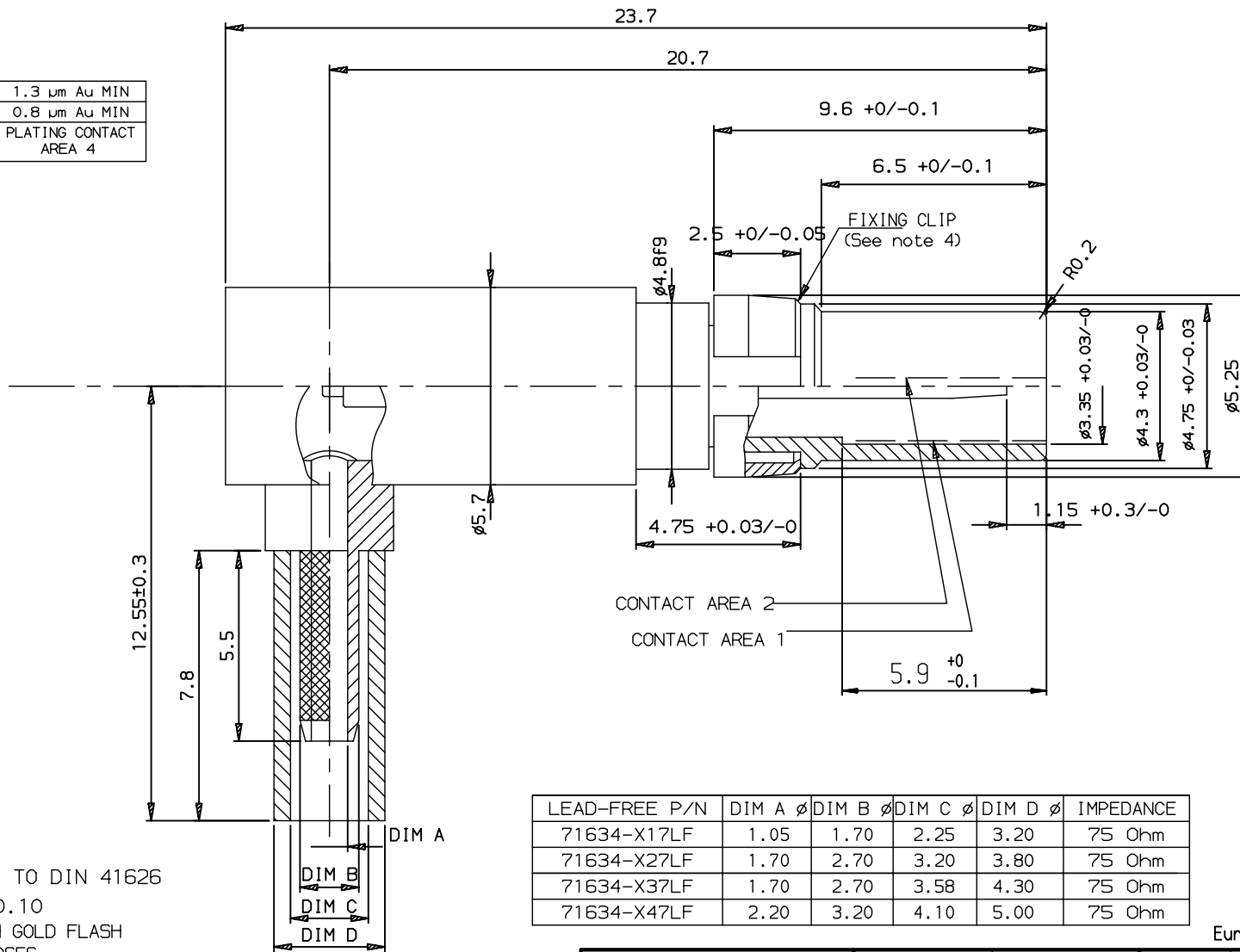
1

2

3

4

2	1.3 μm Au MIN	1.3 μm Au MIN
1	0.8 μm Au MIN	0.8 μm Au MIN
PLATING CODE X	PLATING CONTACT AREA 3	PLATING CONTACT AREA 4



LEAD-FREE P/N	DIM A ϕ	DIM B ϕ	DIM C ϕ	DIM D ϕ	IMPEDANCE
71634-X17LF	1.05	1.70	2.25	3.20	75 Ohm
71634-X27LF	1.70	2.70	3.20	3.80	75 Ohm
71634-X37LF	1.70	2.70	3.58	4.30	75 Ohm
71634-X47LF	2.20	3.20	4.10	5.00	75 Ohm

NOTES:

1. UNDERPLATING Ni.
2. DIMENSIONS ACCORDING TO DIN 41626
3. GENERAL TOLERANCE ± 0.10
3. FIXING CLIP PLATED WITH GOLD FLASH FOR IDENTIFICATION PURPOSES.

NOTE:RoHS INFORMATIONS

- The "LF" product meets European union Directives and other country regulations as described in G5-22-008.
- The product is not intended to be exposed to a manufacturing solder process.
- Packaging spec: see G5-14-920.

European Views

www.fciconnect.com		ISO 1302 <input checked="" type="checkbox"/>	tolerance std	projection	mm
		ISO 406 ISO 1101			
TOLERANCES UNLESS OTHERWISE SPECIFIED					
Dr	GOISNARD	2006/11/05	ANGULAR	0.X	± 0.1
Eng	GOISNARD	2006/11/05	LINEAR	0.XX	± 0.1
Chr	LEGARE	2006/11/05	0.XX' $\pm 2'$	0.XXX	± 0.1
Appr	LEGARE	2006/11/05	Product family	BACKPANEL	Spec ref -
		title		DIN COAX RCP	
		RA CTW		71634	
catalog no		-		CUSTOMER sheet 6 of 6	
		avg no		N	