

16X18X10 PREMIUM LINE



Features and Benefits

- Quality material – bases, opaque covers and clear covers are all made of high-impact, UV resistant polycarbonate.
- Flexible interior mounting – features the unique and patented Integra adjustable depth “T-Rail” back panel mounting system (back panel and adjustable brackets sold separately).
- Wide range of sizes, configurations and accessories provides capabilities for every application.
- Features multiple bosses for easy installation of devices and DIN rails.
- Standard color – light gray with a gloss finish.
- UL-50 / c-UL Listed (files # E229365, # E207562)



Mounting Feet



Mounting Flanges

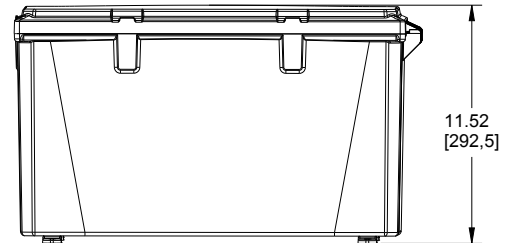
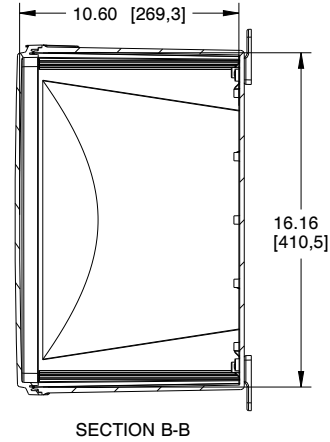
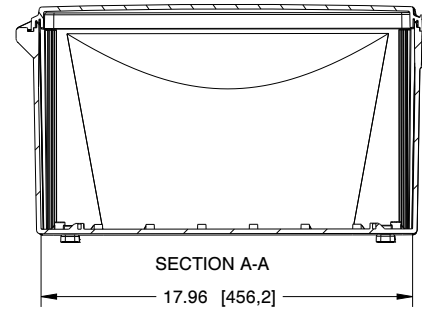
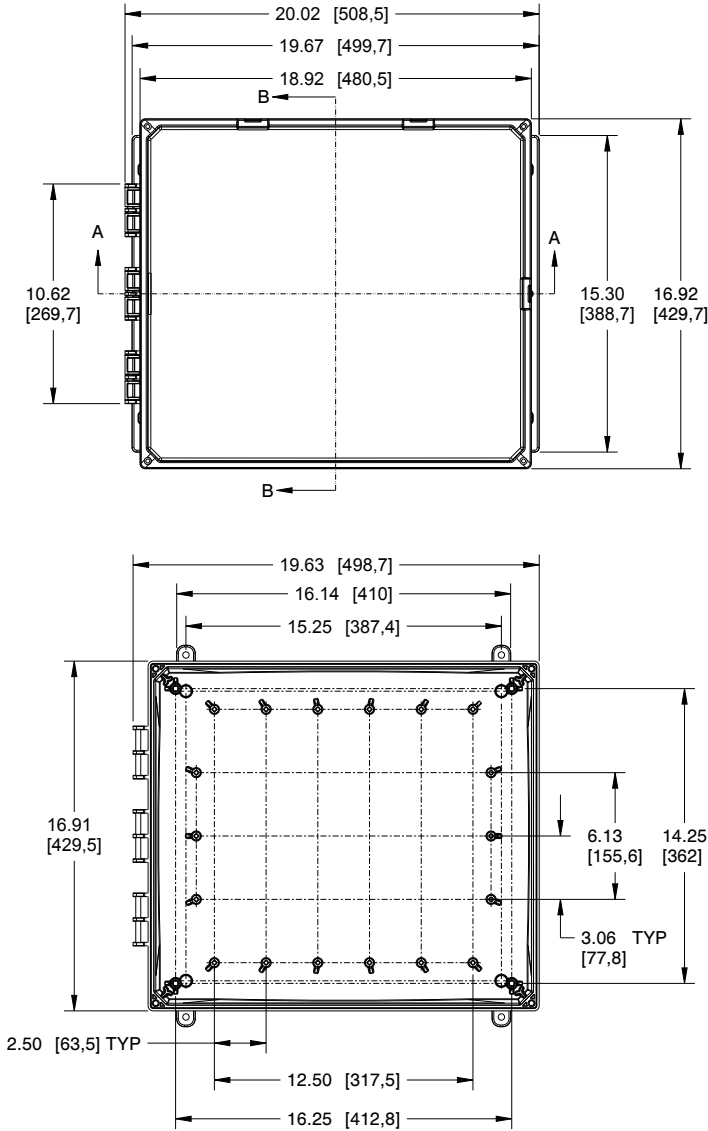


Mechanical and Thermal	Test Spec.	Unit	Premium Line
Instrumented Dart Impact @ 73° F		in-lbs.	565
Falling Ball Impact @ 73° F	UL-746	in-lbs.	900
Deflection Temperature @ 264 psi	ASTM D648	Deg. F	270
Modulus of Elasticity	ASTM D790	ksi	340
Temperature Range		Deg. F	-40 to 265
Flammable / UV Ratings	Test Spec.	Unit	Premium Line
Flame Rating - UL	UL 94	-	5VA
Outdoor UV Exposure	UL	-	F1

Part Number	4X IP66	6P IP68	Hinged Cover	Screw Cover	Opaque Cover	Clear Cover	Mounting Feet	Mounting Flange	Stainless Steel Locking Latch	Non-Metallic Locking Latch
H161810H	✓		✓	✓	✓		✓			
H161810HC	✓		✓	✓		✓	✓			
H161810HF	✓		✓	✓	✓			✓		
H161810HCF	✓		✓	✓		✓		✓		
H161810H-6P	✓	✓	✓	✓	✓		✓			
H161810HC-6P	✓	✓	✓	✓		✓	✓			
H161810HF-6P	✓	✓	✓	✓	✓			✓		
H161810HCF-6P	✓	✓	✓	✓		✓		✓		



16X18X10 PREMIUM LINE



[Bracketed measurements in mm] Register online to download this drawing at www.integraenclosures.com

Accessories for 16x18x10 (For complete accessories, see pages 75-79)



Back Panels

ABP1816 - Aluminum panel
SBP1816 - Steel panel
PVCBP1816 - PVC panel



Aluminum Swing Out Panels

ABP-1816-USOPK - Complete panel kit
ABP-1816USP - Aluminum swing out panels only
USOPK - Hardware only



Back Panel Adjustment Kit

BPAKG - Gray, Set Screw
BPAKB - Black, Set Screw
UBPAKG - Gray, Thumb Screw
UBPAKB - Black Thumb Screw



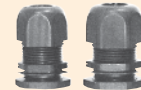
Air Vents / Fan Shrouds

VENT 3 - Aluminum louvered
VENT 2 - Outdoor labyrinth
FS KIT1 - 1 piece kit
FS KIT2 - 2 piece kit



Steel Swing Out Panels

SBP-1816-USOPK - Complete panel kit
SBP-1816USP - Steel swing out panels only
USOPK - Hardware only



Cord Grips

IP68/NEMA 4X/6P rated
See page 72 for more details and part numbers.



Din Rail

DIN 16 - 2 rails, 4 screws



Pole Mounting Kit

PMKG-216 - 2" pole
PMKG-316 - 3" pole
PMKG-416 - 4" pole
PMKG-1216 - 12" pole



Mounting Feet & Flange Kits

MFKG - Premium line feet
MFKSS - Stainless steel feet
MFLK16 - 16" Flange kit