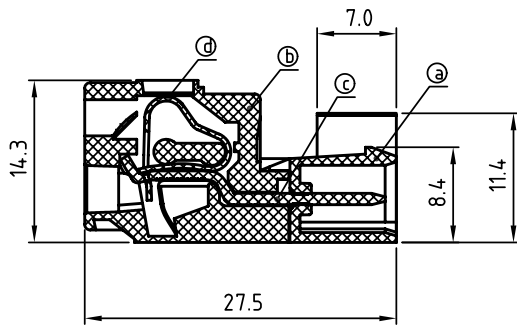
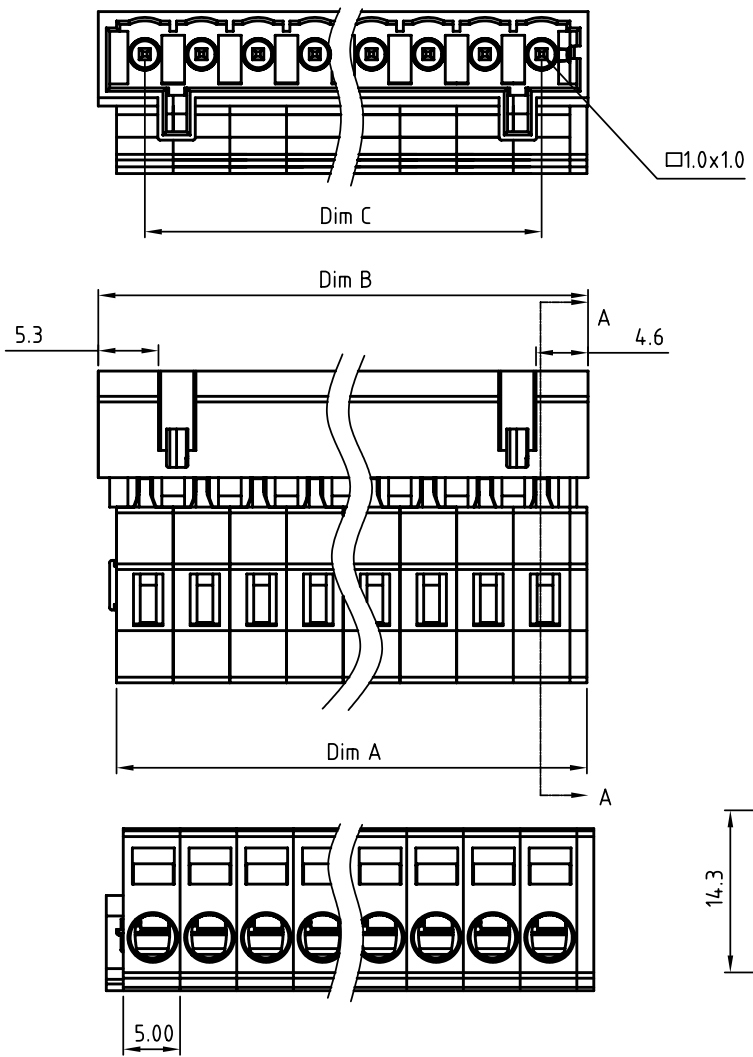


SIGN	DATE	DESCRIPTION	APPROVER
<b>THIS IS CAD DRAWING, DO NOT REVISE MANUALLY!!!</b>			



**Material:**

- Item a :Terminal body Thermoplastic (UL94 V-0)
- Item b :Terminal body Thermoplastic (UL94 V-0)
- Item c :Male contact pin: Brass Tin plated
- Item d :Spring clamp: Stainless steel

**Electrical**

- Voltage rating: 300V
- Current rating: 8A
- Wire range:
- Solid wire(AWG): 12-28
- Stranded wire(AWG): 12-28
- Wire strip length: 8-9mm
- Withstanding Voltage: 1.6KV
- Operating temperature: -40°C to +105°C
- Safety Approval: us

**NB xx 7 0 x 2 xxxx G**

RoHS  
Pb<40,000ppm

02 2 poles  
03 3 poles  
...  
24 24 poles

0 Black  
5 Green (RAL6018/T)  
6 Blue  
8 Grey (RAL7035/D)

0000 Standard @ Logo  
000A Standard ANY Logo  
Any special item by customer request, please contact sales department.

SECTION A-A

N = Number of poles  
Dim A=Nx5.0+1.5  
Dim B=Nx5.0+3.2  
Dim C=(N-1)x5.0

	Dim A	Dim B	Dim C
2-6p	±0.20	±0.20	±0.20
7-12p	±0.25	±0.25	±0.25
13-18p	±0.30	±0.30	±0.30
19-24p	±0.40	±0.40	±0.40

<b>ANYTEK</b>		<b>CUSTOMER COPY</b>			
		ALL RIGHTS RESERVED. REPRODUCTION OR ISSUE TO THIRD PARTIES IN ANY FORM WHATSOEVER IS NOT PERMITTED WITHOUT WRITTEN AUTHORITY FROM THE PROPRIETOR. PROPERTY OF ANYTEK TECHNOLOGY CO., LTD			
TITLE	NB 5.0mm series Hook holder				
PART NO.	NBxx70x2xxxxG		DWG NO.	8NB0005	
APPROVED	CHECKED	DESIGNED	DRAWN	CUST NO.	Tolerance
		Runner 2010.04.22	Runner 2010.04.22		X. ±0.50
					X.X ±0.30
					X.XX ±0.10
				SHEET: 01/01	X° ±1°
				UNIT: mm	
				SCALE: 2/1	
				REV.: B	